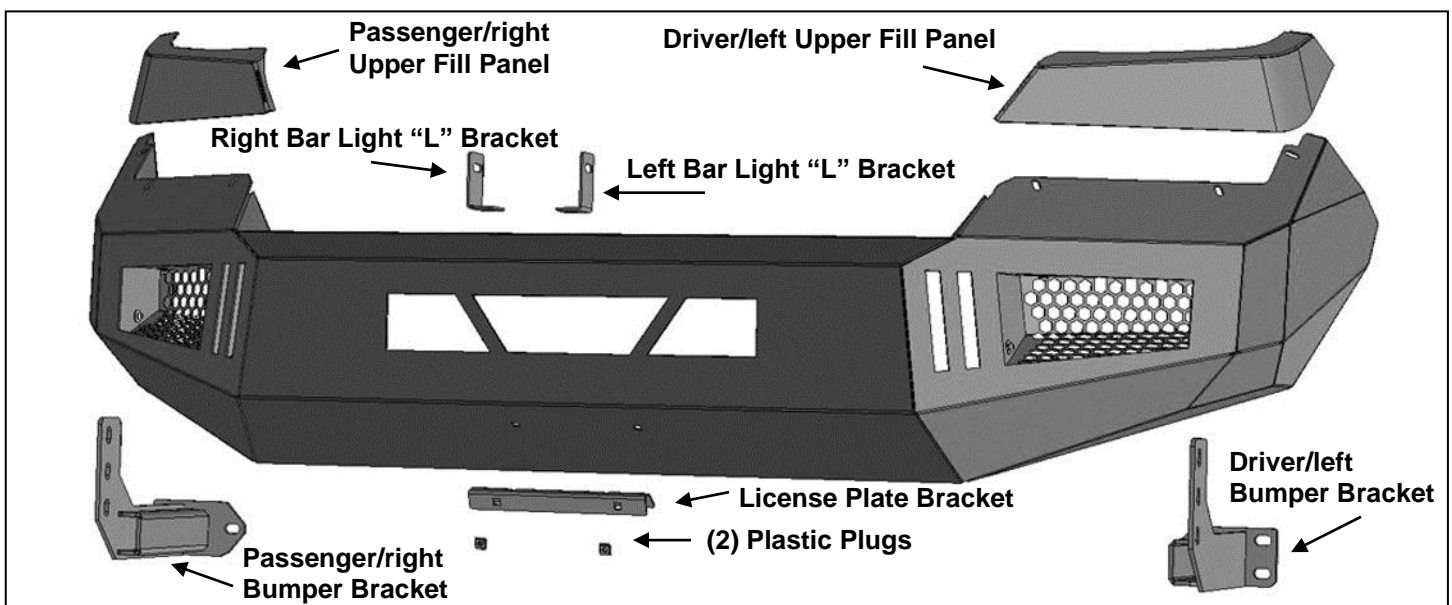


INSTALLATION INSTRUCTIONS
ARMOUR FRONT BUMPER FOR
2016 TOYOTA TACOMA
PART# AFB-TA16

PARTS LIST:

1	Front Bumper Assembly	2	8-1.25mm x 25mm Hex Bolts (LED light bar)
1	Driver/left Upper Fill Panel	6	8-1.25mm x 20mm Hex Bolts (Fill Panels)
1	Passenger/right Upper Fill Panel	2	8-1.25mm x 16mm Hex Bolts (LED light bar)
1	Driver/left Mounting Bracket	18	8mm x 24mm Flat Washers
1	Passenger/right Mounting Bracket	4	8mm Lock Washers (LED light bar)
1	Driver/left "L" Bracket (center LED light)	6	8mm Nylon Lock Nuts (Fill Panels)
1	Passenger/right "L" Bracket (center LED light)	2	8mm Hex Nuts (LED light bar)
1	License Plate Bracket	2	6mm x 20mm Button Head Bolts
2	Plastic Plugs for license plate mount	4	6mm x 18mm x 1.6 Flat Washers
6	10mm-1.5mm x 40mm Hex Bolts	2	6mm Nylon Lock Nuts
12	10mm x 24mm x 2mm Flat Washers	1	4mm Wrench
6	10mm Lock Washers	10	Nylon Wire Ties
6	10mm Hex Nuts	1	Edge Trim for Bumper



PROCEDURE:

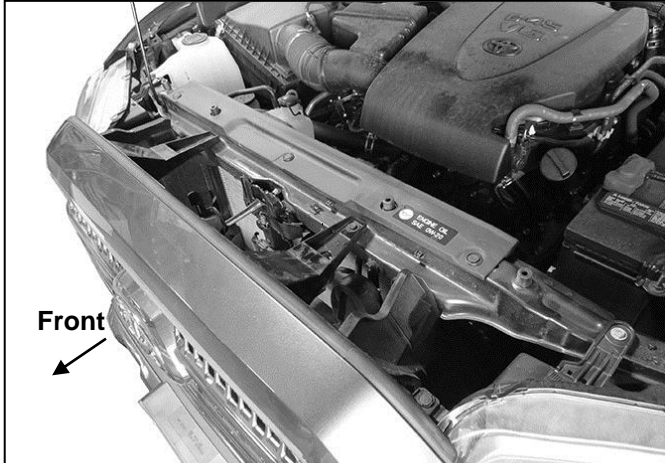
REMOVE CONTENTS FROM BOX. VERIFY ALL PARTS ARE PRESENT. READ INSTRUCTIONS CAREFULLY BEFORE STARTING INSTALLATION. BUMPER IS HEAVY, ASSISTANCE IS HIGHLY RECOMMENDED TO AVOID POSSIBLE INJURY OR DAMAGE TO THE VEHICLE. CUTTING IS REQUIRED.

1. Remove the license plate and bracket. Open the hood and remove the plastic cover from the top of the radiator and grille, **(Figure 1)**. Next, carefully remove the plastic grille, **(Figure 2)**. Remove the air dam from the bottom of the bumper.
2. On models with factory fog lights, unplug both lights. Release the wiring harness from the clips attached to the back of the bumper. Move harness away from bumper.
3. Carefully pull the front leading end of the fender flares to release from the bumper cover, **(Figure 3)**. The flares do not need to be fully removed, simply remove the front portion and leave the rest of the flare attached.
4. Remove the hardware attaching the plastic bumper cover at the top, ends and bottom. With assistance, pop the ends off of the inner clip and pull the bumper off and away from the vehicle. Remove the plastic bumper mount from below the passenger/right side headlight, **(Figure 3)**. Reinstall the factory hardware to secure the headlight to the vehicle. Repeat to remove the mount from the driver/left side of the vehicle.

5. Remove the plastic impact pads from the aluminum inner bumper, **(Figure 4)**. Next, remove the cross bar, plastic splash guards from both ends and the aluminum bumper brackets from the ends of the frame, **(Figure 5)**.
6. Select the passenger/right Frame Mounting Bracket, **(Figure 6)**. Reuse the factory hex nuts to attach the Bracket to the end of the frame, **(Figure 7)**. Repeat this Step to install the driver/left Frame Bracket.
7. Select the passenger/right Bumper Upper Fill Panel, **(Figure 8)**. Attach the Fill Panel to the top of the Bumper with (3) 8mm x 20mm Hex Bolts, (6) 8mm Flat Washers and (3) 8mm Nylon Lock Nuts. Line up the edges of the Fill Panel with the Bumper and full tighten the hardware. Repeat this Step to install the driver/left Fill Panel.
8. Apply the included Rubber Edge Trim as desired to top edge of Bumper, **(Figure 9)**.
9. With assistance, position the Bumper Assembly up to the outside of the Frame Brackets. Temporarily support the weight of the Bumper. **WARNING:** To avoid possible injury or damage to the vehicle, do not proceed until the bumper is fully and safely supported. Attach the Bumper to the passenger/right Bracket with the included (3) 10mm x 40mm Hex Bolts, (6) 10mm Flat Washers, (3) 10mm Lock Washers and (3) 10mm Hex Nuts, **(Figures 9 & 10)**. Leave hardware loose at this time. Repeat this Step to attach the driver/left side of the Bumper to the Bracket.
10. Level and adjust the bumper and fully tighten all hardware.
11. Cover the passenger/right plastic fender flare with removable tape, (masking tape for example). Hold the fender flare in position on the fender and over the end of the Bumper. Draw a straight line onto the tape to match where the end of the fender and Bumper meet, **(Figure 11)**. Use a sharp knife or hacksaw blade to carefully cut the leading end off of the flare along the line. Reattach the fender flare to the fender. Repeat to cut the driver/left fender flare.
12. If front license plate is required, attach the License Plate Bracket to the holes in the bumper with the included (2) 6mm x 20mm Button Head Screws, (4) 6mm Flat Washers and (2) 6mm Nylon Lock Nuts, **(Figure 12)**. Insert (2) Plastic Plugs into the square holes in the Bracket. Reuse the factory screws to attach the license plate to the plastic plugs, **(Figure 12)**.
13. **Center LED light installation** (sold separately).
 - a. Select the L/R "L" Brackets, **(Figure 13)**. Attach the Brackets to the top of the (2) mounting tabs welded onto the back of the bumper with the included 8mm x 25mm Hex Bolts, (4) 8mm Flat Washers, (2) 8mm Lock Washers and (2) 8mm Hex Nuts. Leave loose at this time.
 - b. Attach the LED light assembly to the "L" Brackets with the included (2) 8mm x 16mm Hex Bolts, (2) 8mm Lock Washers and (2) 8mm Flat Washers. Do not fully tighten hardware at this time. **IMPORTANT:** "L" Brackets are designed for 8mm light mounting hardware only. Modify "L" Brackets if necessary or use brackets supplied by your light manufacturer if possible to install hardware larger than 8mm.
 - c. Follow light manufacturer's instructions to properly wire the light.
14. **LED light installation at ends of bumper** (sold separately).
 - a. Insert light into opening and up to mounting slots. Check for clearance between front and back of light. If necessary, remove the screen from the back of the opening, **(Figure 14)**.
 - b. Follow the light manufacturer's instructions to attach (1) light to the center slot or (2) lights to the inner and outer slots in the top of the light opening, **(Figure 14)**. **IMPORTANT:** On two light systems, attach the flood light to the outer slot and the spot light to the inner slot.
 - c. Repeat the above steps for passenger side light installation.
 - d. Follow light manufacturer's instructions to properly wire the light.
15. Do periodic inspections to the installation to make sure that all hardware is secure and tight.

To protect your investment, wax this product after installing. Regular waxing is recommended to add a protective layer over the finish. Do not use any type of polish or wax that may contain abrasives that could damage the finish. Mild soap may be used to clean the Bumper assembly.

Passenger/right Installation Pictured



(Fig 1) Remove plastic cover from top of radiator



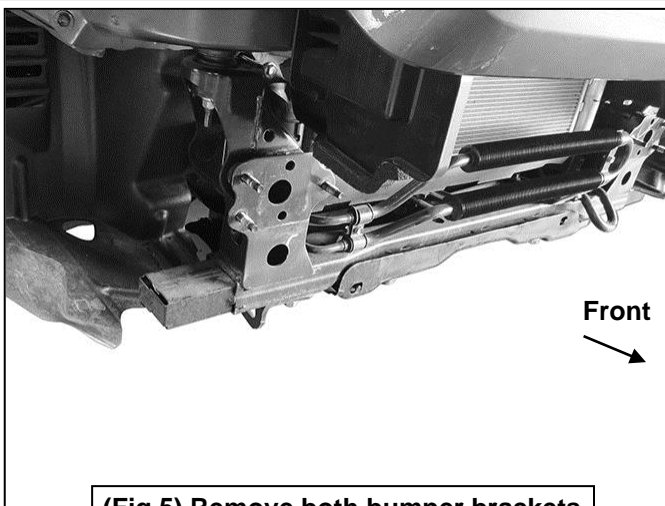
(Fig 2) Remove grille, air dam from below bumper and license plate. Remove plastic bumper cover



(Fig 3) Remove plastic block (arrow) from front edge of fender. Reinstall hardware to secure headlight

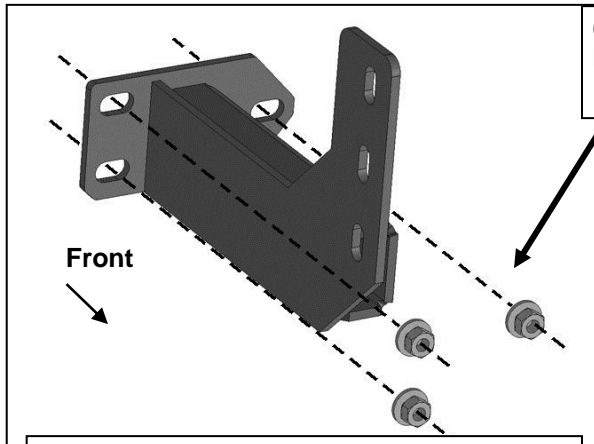


(Fig 4) Remove plastic impact bumper and aluminum crossbar from bumper brackets



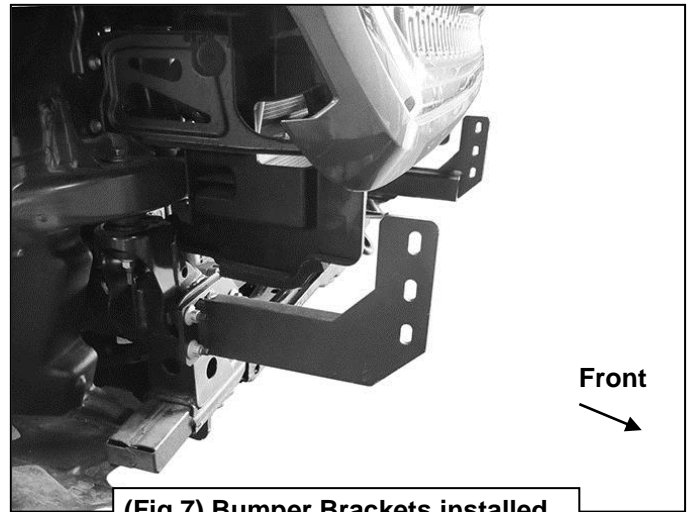
(Fig 5) Remove both bumper brackets

Passenger/right Installation Pictured

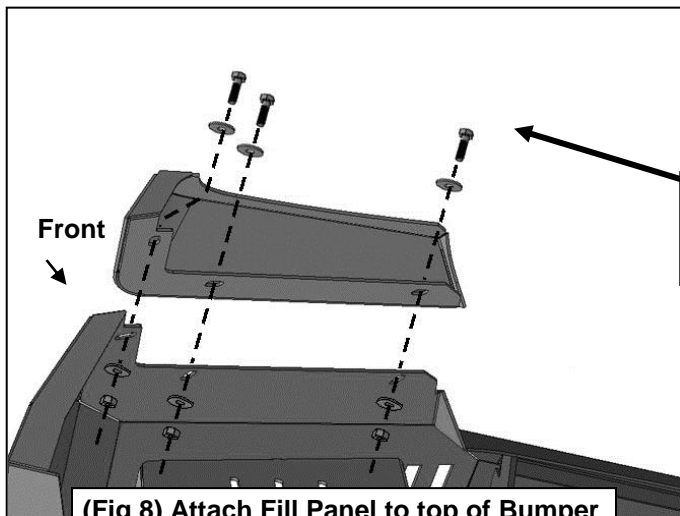


(Fig 6) Reuse factory hex nuts to attach Bumper Brackets

(Fig 6) Passenger/right Bracket illustrated



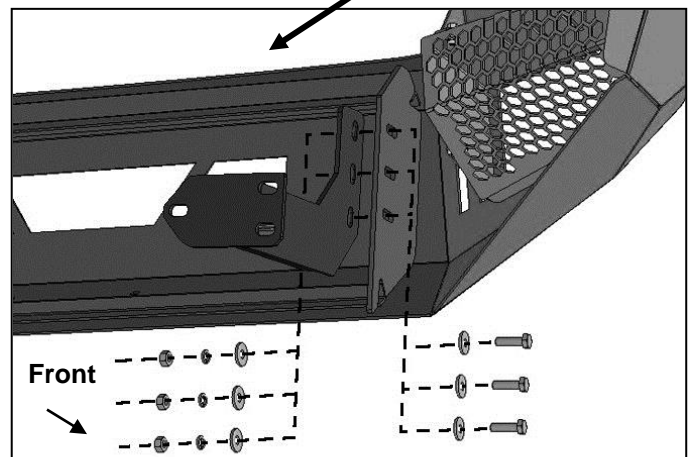
(Fig 7) Bumper Brackets installed



(Fig 8) Attach Fill Panel to top of Bumper

- (3) 8mm x 25mm Hex Bolts
- (6) 8mm Flat Washers
- (3) 8mm Nylon Lock Nuts

Apply Rubber Edge Trim along top edge (optional)



(Fig 9) Attach Bumper to Brackets

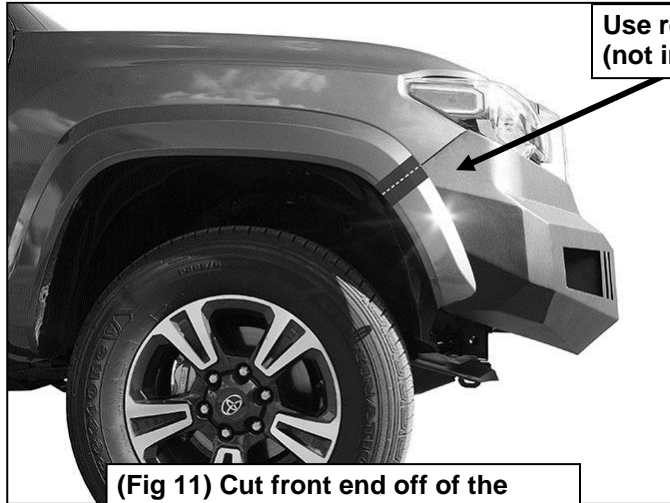
- (3) 10mm x 40mm Hex Bolts
- (6) 10mm Flat Washers
- (3) 10mm Lock Washers
- (3) 10mm Hex Nuts



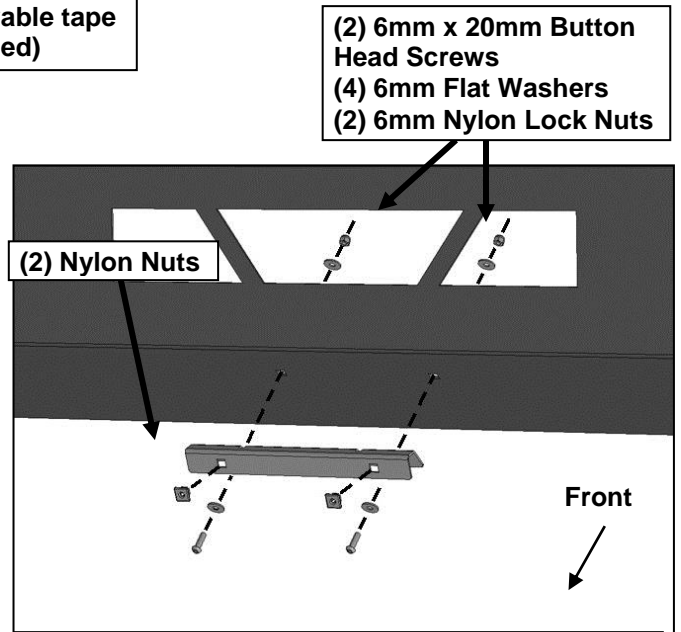
(Fig 10) Passenger/right side of Bumper attached to Bumper Bracket (pictured from below)

WARNING! Do not crawl under bumper unless the bumper is properly supported on blocks or stands or the bumper may fall.

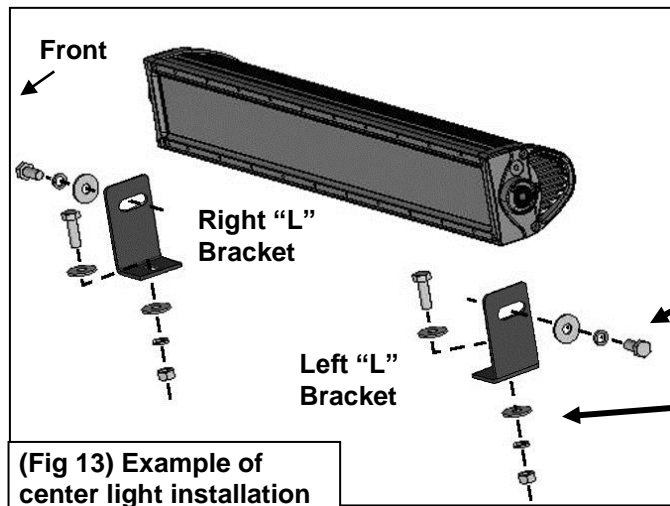
Passenger/right Installation Pictured



(Fig 11) Cut front end off of the fender flare to match up to Bumper



(Fig 12) Attach License Plate Bracket to Bumper



(Fig 13) Example of center light installation

