



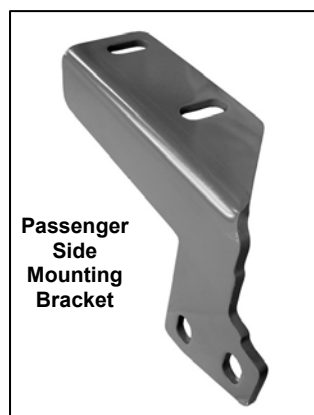
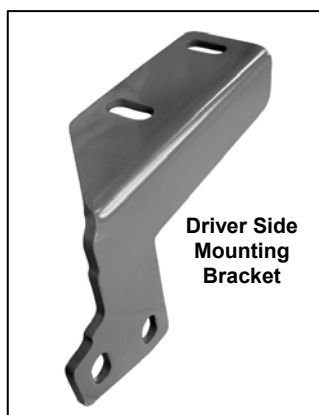
INSTALLATION INSTRUCTIONS

PART#: BB110410-SP\BB110410A-SP
BULL BAR FOR NISSAN PATHFINDER 08-On

TEL 1-866-XANATOS

PARTS LIST:

1	Bull Bar	4	12-1.25mm Hex Head Bolts
1	Driver/Left Mounting Bracket	4	12-1.75mm Hex Head Bolts
1	Passenger/Right Mounting Bracket	4	12mm Hex Nuts
		8	12mm Lock Washers
		12	12mm ID x 29mm OD x 3mm Flat Washers



PROCEDURE:

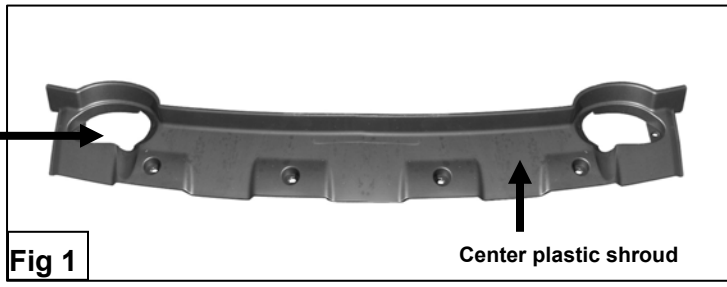
1. REMOVE CONTENTS FROM BOX. VERIFY ALL PARTS ARE PRESENT. READ INSTRUCTIONS CAREFULLY BEFORE STARTING INSTALLATION.
2. From underside of vehicle, use a 10mm socket wrench to remove the 6 bolts holding the center plastic shroud. Set center plastic shroud on a clean working area and use a hack saw to cut out the driver side tow hook cavity (**Figure 1**).
3. Remove the factory tow hook located on the passenger side (**Figure 2**). **NOTE:** You will not be re-installing tow hook.
4. Once you have cut out the driver side tow hook cavity of shroud, reinstall it back to the vehicle using the same factory hardware.
5. Locate the passenger side Mounting Bracket and partially hang it from factory threaded holes on the frame rail using the included (2) 12-1.25 x 35mm Hex Head Bolts (fine thread), (2) 12mm Lock Washers, and (2) 12mm Flat Washers (**Figure 3**). Repeat this step for driver side.
6. With help position Bull Bar on the outer side of Mounting Brackets. Attach Bull Bar to Mounting Brackets using the included (4) 12-1.75mm x 30mm Hex Head Bolts, (4) 12mm Lock Washers, (4) 12mm Hex Nuts, and (8) 12mm Flat Washers (**Figure 4**).
7. Align Bull Bar properly and then tighten all hardware.
8. Do periodic inspections to the installation to make sure that all hardware is secure and tight.

To protect your investment, wax this product after installing. Regular waxing is recommended to add a protective layer over the finish. Do not use any type of polish or wax that may contain abrasives that could damage the finish.

For stainless steel: Aluminum polish may be used to polish small scratches and scuffs on the finish. Mild soap may be used also to clean the Sidebar.

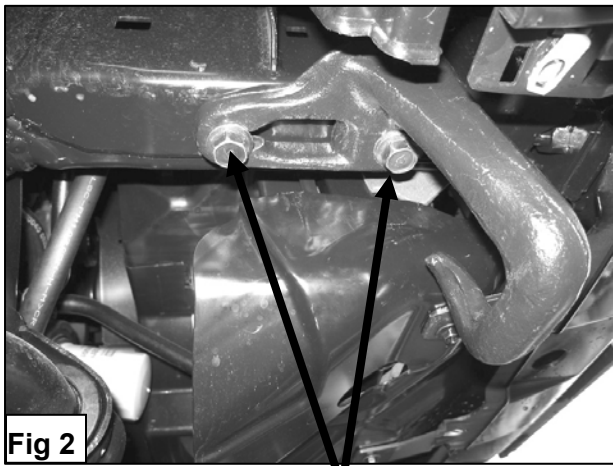
For gloss black finishes: Mild soap may be used to clean the Sidebar.

Cutout the driver side tow hook cavity

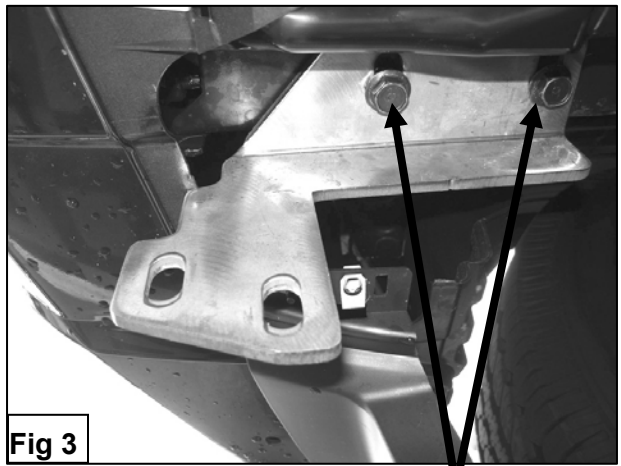


Center plastic shroud

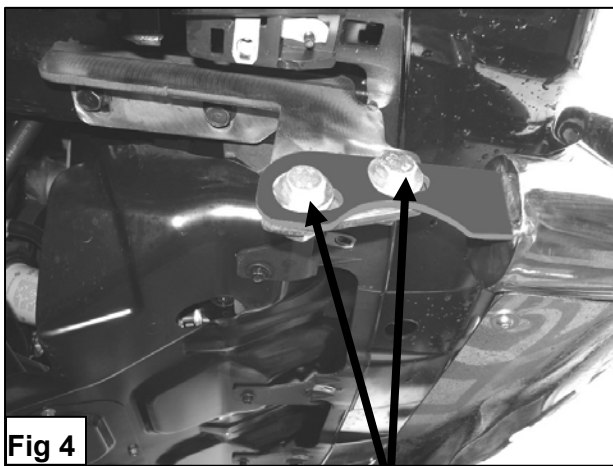
(Passenger Side Installation Shown)



Remove Factory Tow Hooks Bolts



Replace factory bolts with the included:
12-1.25 x 35mm Hex Bolts
12mm Lock Washers
12mm Flat Washers



12-1.75mm x 35mm Hex Bolts
12mm Lock Washers
12mm Hex Nuts
12mm Flat Washers

