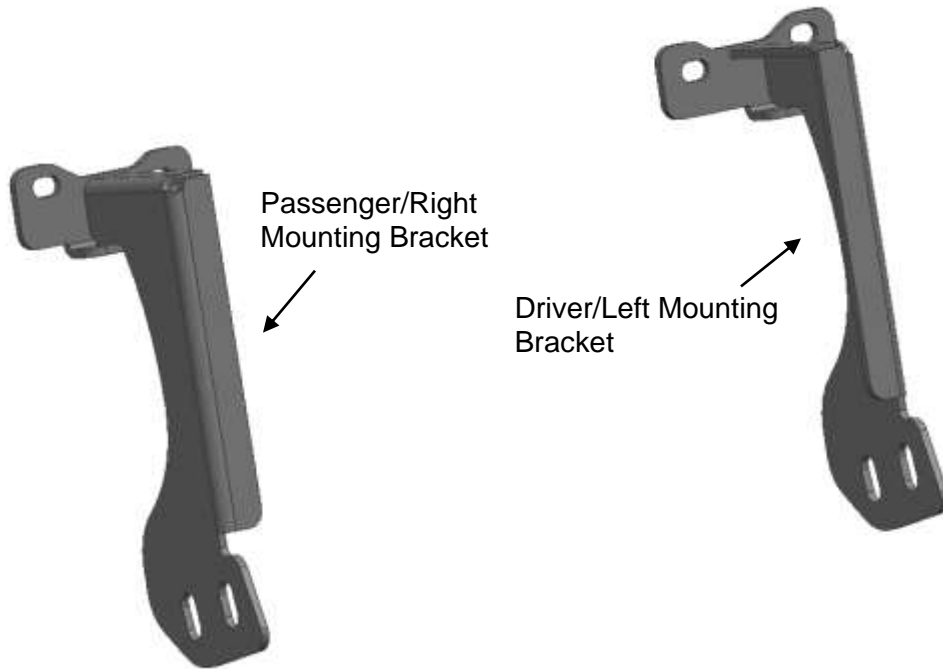




INSTALLATION INSTRUCTIONS
MAX BEACON BULL BAR FOR 2020 KIA TELLURIDE
PART # MAB-B7502B

PARTS LIST:

1	Driver/Left Mounting Bracket	8	Flat Washers D12 (12×37×3mm)
1	Passenger/Right Mounting Bracket	4	Hex Nuts M12
4	Spring Washers D8	4	Hex Bolts M8_40
4	Spring Washers D12	4	Hex Bolts M12_40
4	Flat Washers D8 (8×24×2mm)	4	Flat Washers D12 (12×29×5)

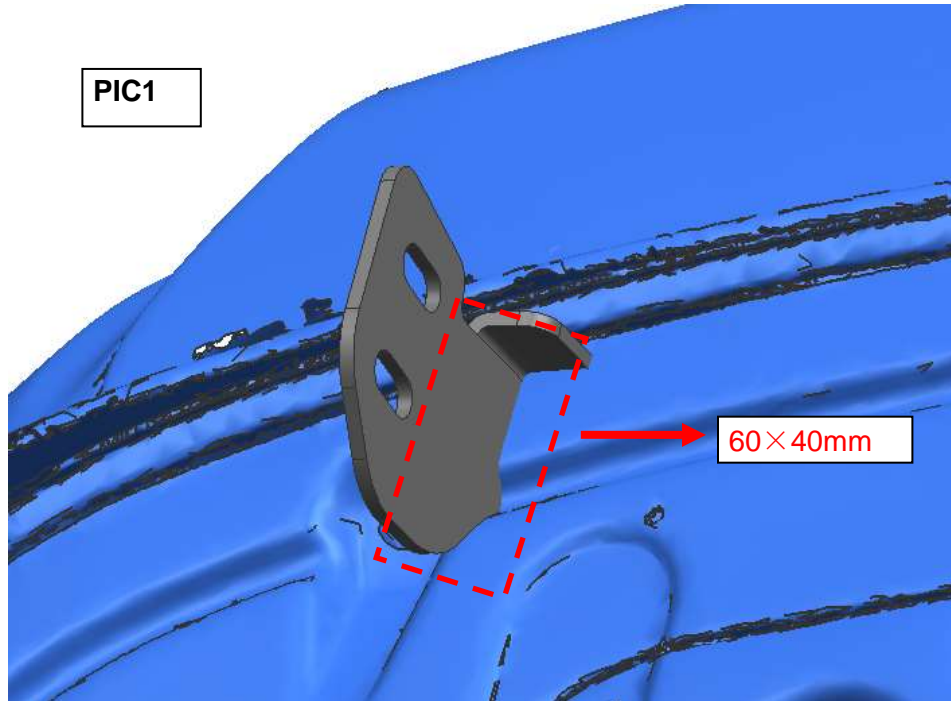
**PROCEDURE:**

REMOVE CONTENTS FROM BOX. VERIFY ALL PARTS ARE PRESENT. READ INSTRUCTIONS CAREFULLY BEFORE STARTING INSTALLATION. CUTTING IS REQUIRED. ASSISTANCE IS RECOMMENDED.

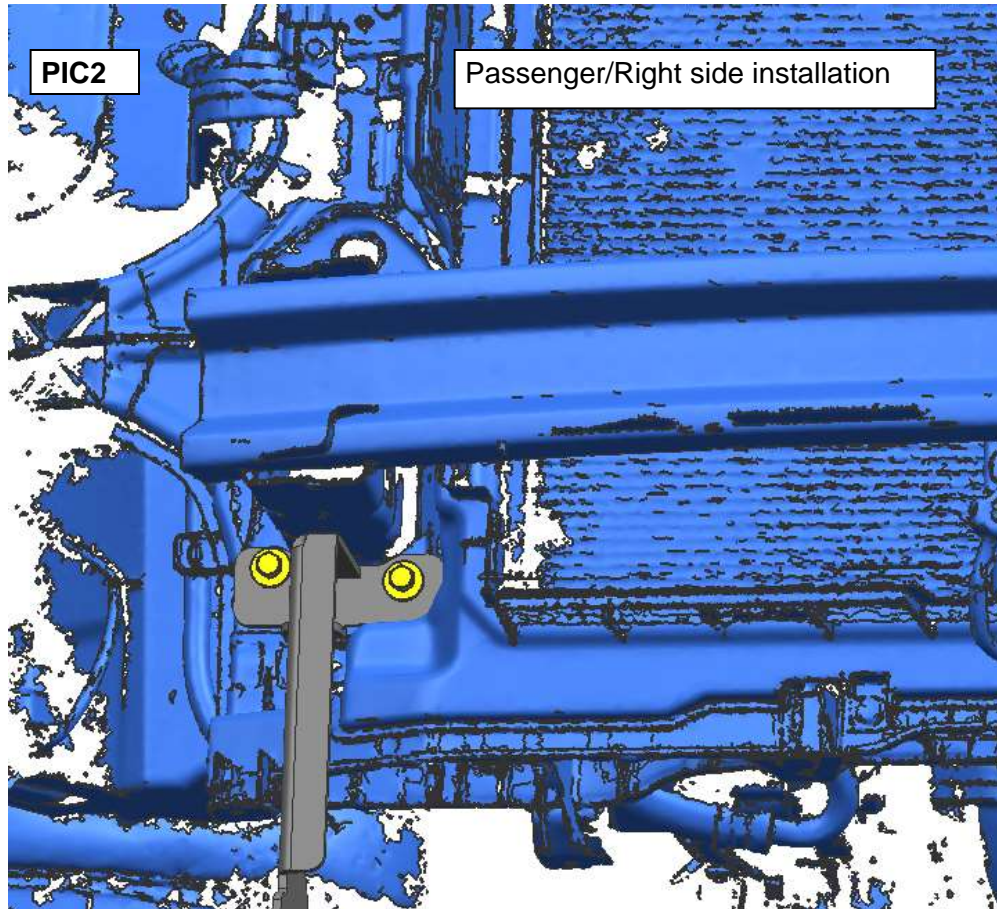
STEP 1: Convenient to install brackets with some tools, you'd better to remove the front bumper.

BRACKET INSTALLATION

STEP 2: Temporarily hold the amounting bracket up in position to determine correct area to cut. (The amounting position as PIC2), then cut interference place about 60X40mm as the following PIC1 shown. The installation is the same as both sides. **ALL MEASUREMENTS FOR REFERENCE ONLY-CHECK BEFORE CUTTING**



STEP 3: Install brackets into car chassis by accessories Flat Washers D8, Spring Washers D8, Hex Bolts M8_40 Flat Washers D12 as the PIC2&3 shown. The installation is the same as both sides.



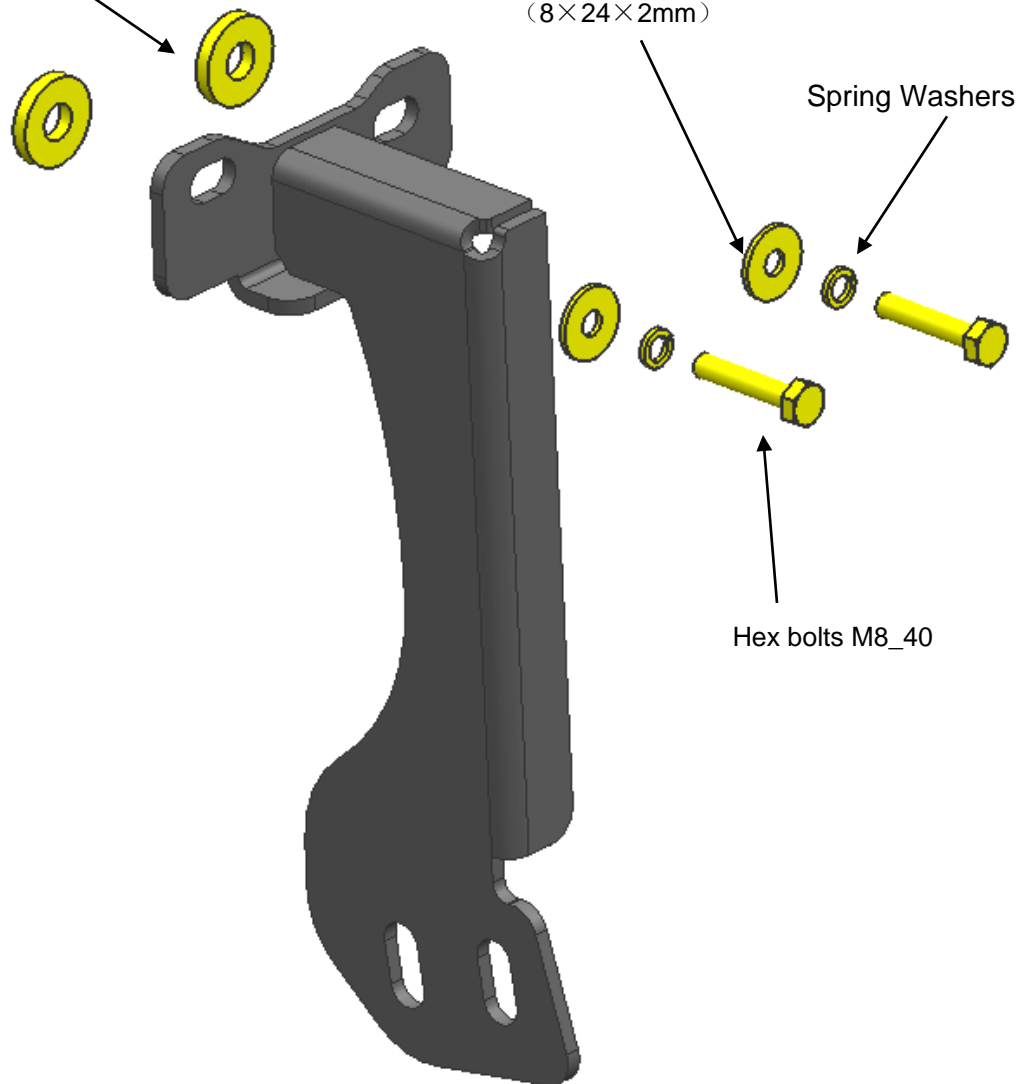
PIC3

Flat Washers D12
(12×29×5mm)

Flat Washers D8
(8×24×2mm)

Spring Washers D8

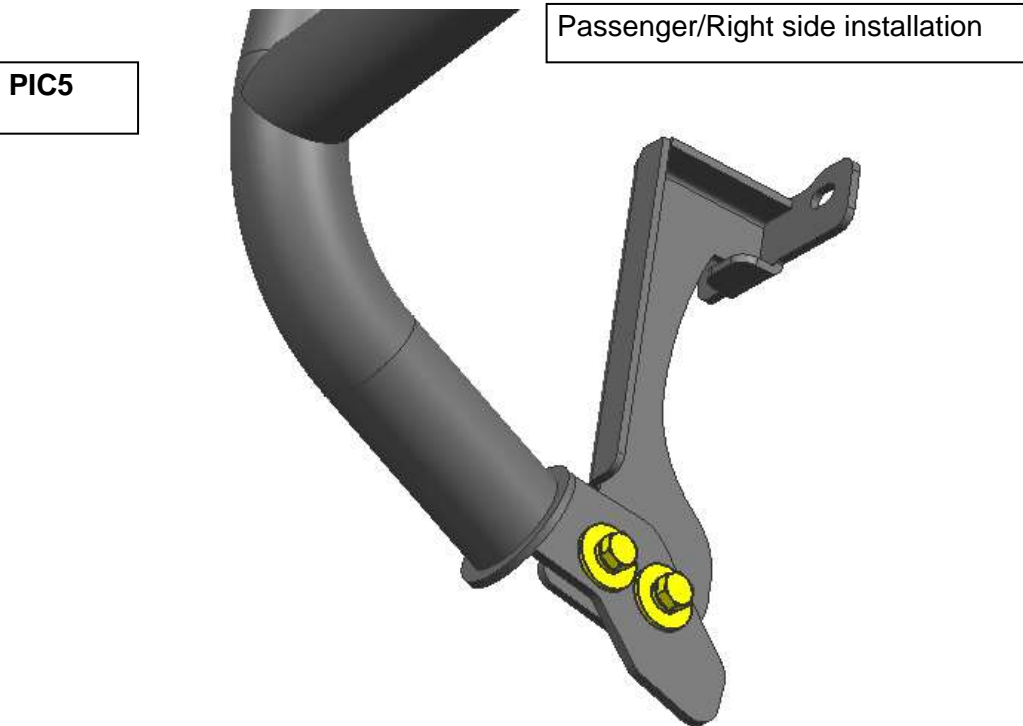
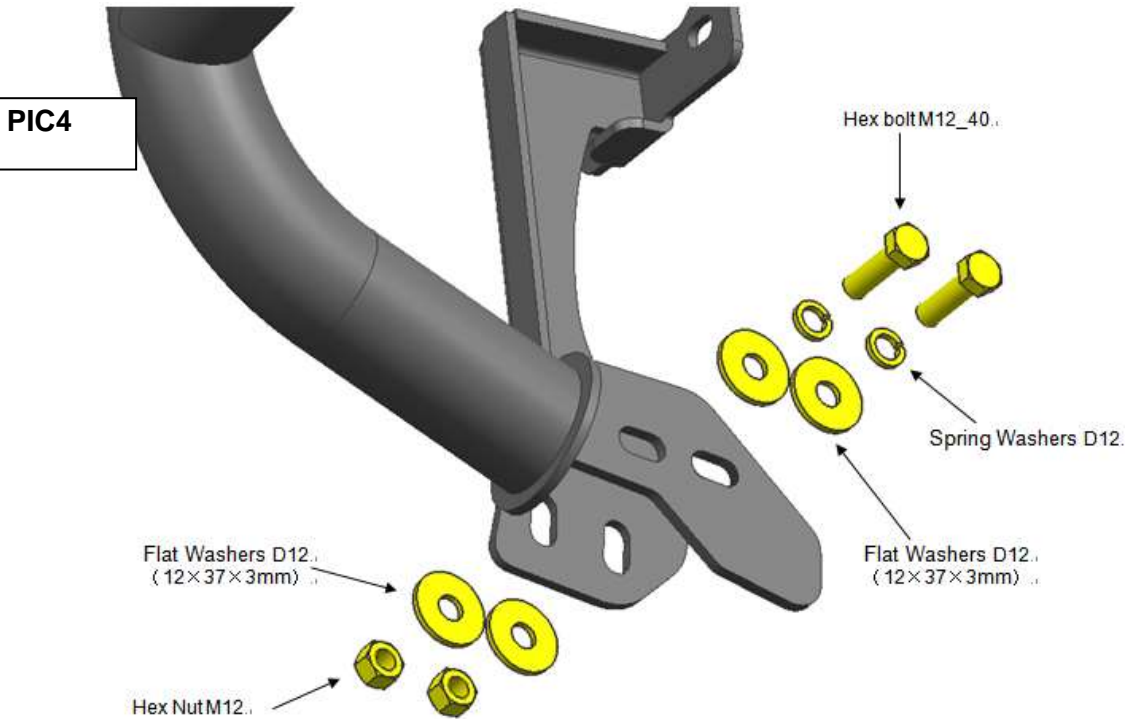
Hex bolts M8_40

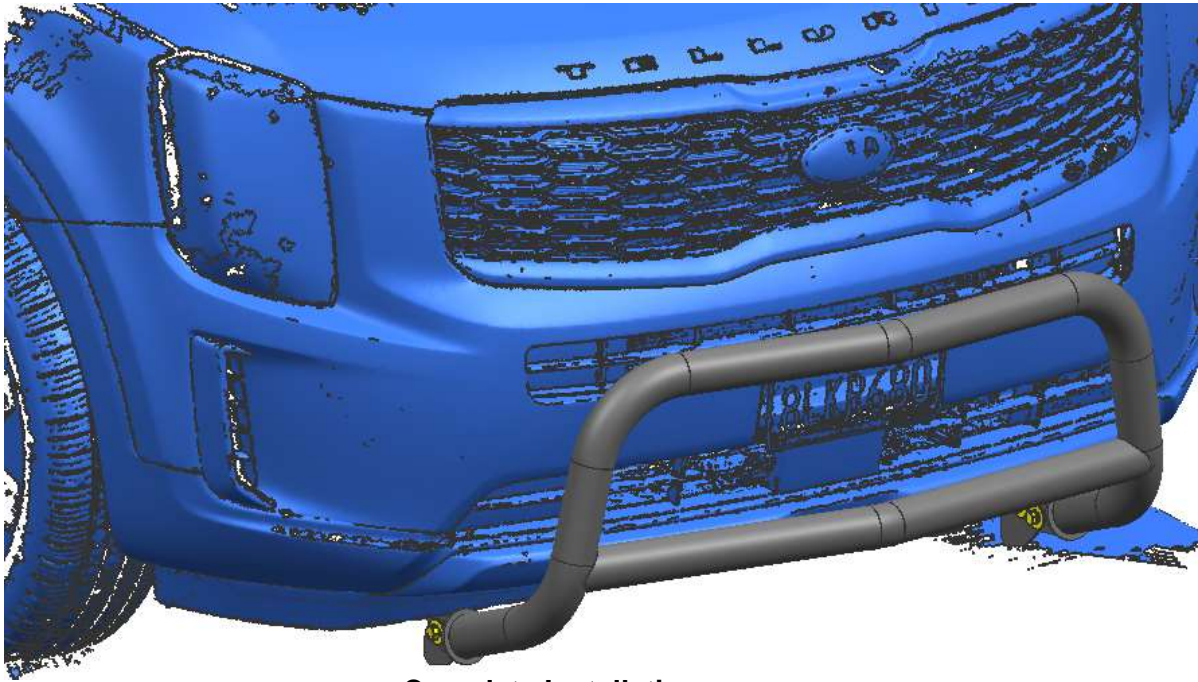


STEP 4: After installed brackets, reinstall the front bumper.

BULL BAR INSTALLATION

STEP 5: Install the bull bar with amount bracket with accessories Flat Washers D12, Spring Washers D12, Hex Bolts M12_40 and Hex Nut M12,adjust proper position, then tighten all the accessories.





Complete Installation