

INSTALLATION INSTRUCTION

HITCH STEP

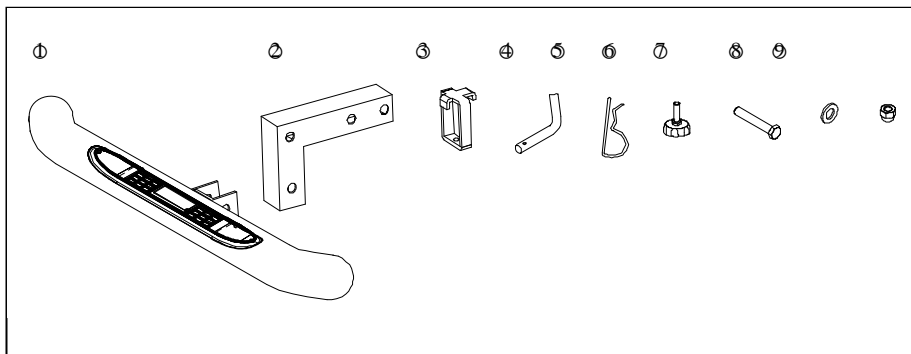
ATTENTION

≡ Please read this installation Menu before installing this part.

≡ Please check this part at a fixed time – e.g, one month or two months.

PART LIST

No.	Name	Qty	Remarks	No.	Name	Qty	Remarks
①	Hitch step	1		⑥	Plastic bolts	1	M10×40
②	Bracket	1		⑦	Hex bolt	1	M16×90
③	Bracket	1		⑧	Flat washer	2	16mm
④	Pin	1		⑨	Hex nut	1	M16
⑤	Pin	1					



INSTALLATION STEPS

STEP 1 : Before you start the installation, make sure that you have all the components listed above.

STEP2 : Please protect your vehicles from being scratched during the process of installing the hitch step.

INSTALLATION INSTRUCTION

HITCH STEP

Fig. 1

Rear step hitch

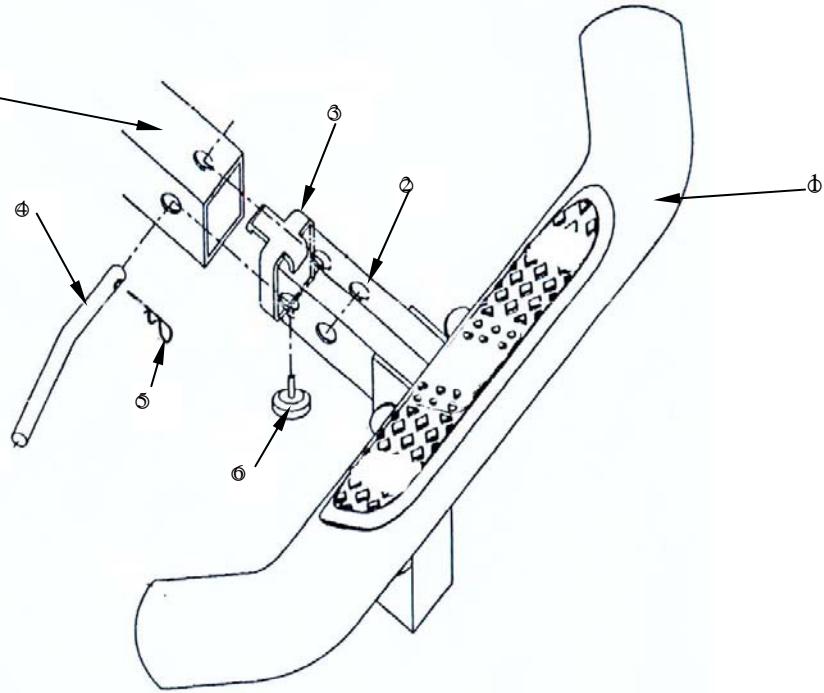
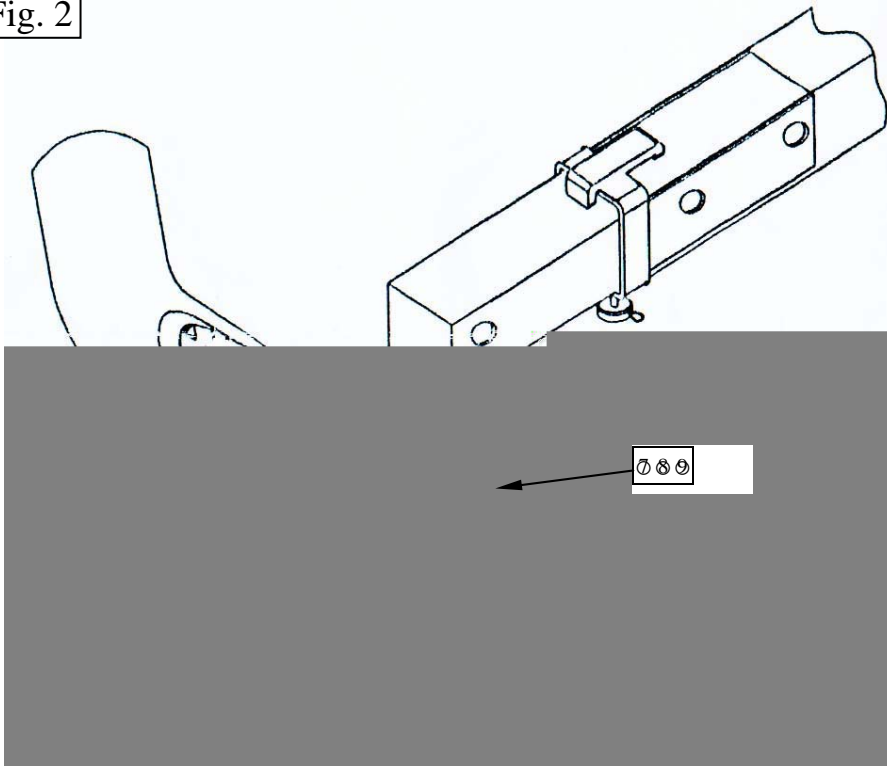


Fig. 2



STEP 3 : Test and make sure that the hitch step is steadily fixed.

STEP 4 Installation is finished .