



INSTALLATION INSTRUCTIONS

**BLACK MODULAR GRILL GUARD FOR CHEVY SILVERADO 1500LD
99-02/ SUBURBAN/TAHOE 00-06/ GMC YUKON/ YUKON XL1500 00-06**

PART # 17GT23MA

Parts List:

NO.	QTY	PICTURE	NO.	QTY	PICTURE
①	1	Front Guard	②	1	Lower Support Brackets (LEFT & RIGHT, WHEN SITTING IN THE CAR)
③	1	Left Brush Guard	④	1	Right Brush Guard
⑤	6	Split Lock Washer D8	⑥	6	8mm x 25mm Button Head Bolt
⑦	6	8mm Nut	⑧	12	8mm Flat washer
⑨	1	Wrench	⑩	10	12mm x 30mm Hex Bolt-zinc Plated
⑪	10	12mm Lock Nut-zinc Plated	⑫	20	12mm Flat Washer-zinc Plated

Installation Steps:

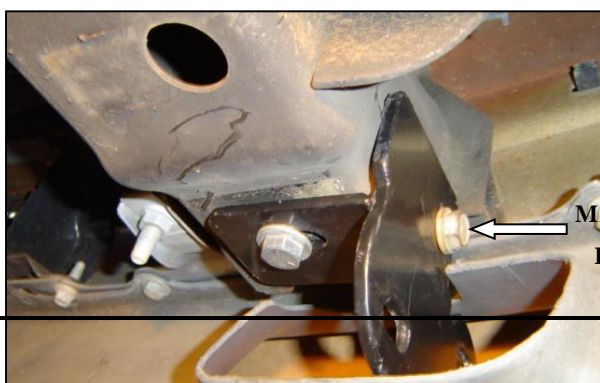
Step One: Install left and right brush guard on the front guard as figure 1.

Step Two: Remove the factory tow hooks from the vehicle if so equipped. If the vehicle did not come with the factory tow hooks it is necessary cut out the area of the lower valance where the hooks would have been.

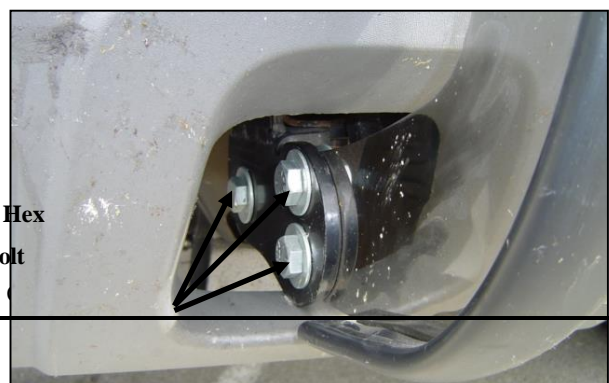
Step Three: Locate Left Lower Support Bracket, Two 12mm x 30mm Hex Bolts, Two Lock Nuts, and Four Flat washers. Position the bracket under the frame. Loosely attach the Left Lower Support Bracket to frame using the hardware listed in this step (**Figure 1**). Repeat this procedure on the opposite side of vehicle.

Step Four: Locate the remaining M12 hardware and position the Front Guard to the inside of the Support Brackets. Attach the Guard to the Support Brackets using the hardware listed in this step (**Figure 2**). Maintain a 3/16" gap between the guard and the vehicle's bumper.

Step Five: After checking for proper clearance and alignment of the Front Guard on the vehicle fully tighten all hardware.



M12 x 30 Hex
Head Bolt
page 2



↑

M12x30Hex Head Bolts

M12 x 30 Hex Head Bolt

Figure 1

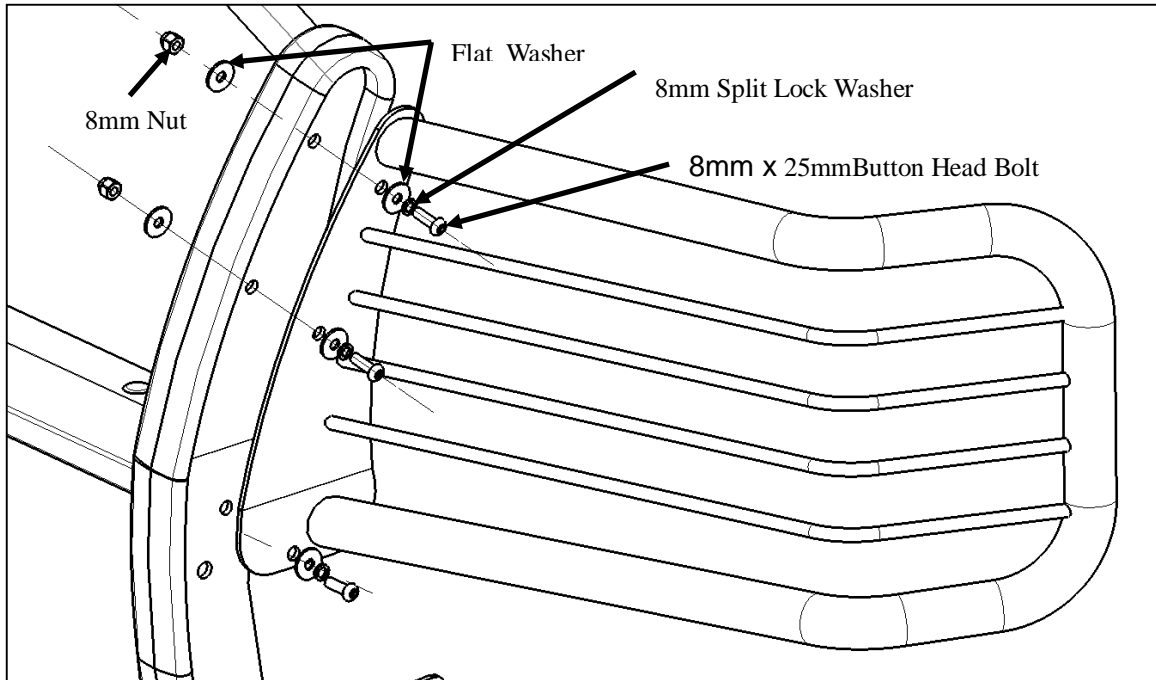
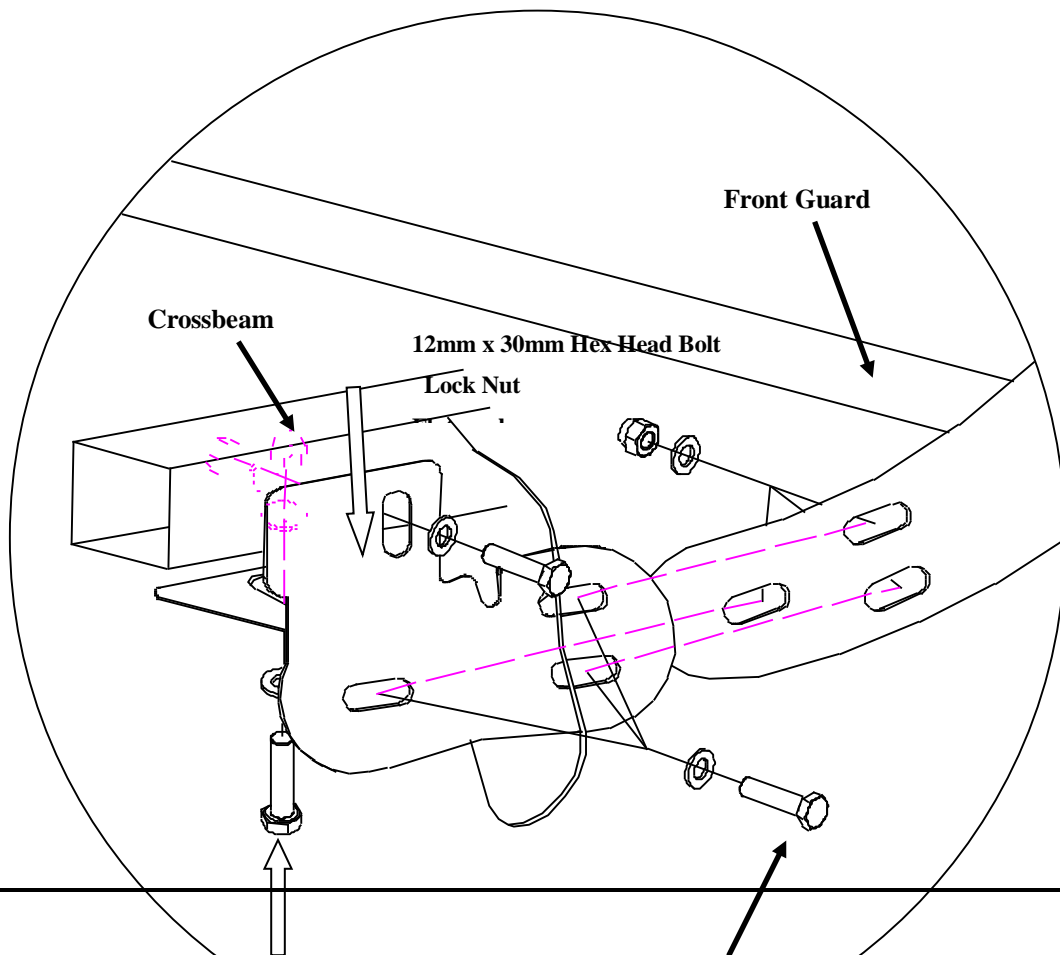


Figure 2



12mm x 30mm Hex Head Bolt

Lock Nut

Flat Washer

12mm x 30mm Hex Head Bolt

Lock Nut

Flat Washer