

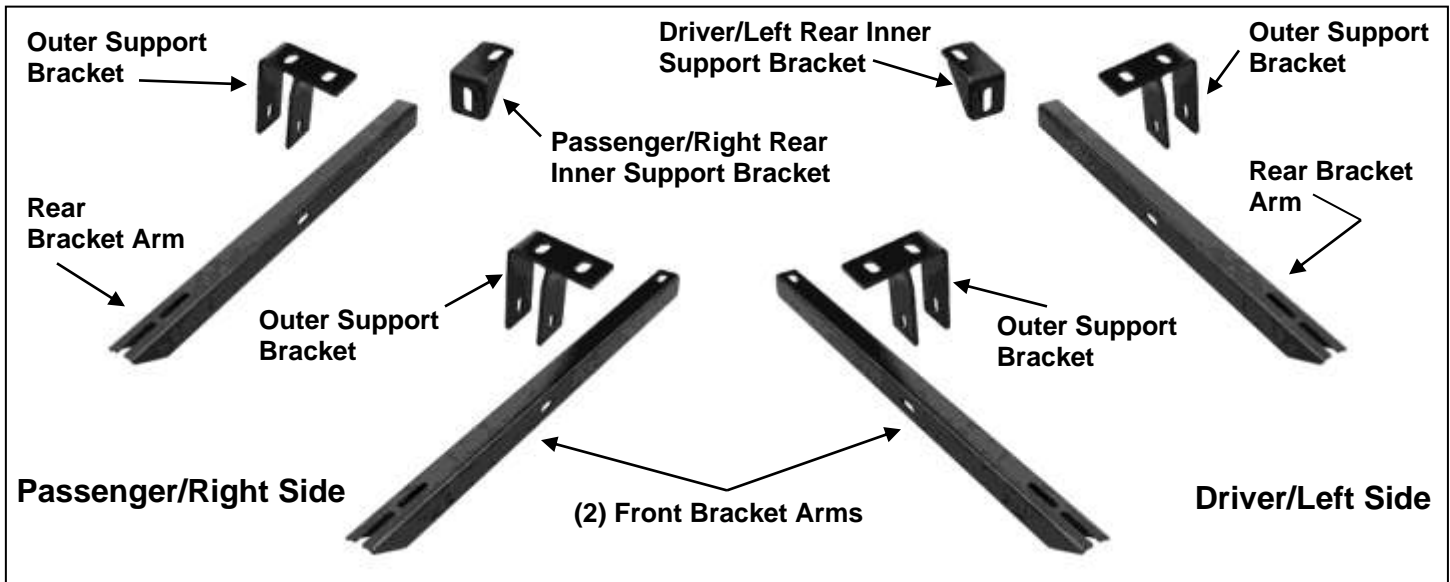


**INSTALLATION INSTRUCTIONS**  
**RUNNING BOARD BRACKETS FOR HONDA CRV 07-16**  
**PART # BR-HOCR**



**PARTS LIST:**

2	Running Boards	20	8mm x 25mm Hex Bolts
2	Front Mounting Bracket Arms	28	8mm x 22mm OD x 2mm Flat Washers
2	Rear Mounting Bracket Arms	20	8mm Lock Washers
4	Outer Support Brackets	8	8mm Hex Nuts
1	Driver/Left Rear Inner Support Bracket	8	6mm "T" bolts
1	Passenger/Right Rear Inner Support Bracket	8	6mm x 22mm OD x 2mm Flat Washers
2	10mm x 20mm Hex Bolts	8	6mm Lock Washers
2	10mm x 20mm OD x 2mm Flat Washers	8	6mm Hex Nuts
2	10mm Lock Washers		



**PROCEDURE:**

- 1. REMOVE CONTENTS FROM BOX. VERIFY ALL PARTS ARE PRESENT. READ INSTRUCTIONS CAREFULLY BEFORE STARTING INSTALLATION. CUTTING IS REQUIRED.**
- Identify and separate the driver and passenger side front and rear Mounting Brackets. Start installation on the driver/left side of the vehicle.
- Cut out the paper template on **Page 6** labeled "Driver Side," (**Figure 1**). Cut out the square section on the bottom of the Template and the (2) 8mm holes on the top. Fold the top of the Template up along the dotted line, (**Figure 2**). Hold the Template in place over the outer (2) factory 8mm threaded holes next to the pinch weld, (**Figures 3 & 4**). **IMPORTANT:** There are (4) threaded holes at each mounting location, (2) inner on bottom of frame channel and (2) outer next to pinch weld, (**Figure 5**). Hold the correct Template over the outer threaded holes and up against the plastic cover, (**Figure 4**). Use a marker to trace the cut out section on the bottom of the Template onto the plastic cover. Repeat this Step to mark the rear bracket location for cutting.
- Remove the plastic cover. Cut out the (2) sections as marked. **VERY IMPORTANT:** The Templates are driver and passenger side specific and have been provided for reference use only. It is the installer's responsibility to be absolutely sure that the correct location has been marked before cutting the plastic cover. To verify the locations before cutting, temporarily assemble the Mounting Brackets as pictured on **Page 1** and check the locations on the cover.
- Partially install the plastic cover. **IMPORTANT:** Attach the cover to the vehicle with the outer, (next to pinch weld), hardware only. Allow the cover to hang in place from the outer hardware. Do not install inner hardware at this time.

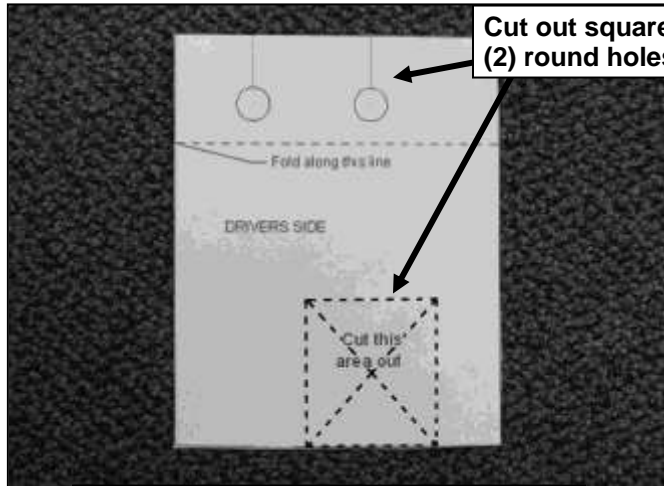
## RUNNING BOARD BRACKETS FOR HONDA CRV 07-16

6. Locate the forward (2) 8mm threaded holes in the floor panel, (See **Step 3, Fig. 3**). Select (1) Outer Support Bracket. Bolt the Bracket to the threaded holes with (2) 8mm Hex Bolts, (2) 8mm Lock Washers, and (2) 8mm Flat Washers, (**Figure 6**). Snug but do not fully tighten hardware at this time.
7. Select (1) Front Bracket Arm, (**Figure 7**). Insert the Bracket Arm through the tabs on the Support Bracket and into the hole cut out of the plastic cover. Line up the inner end of the Bracket with the rear threaded hole on the bottom of the frame channel in line with the outer holes, (**Figure 8**). Attach the Bracket to the frame channel with (1) 8mm Hex Bolt, (1) 8mm Lock Washer and (1) 8mm Flat Washer. Bolt the Bracket Arm to the (2) tabs on the Support Bracket with (2) 8mm x 25mm Hex Bolts, (4) 8mm Flat Washers, (2) 8mm Lock Washers and (2) 8mm Hex Nuts, (**Figure 9**). **NOTE:** Mounting tab on outer Support Bracket will go toward front of vehicle. Do not tighten hardware at this time.
8. Locate the rear (2) 8mm threaded holes in the floor panel, (See **Step 3**). Select (1) Outer Support Bracket. Bolt the Bracket to the threaded holes with (2) 8mm Hex Bolts, (2) 8mm Lock Washers, and (2) 8mm Flat Washers, (**Figures 6 & 12**). Snug but do not fully tighten hardware at this time.
9. Next, select the driver side rear Inner Support Bracket and (1) Rear Bracket Arm, (**Figures 10 & 11A**). Bolt the Support Bracket to the end of the Arm with (1) 10mm x 20mm Hex Bolt, (1) 10mm Lock Washer and (1) 10mm Flat Washer, (**Figures 10 & 11B**). Do not tighten at this time.
10. Insert the rear Bracket Arm through the (2) tabs on the Support Bracket and into the hole cut out of the plastic cover. Line up the tab on the Support Bracket with the rear threaded hole on the bottom of the frame channel in line with the outer holes, (**Figure 11B**). Attach the Bracket to the frame channel with (1) 8mm Hex Bolt, (1) 8mm Lock Washer and (1) 8mm Flat Washer. Bolt the Bracket Arm to the (2) tabs on the Support Bracket with (2) 8mm x 25mm Hex Bolts, (4) 8mm Flat Washers, (2) 8mm Lock Washers and (2) 8mm Hex Nuts, (**Figure 12**). **NOTE:** Mounting tab on Outer Support Bracket will go toward front of vehicle, (**Figures 10 & 12**). Do not tighten hardware at this time.
11. Carefully un-wrap the Running Boards. Insert (2) 6mm T-Bolts into the open ends of each channel, (2 T-Bolts per channel), in the bottom of the Running Board, (**Figure 13**). Hold the Running Board up in the approximate position and slide the T-Bolts down the channels to line up with the (2) Brackets. Tilt the Running Board up at a slight angle to clear the slots in the Brackets. Secure the Running Board to the Brackets with (4) 6mm Flat Washers, (4) 6mm Lock Washers and (4) 6mm Hex Nuts, (**Figure 14**). **NOTE:** The Running Board is designed to fit close to the vehicle. It may be necessary to loosen the Mounting Brackets and tilt the Brackets downward to insert the Running Board between the Brackets and the vehicle. Do not fully tighten hardware at this time.
12. Level and adjust the Running Board and tighten all hardware.
13. Leave the plastic cover completely loose and fully tighten the hardware bolting the Brackets to the vehicle. **NOTE:** It may be necessary to remove the Brackets and plastic cover if the cover requires additional cutting. Leave plastic cover loose at this time. Cover will not be reinstalled until after the Running Board has been installed, aligned and then all hardware tightened. Cover must be loose to access inner hardware.
14. Once all Bracket hardware has been completely tightened, reinstall the plastic cover with the factory hardware. **NOTE:** Depending on model year, additional trimming may be required around the Brackets to clear the inside of the plastic cover near the frame channel.
15. Repeat **Steps 2—14** for passenger/right side Running Board installation.
16. Do periodic inspections to the installation to make sure that all hardware is secure and tight.

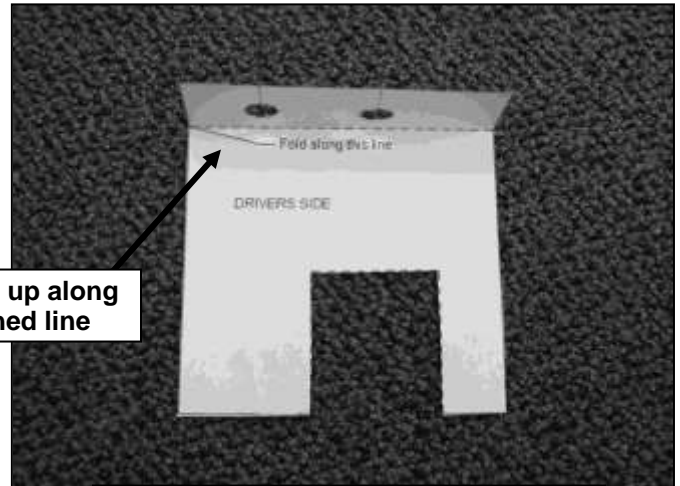
**To protect your investment**, wax this product after installing. Regular waxing is recommended to add a protective layer over the finish. Do not use any type of polish or wax that may contain abrasives that could damage the finish. Aluminum polish may be used to polish small scratches and scuffs on the finish. Only use mild soap to clean the Running Board.



Driver Side Installation Pictured Without Plastic Cover for Instruction Purposes Only



(Fig 1) Driver side Template pictured



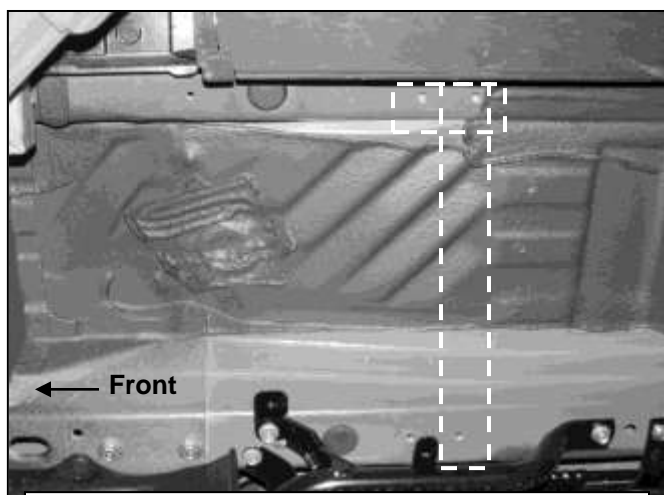
(Fig 2) Driver side Template pictured



(Fig 3) Driver side front mounting location pictured



(Fig 4) Front driver side location pictured



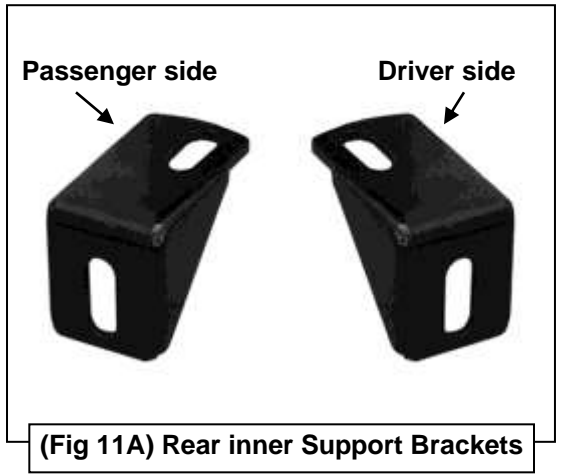
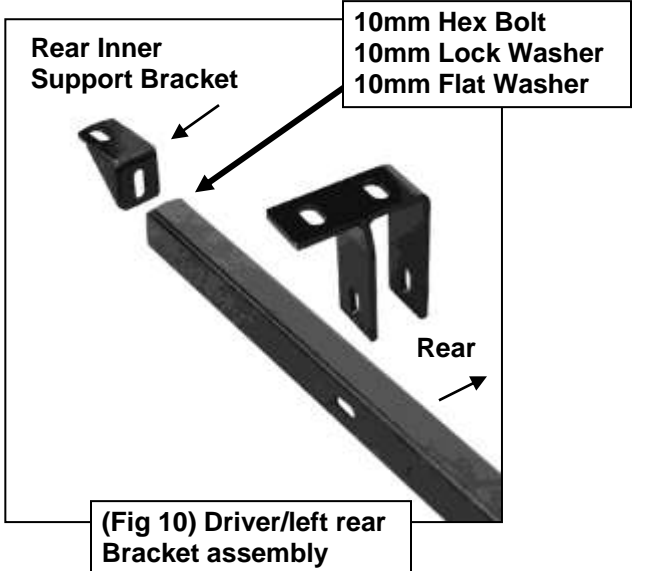
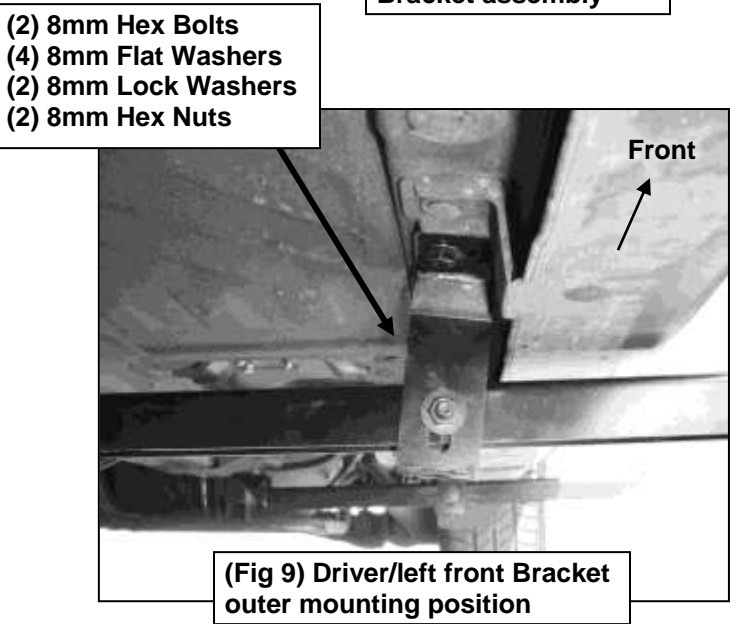
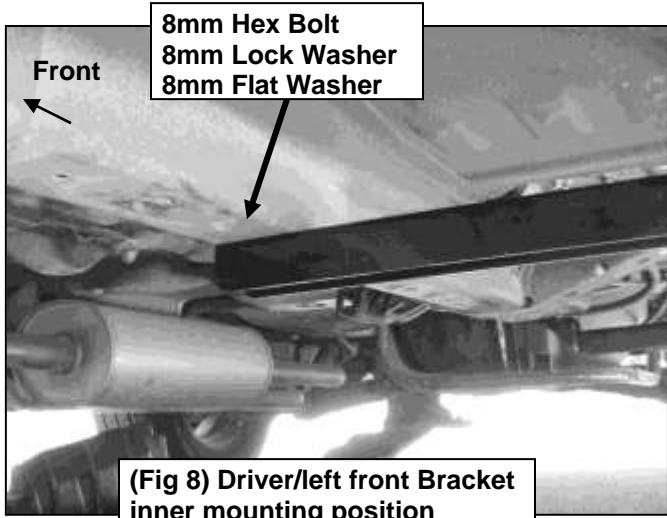
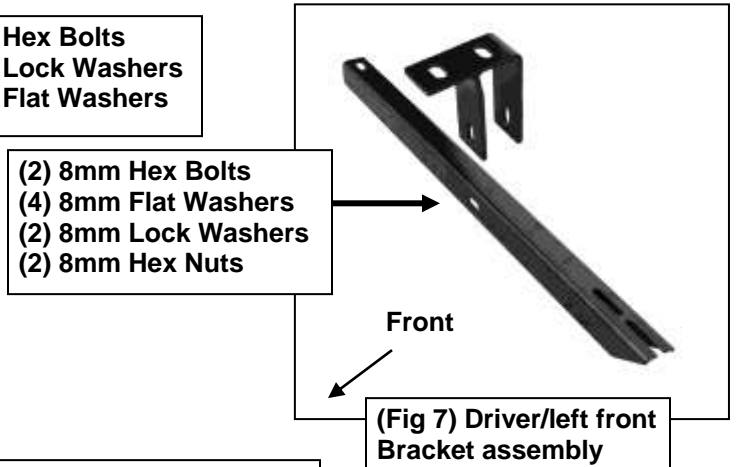
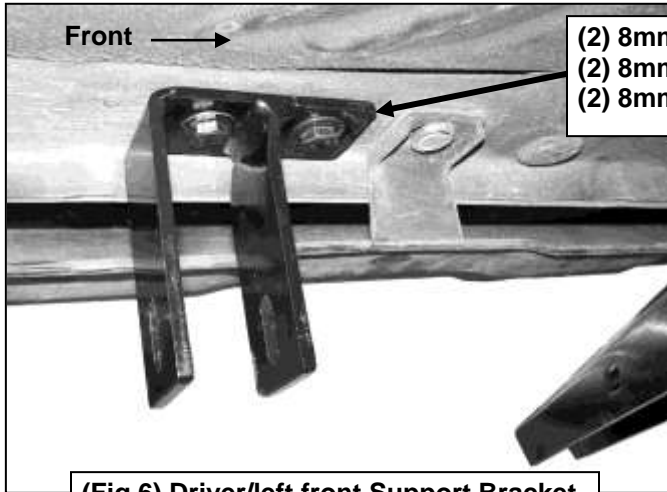
(Fig 5) Dashed line represents driver side front mounting location for Bracket assembly

With the plastic cover in place, hold the paper template (Driver side pictured) over the (2) threaded holes next to the pinch weld. Use a marker to trace the square cut out section on the template. Remove cover. Use a utility knife or hacksaw to carefully cut out this section. Check the clearance between the Bracket and the cover often for proper fit



RUNNING BOARD BRACKETS FOR HONDA CRV 07-16

Driver Side Installation Pictured Without Plastic Cover for Instruction Purposes Only







Driver Side Installation Pictured Without Plastic Cover for Instruction Purposes Only

- 8mm Hex Bolt
- 8mm Lock Washer
- 8mm Flat Washer

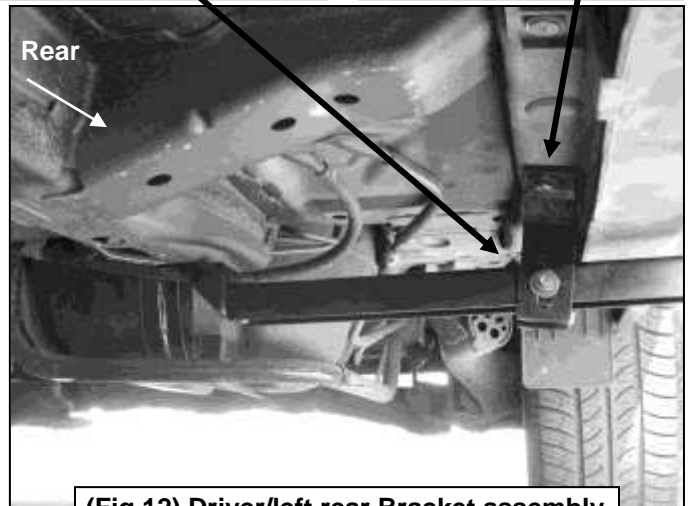
- 10mm Hex Bolt
- 10mm Lock Washer
- 10mm Flat Washer



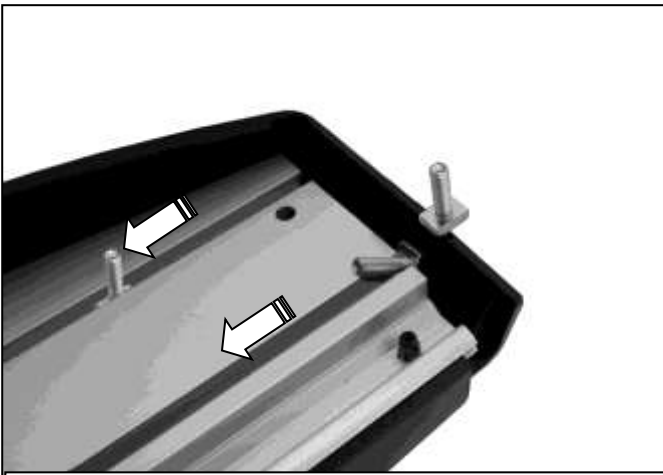
(Fig 11B) Driver/left rear inner Support Bracket

- (2) 8mm Hex Bolts
- (4) 8mm Flat Washers
- (2) 8mm Lock Washers
- (2) 8mm Hex Nuts

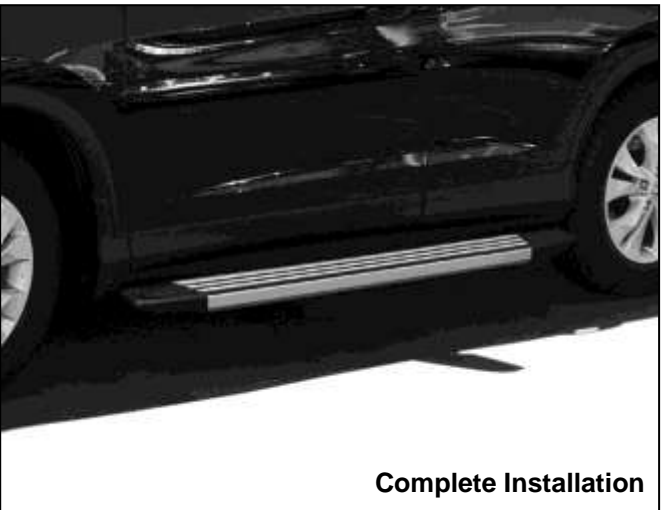
- (2) 8mm Hex Bolts
- (2) 8mm Lock Washers
- (2) 8mm Flat Washers



(Fig 12) Driver/left rear Bracket assembly



(Fig 13) Slide T-Bolts into end of Running Board



Complete Installation

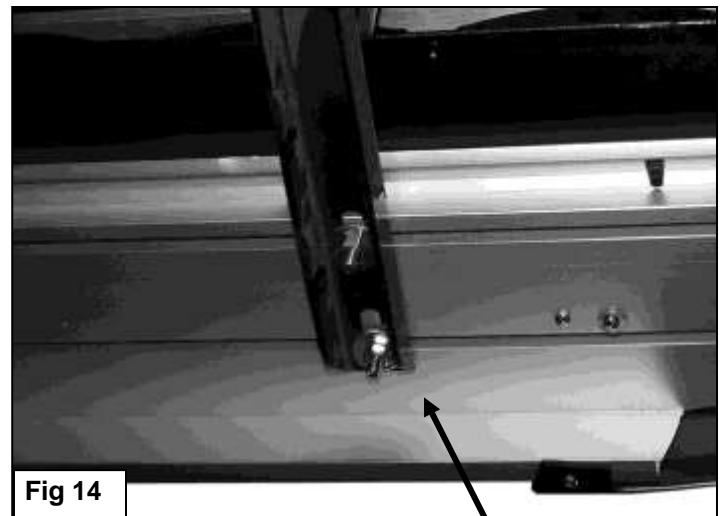
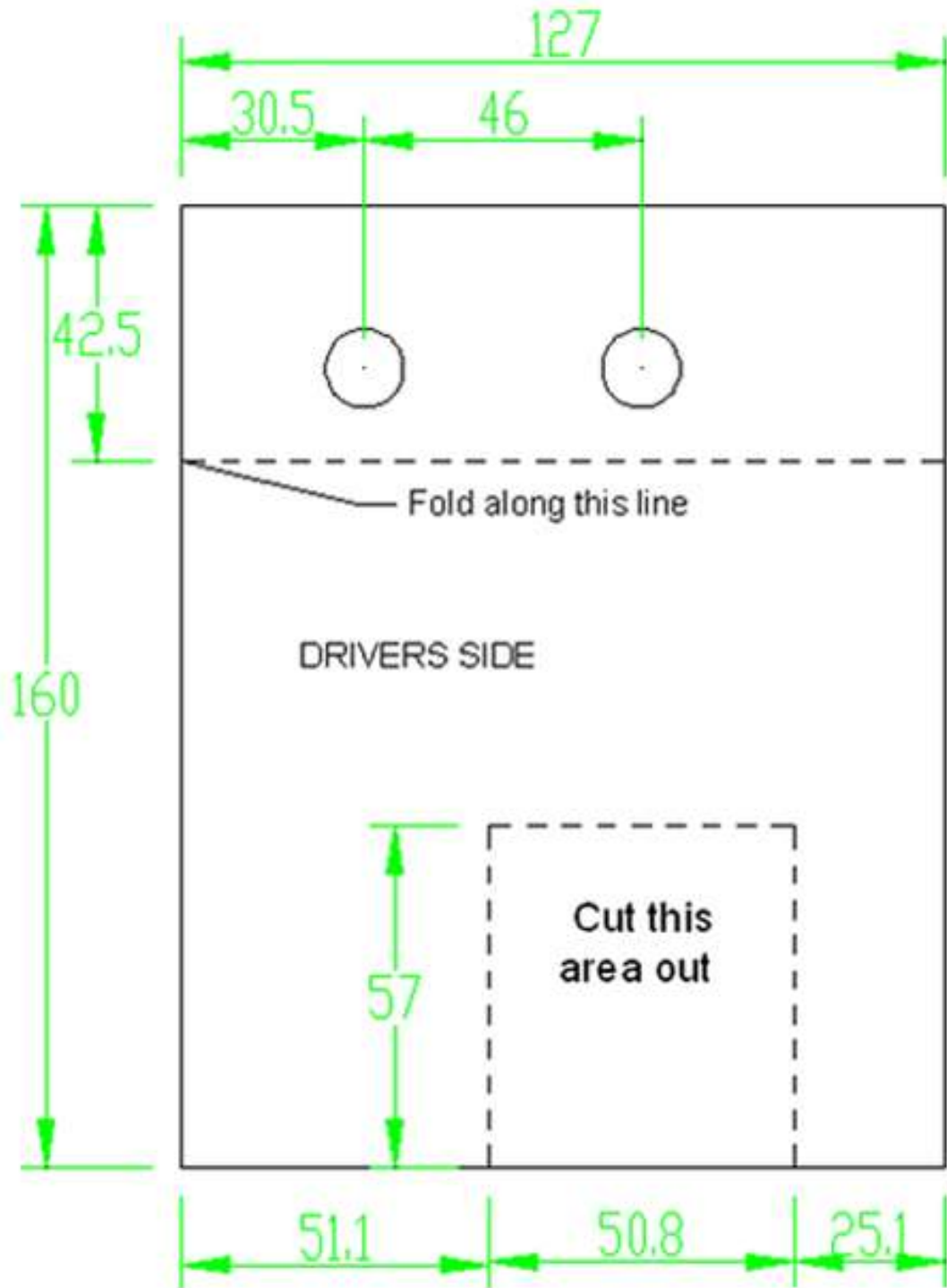


Fig 14

- (2) 6mm T-Bolts
- (2) 6mm Flat Washers
- (2) 6mm Lock Washers
- (2) 6mm Hex Nuts

RUNNING BOARD BRACKETS FOR HONDA CRV 07-16



RUNNING BOARD BRACKETS FOR HONDA CRV 07-16

