



TEL: 1-866-XANATOS

INSTALLATION INSTRUCTIONS

RAMBLER GRILLE GUARD BRACKET FOR 19-25 FORD RANGER

PART # RAGF10

PROTECTED BY ONE OR MORE PATENT

Before Installation

- Please read the instruction completely for easy installation, which will also help you to avoid scratches or other potential damages to your appealing car.
- The figures here are for reference only and may have differences with the actual product you received, however they share the same assembly way.

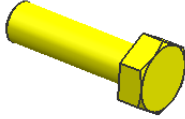
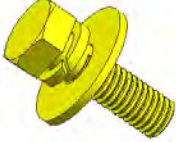
Care and Cleaning

- Mild soap may be used also to clean the Product.
- Please periodically check and retighten all the hardware and clean the investment for a refresh look.

Parts list

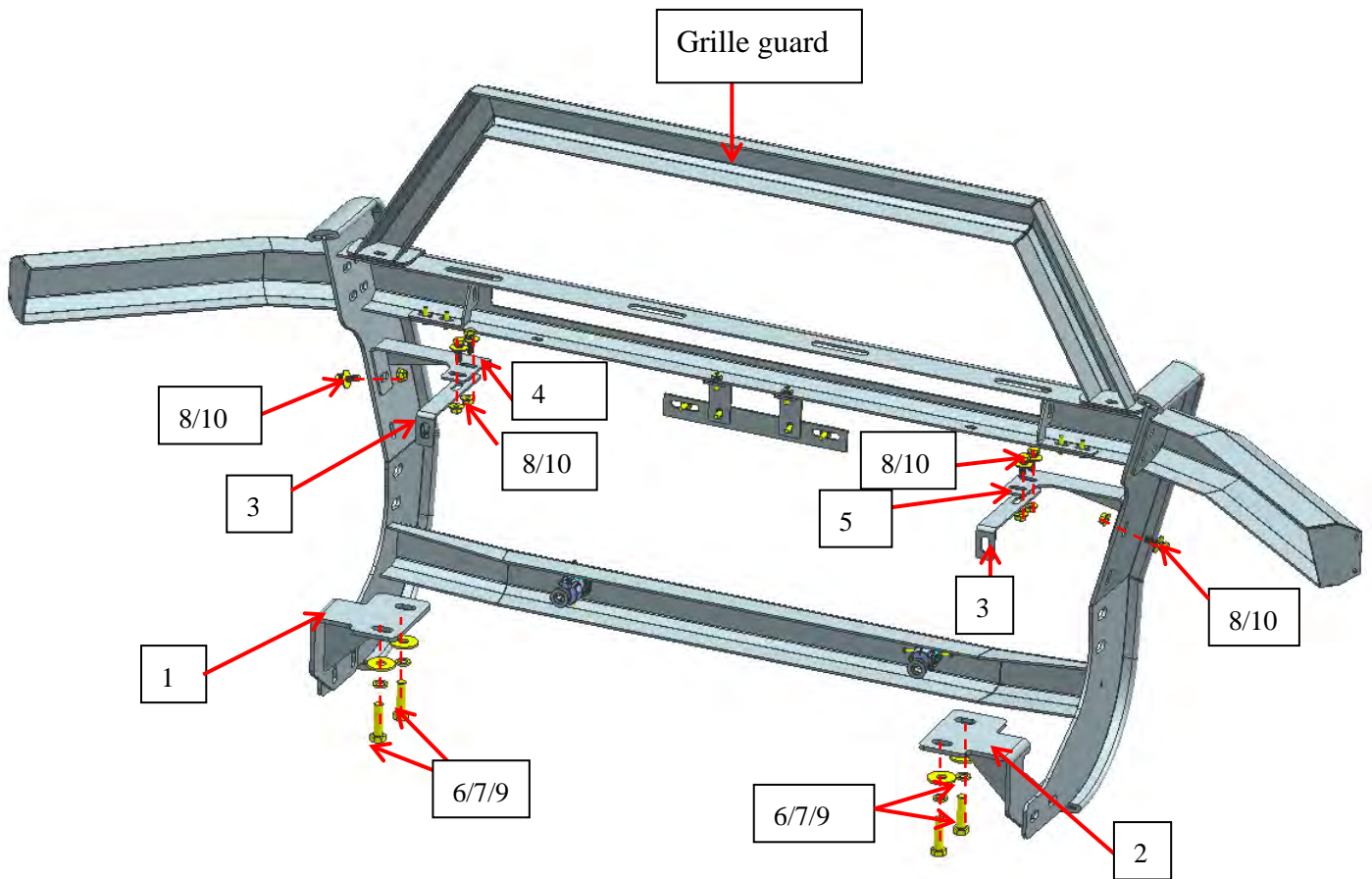
NO.	QTY	NAME	NO.	QTY	NAME
①	1	 Driver/Left Mounting Bracket	②	1	 Passenger/Right Mounting Bracket
③	2	 Support Bracket 1	④	1	 Driver/Left Support Bracket 2
⑤	1	 Driver/Right Support Bracket 2	⑥	4	 Lock Washer D12
⑦	4	 Flat Washer D12 (12x37x3mm)	⑧	6	 Flange Hex Nut M8

RAMBLER GRILLE GUARD BRACKET FOR 19-25 FORD RANGER

⑨	4	 Hex Bolt (Full Thread) M12_45	⑩	6	 Hex Bolt Assembly M8_25
---	---	--	---	---	--

Installation Steps

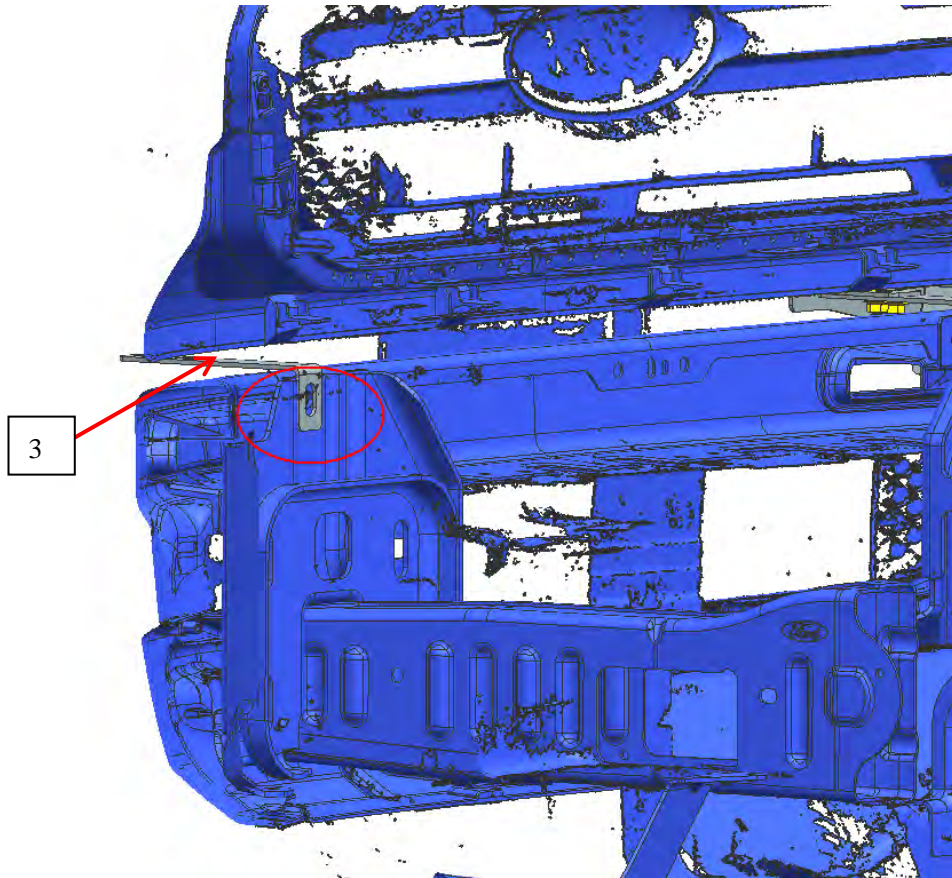
Installation Figure:



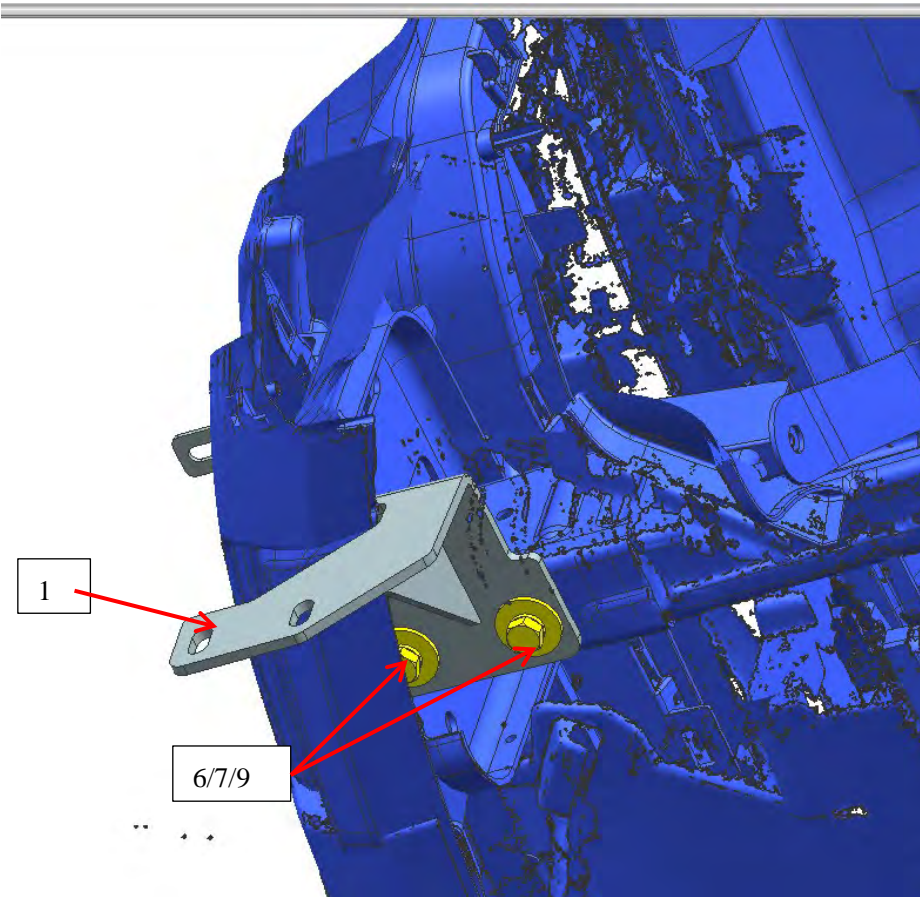
Step 1: Check all the contents are available in accordance with the above list.

Step 2: Find the installation hole for support bracket 1 on the front bumper of the vehicle, and use the vehicle's own bolts for installation. The left and right are consistent; the following figure shows the left side.

RAMBLER GRILLE GUARD BRACKET FOR 19-25 FORD RANGER

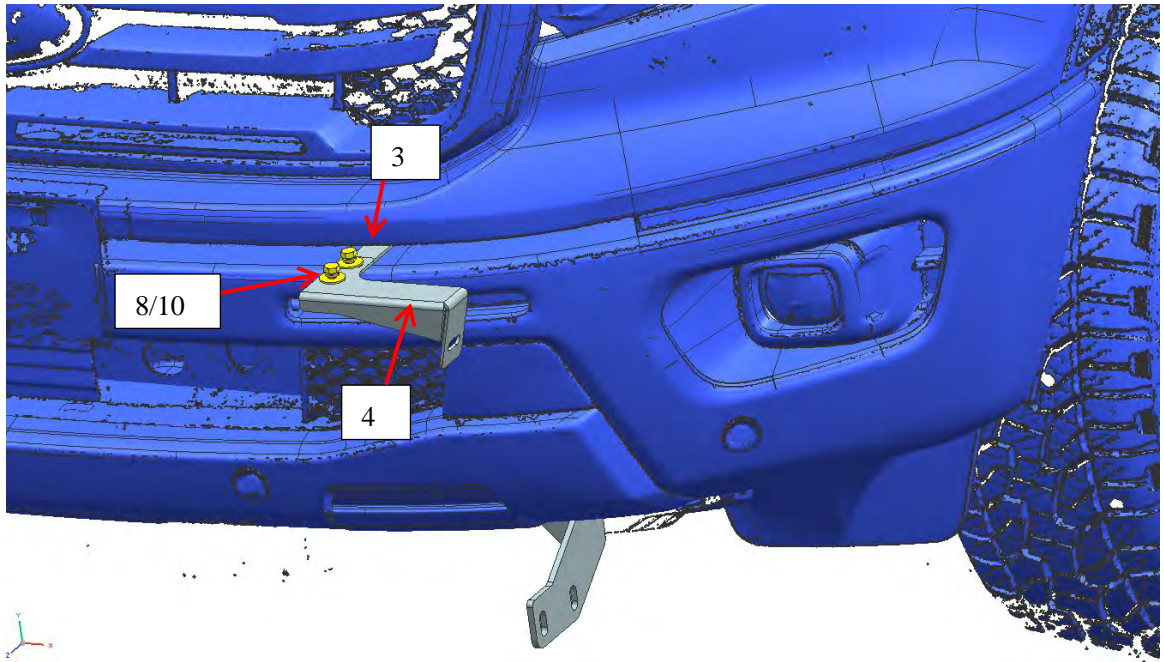


Step 3: Find the installation hole for the driver/left mounting bracket of the vehicle code on the body beam, and fix it to the beam using standard parts 6/7/9, consistent on both sides, the following figure shows the left side.

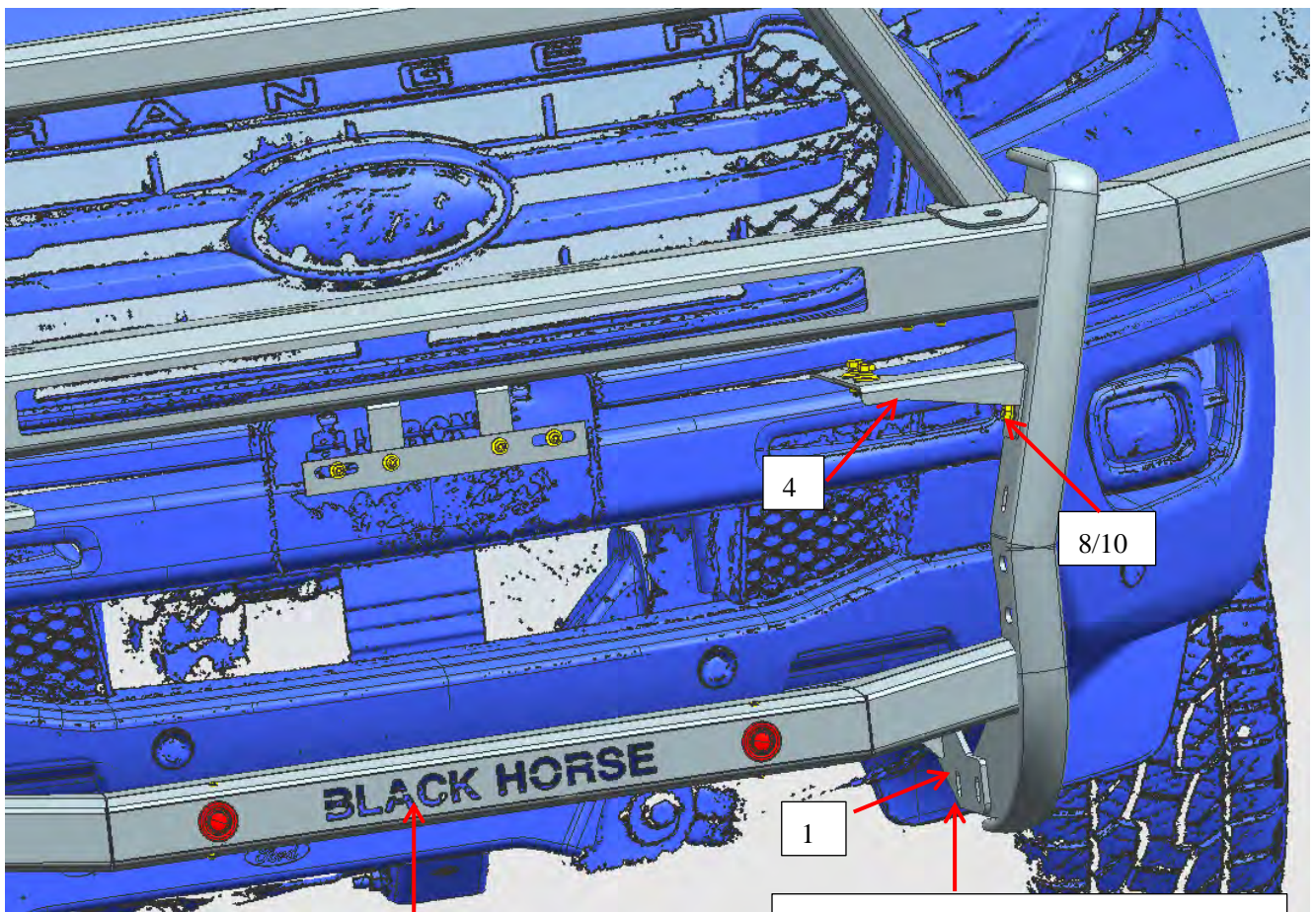


Step 4: Fix driver/left support bracket 2 with standard parts and support bracket 1, consistent on both sides, the following figure shows the left side.

RAMBLER GRILLE GUARD BRACKET FOR 19-25 FORD RANGER



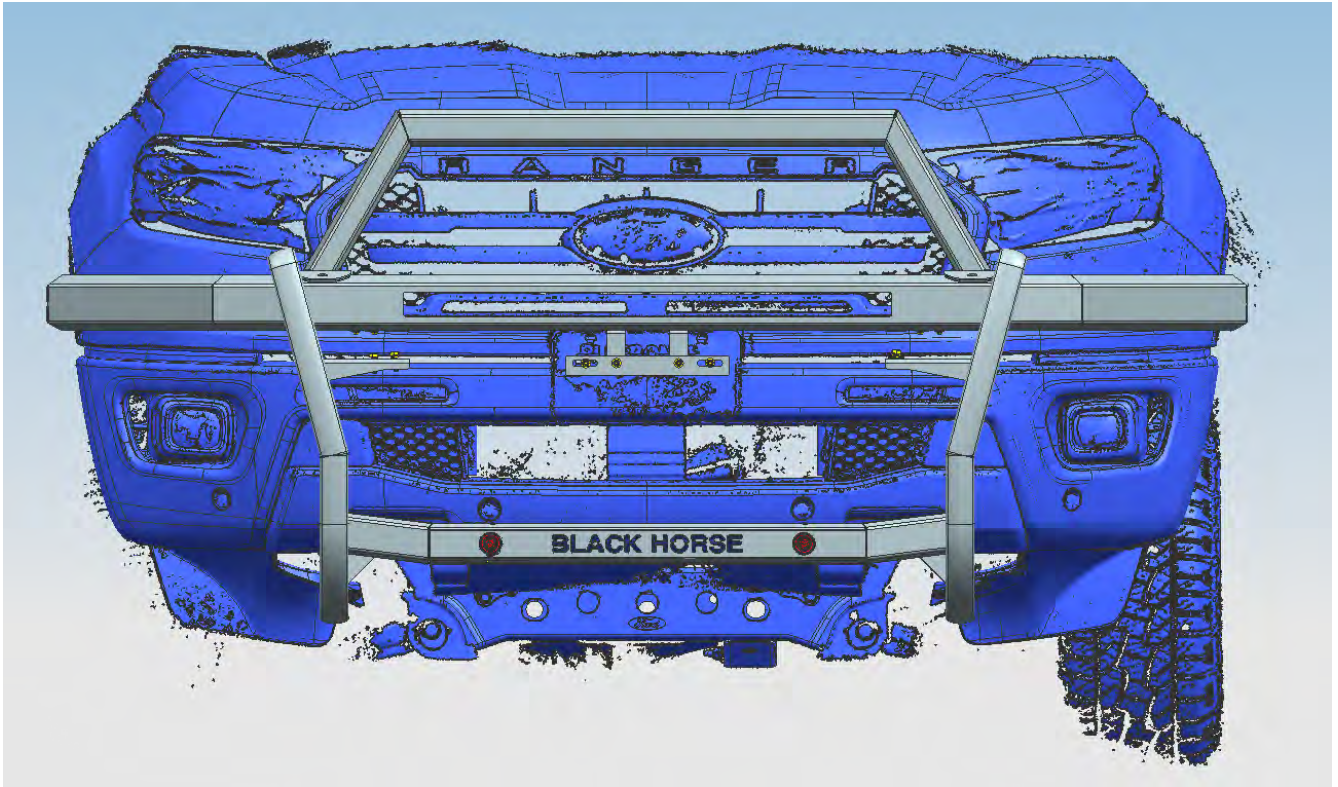
Step 5: Use standard parts to fix the driver/left mounting bracket, driver/left support bracket 2 and bumper, with consistency on both sides, the following figure shows the left side.



Grille guard

Grille guard standard component fixation

Finished installation:



NOTE

Any damages and losses caused by improper installation and application, goes beyond our quality warranty.



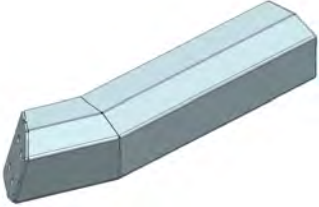
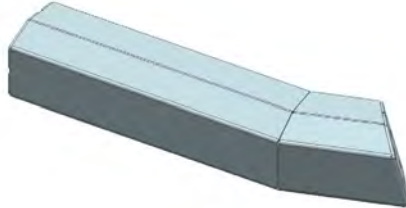



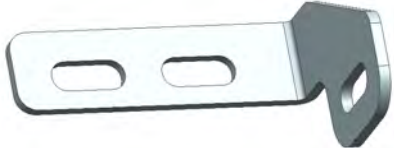

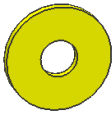
Before Installation

- Please read the instruction completely for easy installation, which will also help you to avoid scratches or other potential damages to your appealing car.
- The figures here are for reference only and may have differences with the actual product you received, however they share the same assembly way.




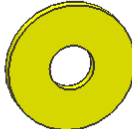

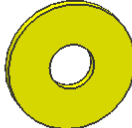



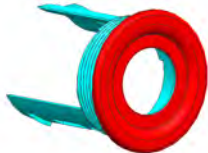





Care and Cleaning

- Mild soap may be used also to clean the Product.
- Please periodically check and retighten all the hardware and clean the investment for a refresh look.

Parts list

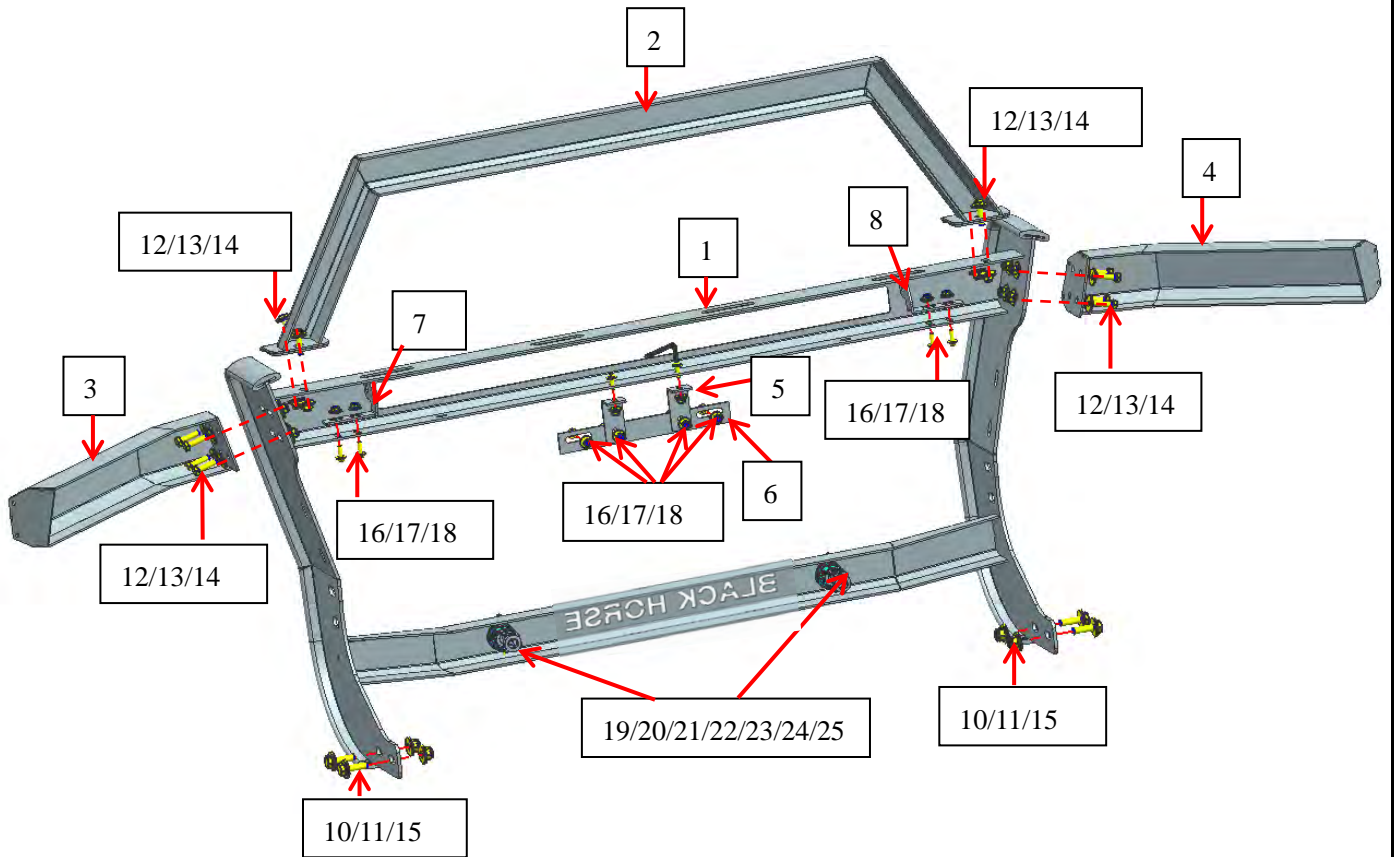
NO.	QTY	NAME	NO.	QTY	NAME
①	1	 Main Guard	②	1	 Front Cross bar
③	1	 Left Side Bar	④	1	 Right Side Bar
⑤	2	 License Bracket 1	⑥	1	 License Bracket 2
⑦	1	 Left Spotlight Bracket	⑧	1	 Right Spotlight Bracket
⑨	1	 Allen Wrench S=4	⑩	8	 Flat Washer D10_27_3

UNIVERSAL RAMBLER GRILLE GUARD FOR MID-SIZE TRUCKS

⑪	4	 Nylon Lock Nut M10	⑫	12	 Nylon Lock Nut M8
⑬	12	 Hex Bolt (full thread) M8_30	⑭	24	 Flat Washer D8 (8x24x2mm)
⑮	4	 Hex Bolt (full thread) M10_35	⑯	10	 Flat Washer D6 (6x18x1.6mm)
⑰	10	 Hex Nut M6	⑱	10	 Assembly Button Head Bolt M6_20/A2-70
⑲	2	 Radar Cap	⑳	2	 Plastic Radar Bracket
㉑	2	 Hex Lock Ring M31x1.5	㉒	2	 Adhesive Tape (Half circle with hole D20.6X10)
㉓	6	 Circle Adhesive Tape (D25-d15.5)	㉔	2	 Compression Cover
㉕	4	 Cross Recessed Pan Head Self Tapping Bolt (F-Type Flat Tail) ST4_15			

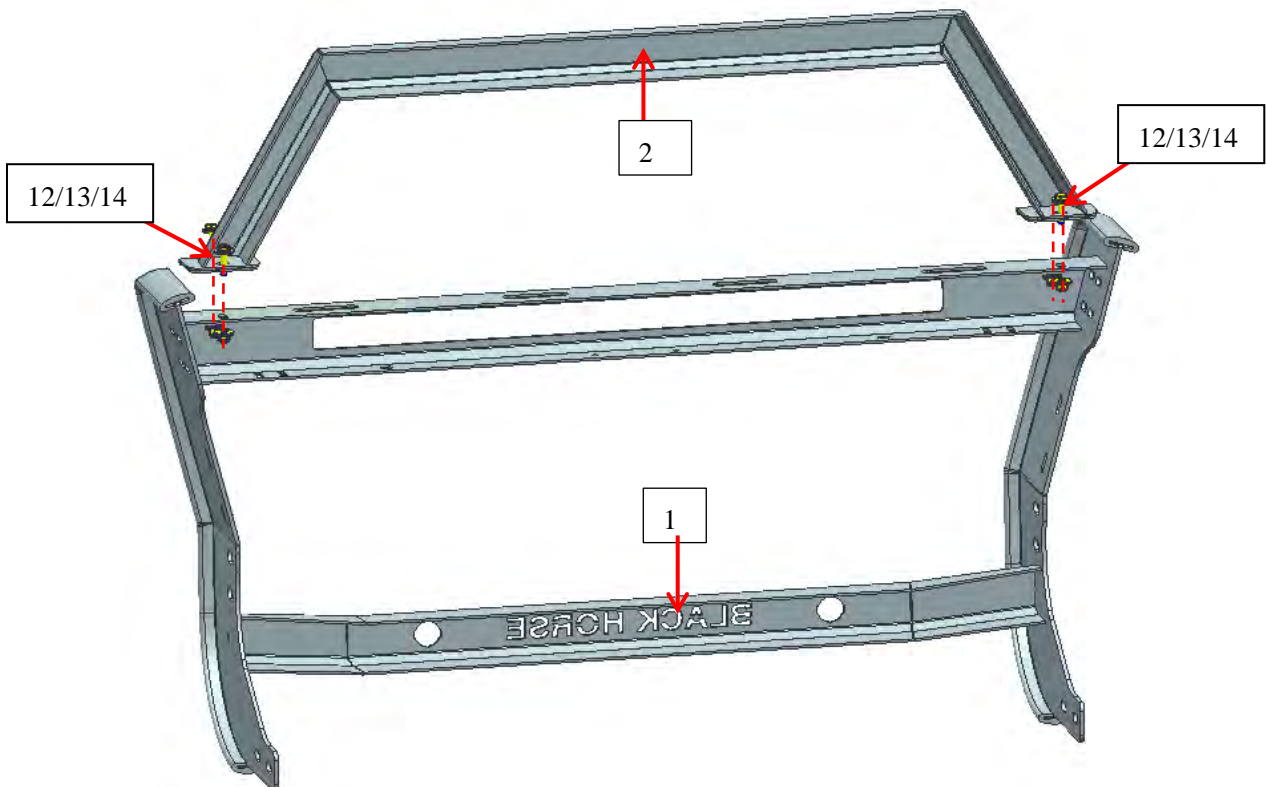
Installation Steps

Installation Figure:

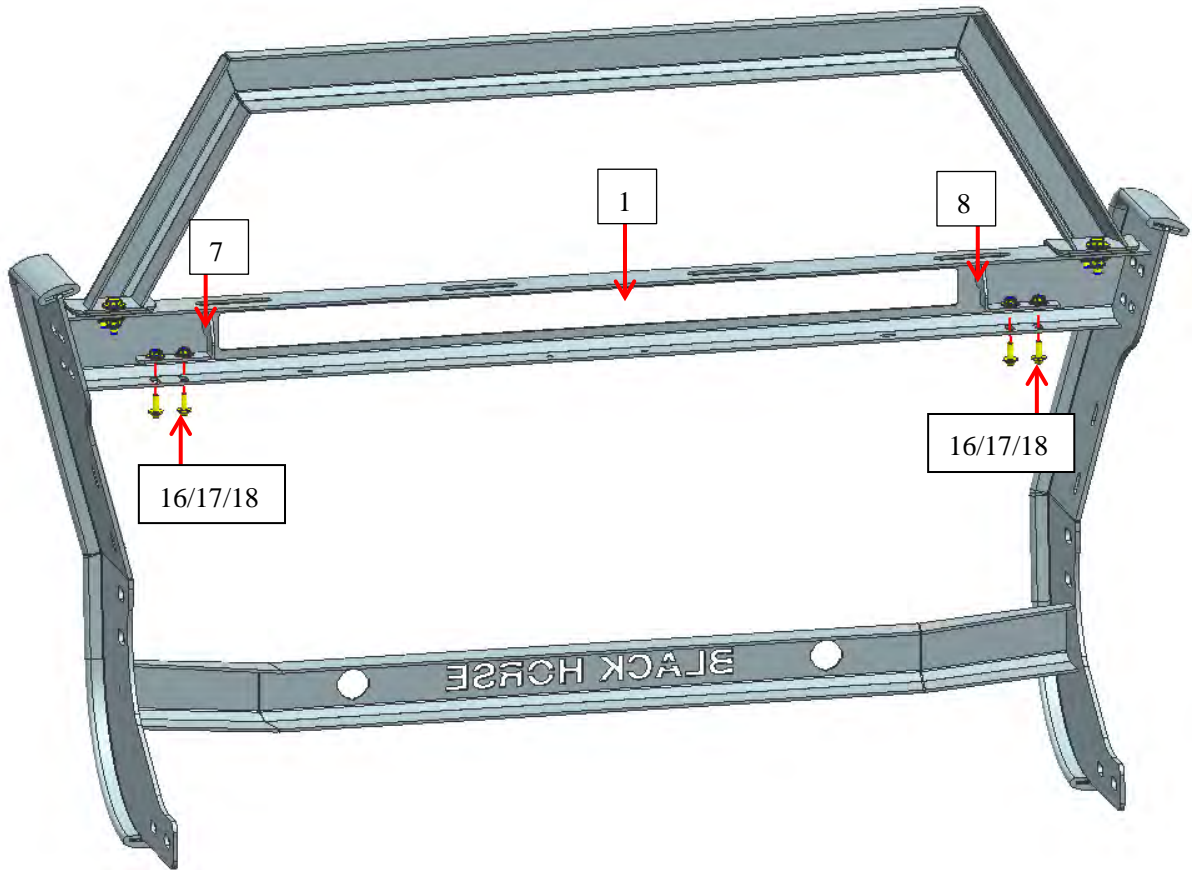


Step 1: Verify all parts are present.

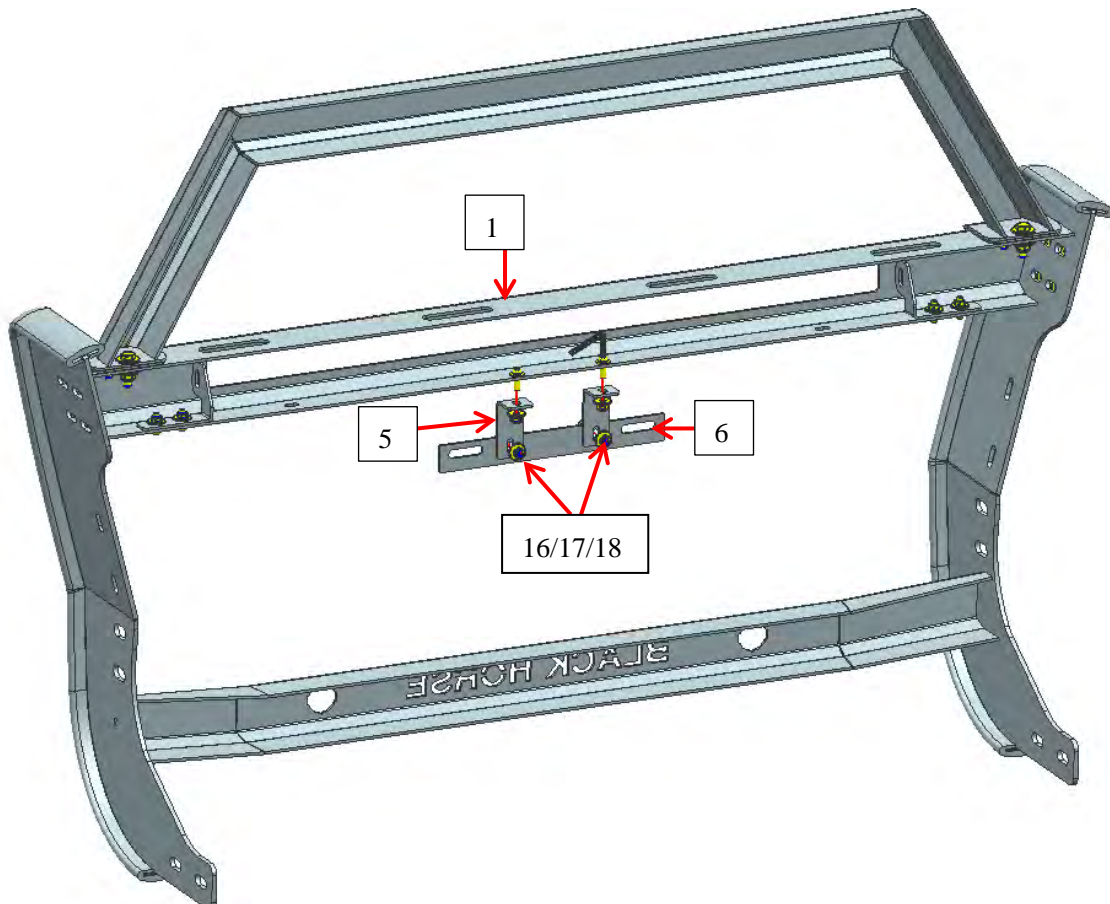
Step 2: Use standard parts to install Front Cross bar with Main Guard as below figure shown.



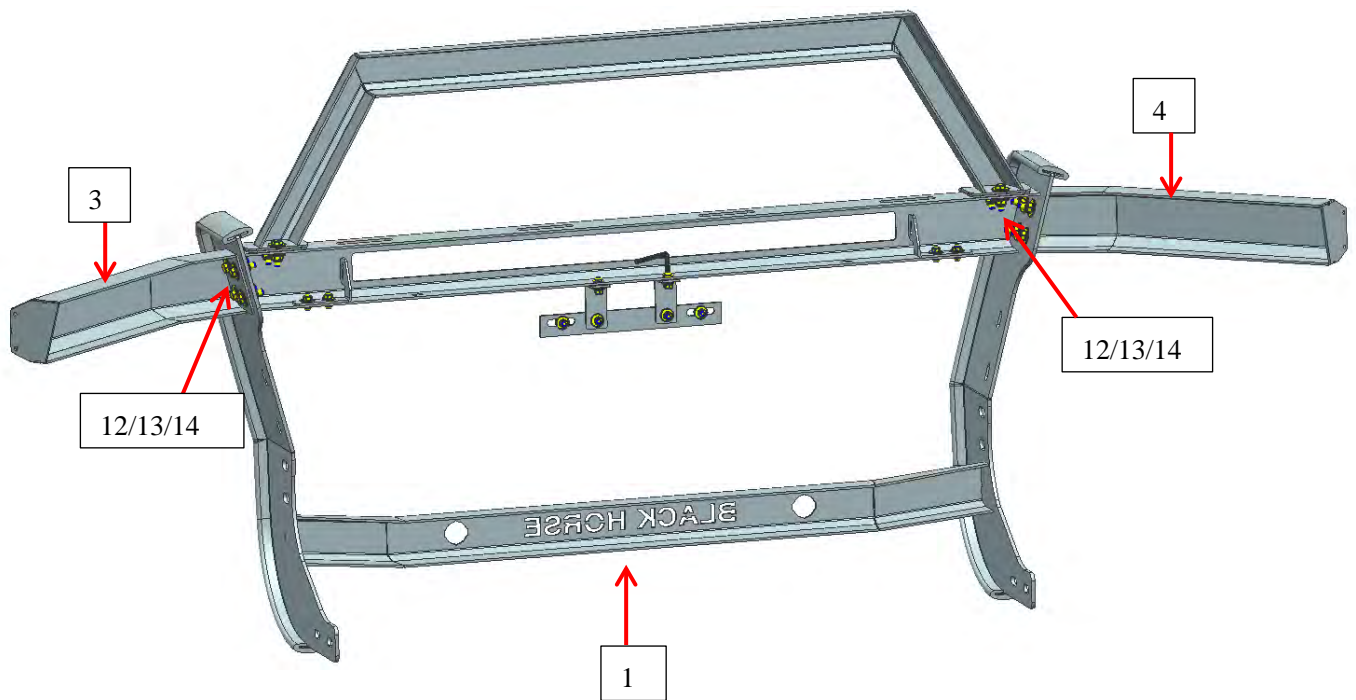
Step 3: Use standard parts to install Left and Right Spotlight Brackets with Main Guard as below figure shown.



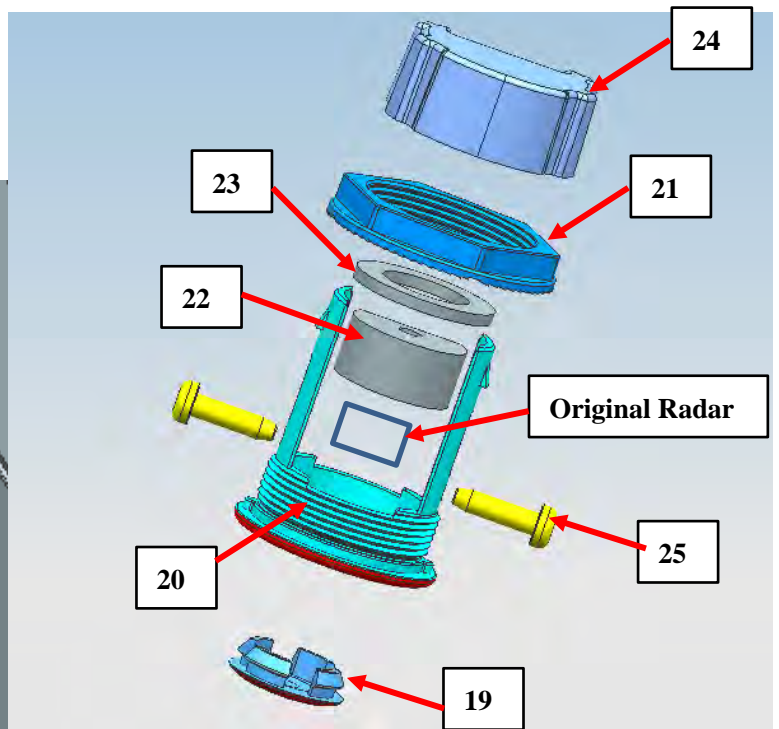
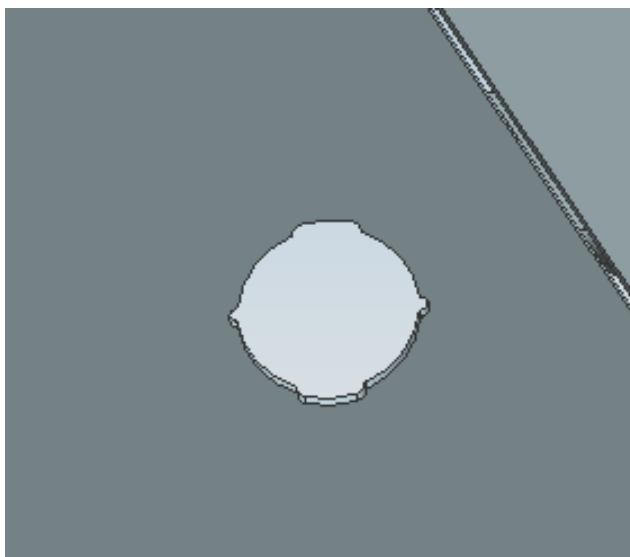
Step 4: Use standard parts to install License Brackets 1 and 2 with Main Guard as below figure shown.



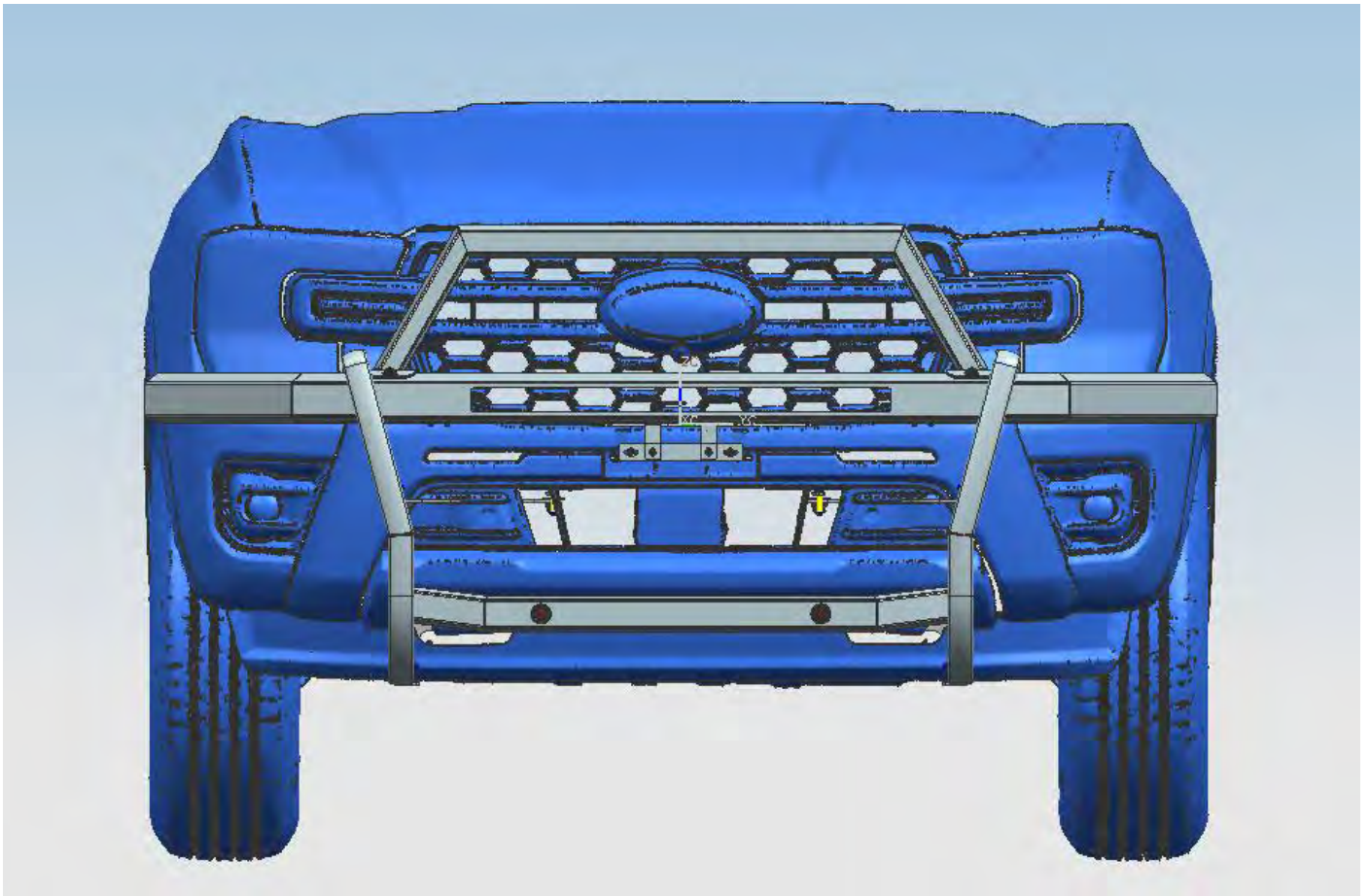
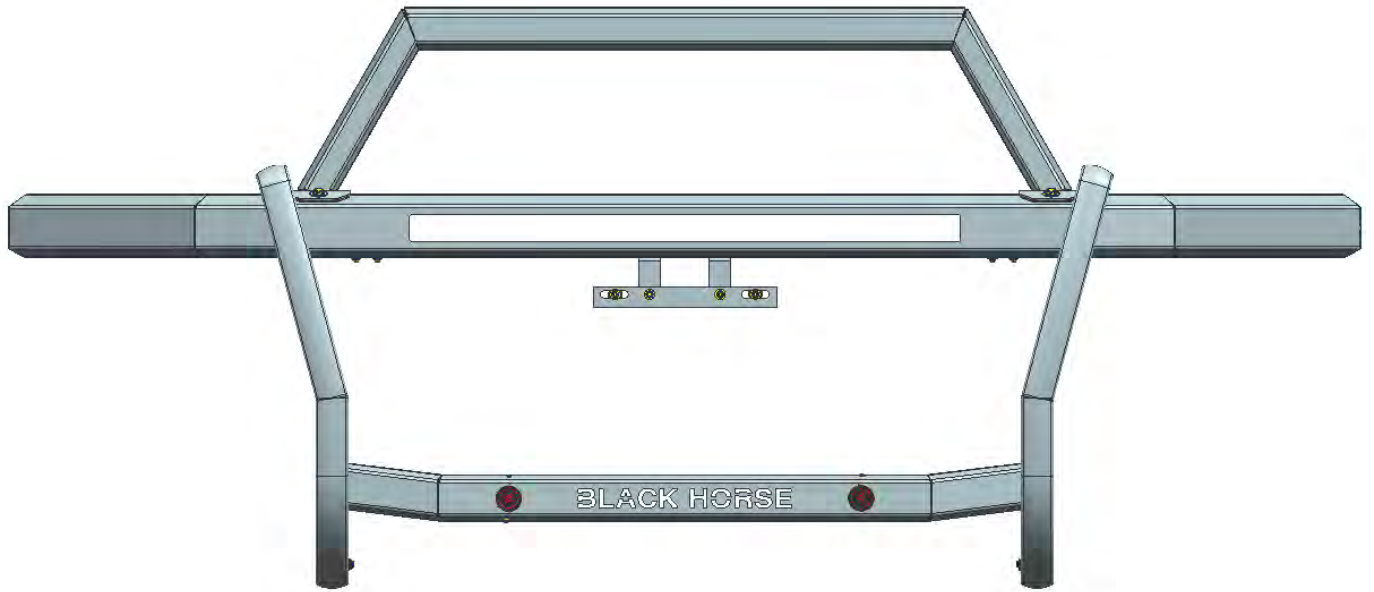
Step 5: Use standard parts to install Left and Right Side Bars with Main Guard as below figure shown.



Step 6: Find 2 radar holes on the grille guard and install them according to the standard parts shown in below pictures.



Completed installation:



NOTE

Any damages and losses caused by improper installation and application, goes beyond our quality warranty.