



TEL: 1-866-XANATOS

INSTALLATION INSTRUCTIONS

TAILGATE SEAT

PART # TGS-RA19

PROTECTED BY ONE OR MORE PATENT

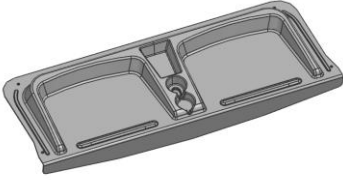
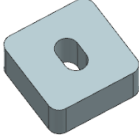
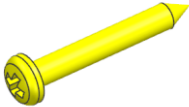
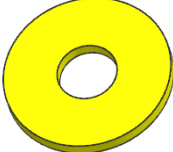
Before Installation

- Please read the instruction completely for easy installation, which will also help you to avoid scratches or other potential damages to your appealing car.
- The figures here are for reference only and may have differences with the actual product you received, however they share the same assembly way.

Care and Cleaning

- Mild soap may be used also to clean the Product.
- Please periodically check and retighten all the hardware and clean the investment for a refresh look.

Parts list

NO.	QTY	NAME	NO.	QTY	NAME
①	1	 Tailgate Seat	②	2	 Block
③	4	 Self-tapping Bolt	④	8	 Flat Washer

Installation Steps

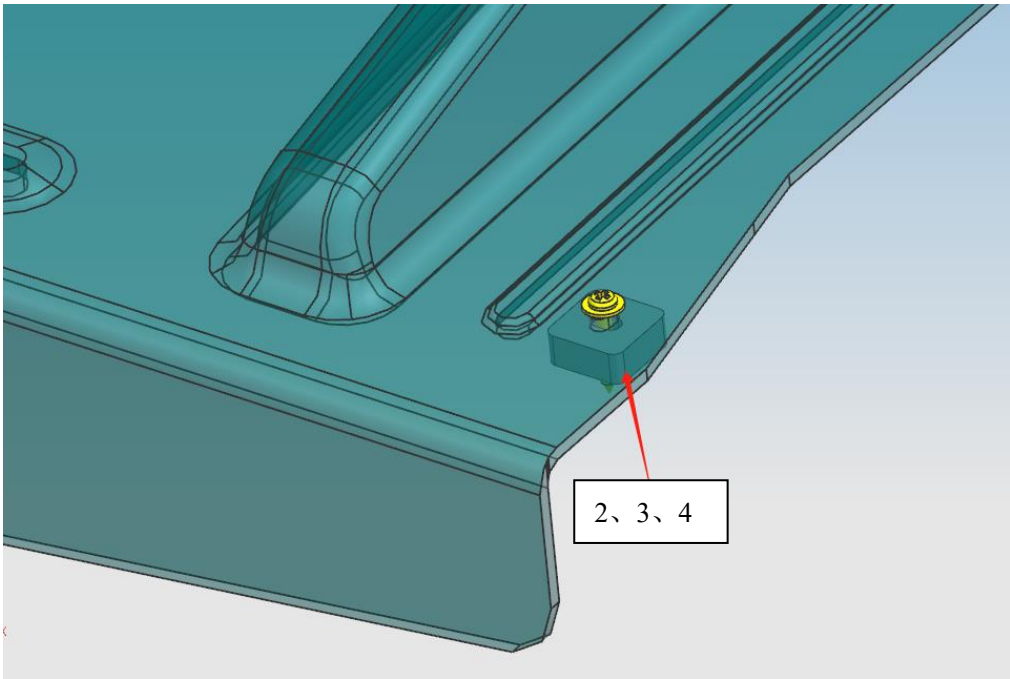
Installation Figure

Step 1: Check all the contents are available in accordance with the above list.

Step 2: Open the tailgate of the vehicle, place the tailgate seat flat on top, adjust it to the appropriate position, and mark the holes position.

Step 3: Due to the lack of suitable holes positions on the original tailgate, users need to drill holes with a diameter of about 3mm on their own.

Step4: Because the rear end of the tailgate is uneven and has a gap, in order to prevent the tailgate seat from collapsing, it is necessary to fill the gap with blocks (as shown in the figure below), and finally lock it with self-tapping bolts.



NOTE

Any damages and losses caused by improper installation and application, goes beyond our quality warranty.