



TEL: 1-866-XANATOS

INSTALLATION INSTRUCTIONS

85" CUTLASS RUNNING BOARDS

**19-23 CHEVY SILVERADO/GMC SIERRA 1500 CREW CAB (Incl. Diesel models with
DEF tanks, 2022 Silverado 1500 LTD and 2022 Sierra 1500 Limited)**

20-23 CHEVY SILVERADO/GMC SIERRA 2500/3500 CREW CAB

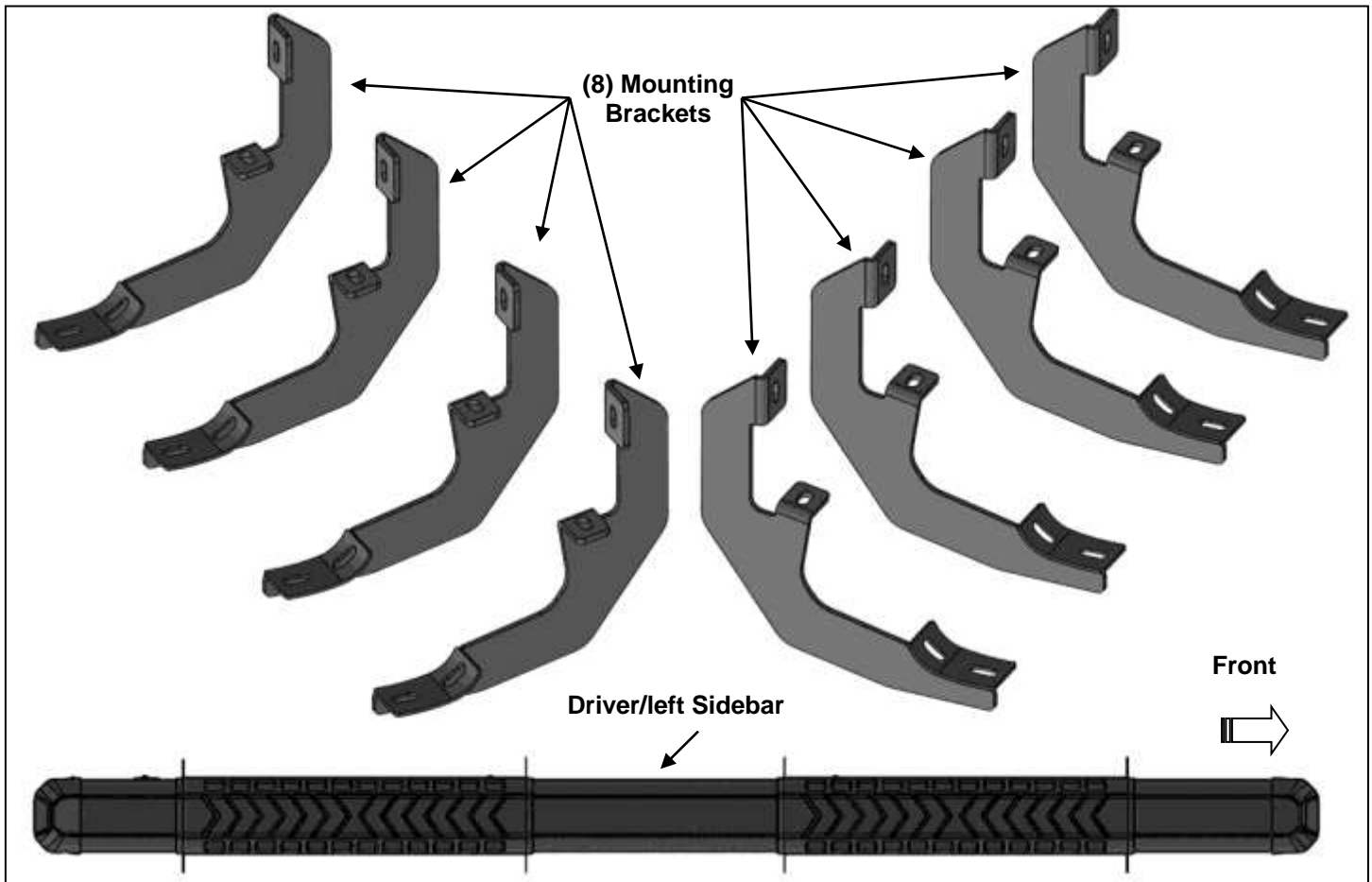
(Incl. Diesel models with DEF tanks)

PART#RN-GMSIL-85-19

5IN SABER OVAL STRAIGHT SIDEBAR
19-23 1500 SILVERADO/SIERRA CREW CAB
(INCLUDES DIESEL MODELS W/DEF, 2022 SILVERADO 1500 LTD AND 2022 SIERRA 1500 LIMITED)
20-23 2500/3500 SILVERADO/SIERRA CREW CAB (INCLUDES DIESEL MODELS W/DEF)

PARTS LIST:

1	Driver/left Sidebar	16	8-1.25mm x 30mm Hex Bolts
1	Passenger/right Sidebar	32	8mm Lock Washers
8	Mounting Brackets	32	8mm x 24mm x 2mm Flat Washers
16	8mm T-Bolts	16	8-1.25mm Hex Nuts



PROCEDURE:

REMOVE CONTENTS FROM BOX. VERIFY ALL PARTS ARE PRESENT. READ INSTRUCTIONS CAREFULLY BEFORE STARTING INSTALLATION. ASSISTANCE IS RECOMMENDED.

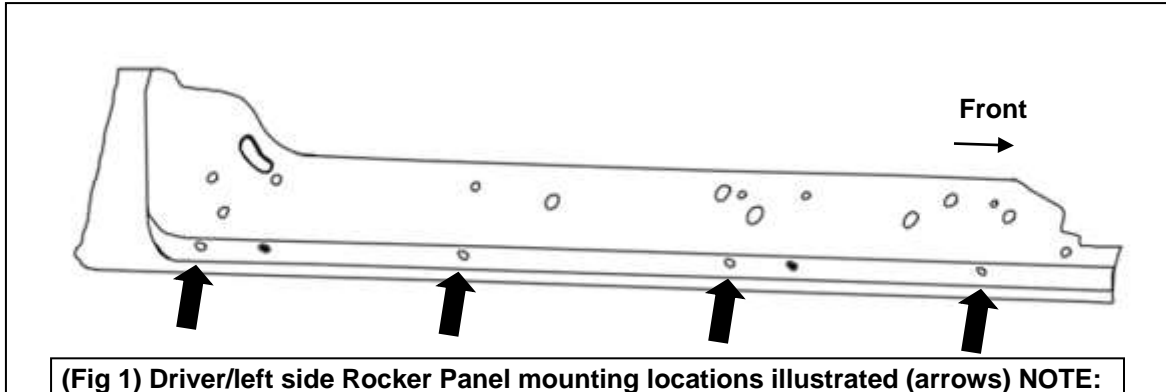
1. Start the installation under the driver side of the vehicle. Locate the 6 plugs along the bottom edge of the body. Mounting Brackets will bolt to the 1st, 3rd, 4th and 6th threaded mounting holes, **(Figures 1—6)**. Remove the plastic plugs from each mounting location. Directly above each threaded insert is a top mounting location on the side of the body panel. Hold a Bracket up in place to help determine the mounting holes to use along the body. **NOTE:** Thread an 8mm Hex Bolt into the threaded inserts to clear paint as required.
2. Select (1) Mounting Bracket. Starting at the front of the driver/left side, bolt the Mounting Bracket to the factory threaded holes with (2) 8mm Hex Bolts, (2) 8mm Lock Washers and (2) 8mm Flat Washers, **(Figures 7 & 8)**. Do not tighten hardware at this time.
3. Repeat **Steps 1 & 2** to install (3) Mounting Brackets on the remaining driver/left side mounting locations along the body panel, **(Figures 9—11)**.
4. Select the Driver/left Sidebar. Use the illustration above to help determine the correct Sidebar. Place the Sidebar on top of the Brackets. **IMPORTANT:** Do not slide, (front to back), the Sidebar on the Brackets or damage to the finish may result. Locate the channel openings in the bottom of the Sidebar.

5IN SABER OVAL STRAIGHT SIDEBAR
19-23 1500 SILVERADO/SIERRA CREW CAB
(INCLUDES DIESEL MODELS W/DEF, 2022 SILVERADO 1500 LTD AND 2022 SIERRA 1500 LIMITED)
20-23 2500/3500 SILVERADO/SIERRA CREW CAB (INCLUDES DIESEL MODELS W/DEF)

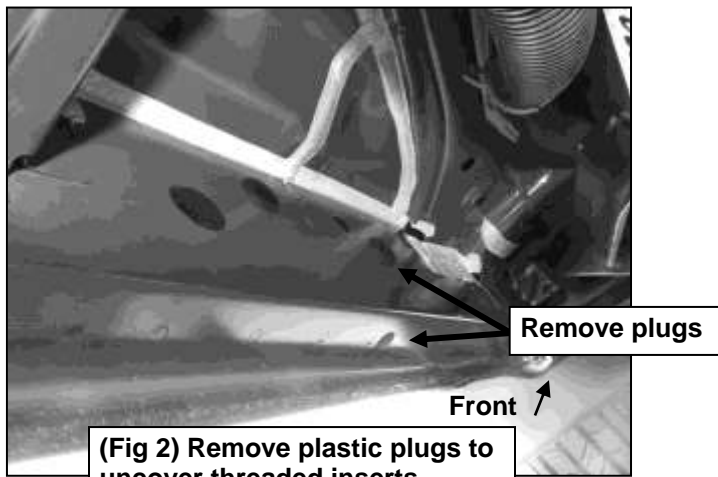
Select (6) 8mm T-Bolts, **(Figure 12)**. Insert the T-Bolts into the channels in the bottom of the Sidebar closest to the Brackets, **(Figure 13)**. Lift the Sidebar up and guide the studs through the Brackets.

5. Attach the Sidebar to the Brackets with (8) 8mm Flat Washers, (8) 8mm Lock Washers and (8) 8mm Hex Nuts, **(Figure 14)**.
6. Level and adjust the Sidebar and fully tighten all hardware.
7. Repeat **Steps 1—6** to install the Passenger/right Sidebar.
8. Do periodic inspections to the installation to make sure that all hardware is secure and tight.

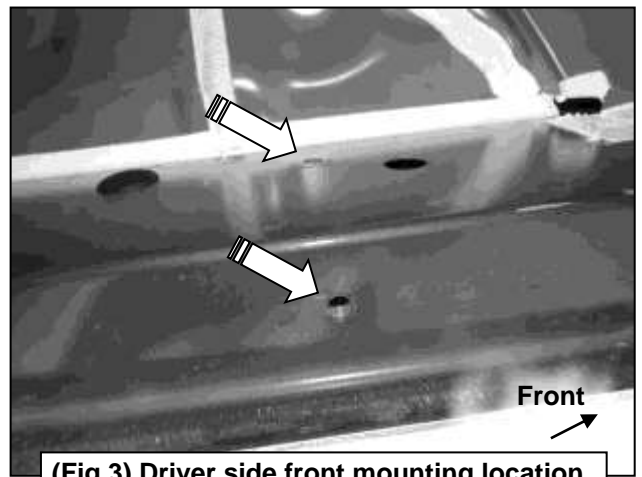
To protect your investment, wax this product after installing. Regular waxing is recommended to add a protective layer over the finish. Do not use any type of polish or wax that may contain abrasives that could damage the finish. Aluminum polish may be used to polish small scratches and scuffs on the finish. Mild soap may be used also to clean Sidebars.



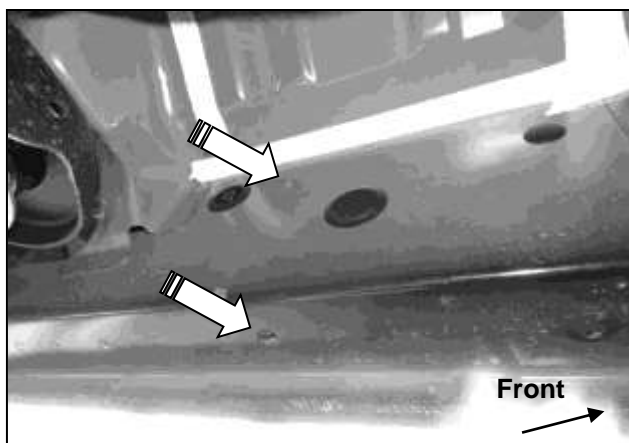
(Fig 1) Driver/left side Rocker Panel mounting locations illustrated (arrows) NOTE: Hold Bracket up to body panel to help determine the correct mounting locations.



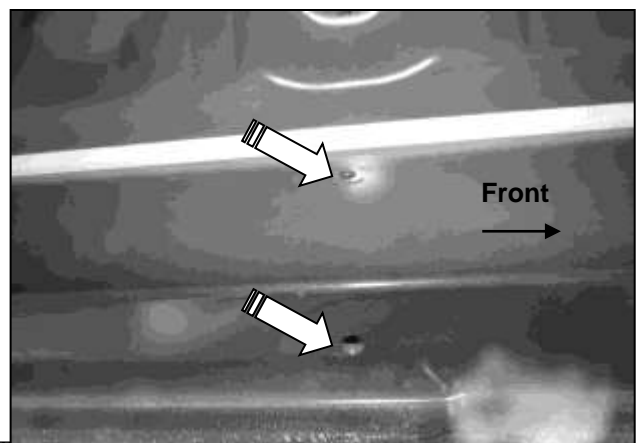
(Fig 2) Remove plastic plugs to uncover threaded inserts



(Fig 3) Driver side front mounting location



(Fig 4) Driver side 2nd mounting location

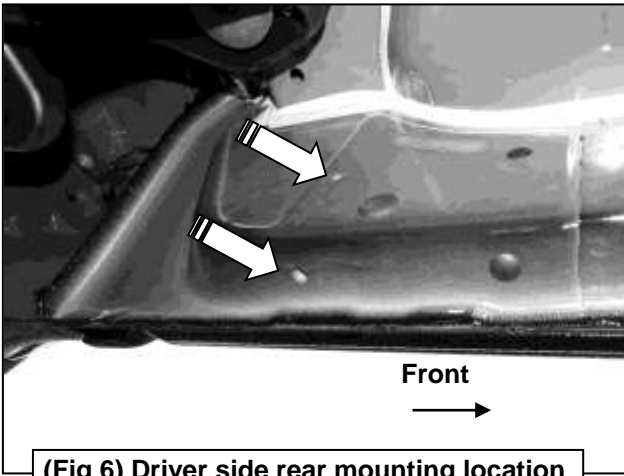


(Fig 5) Driver side 3rd mounting location

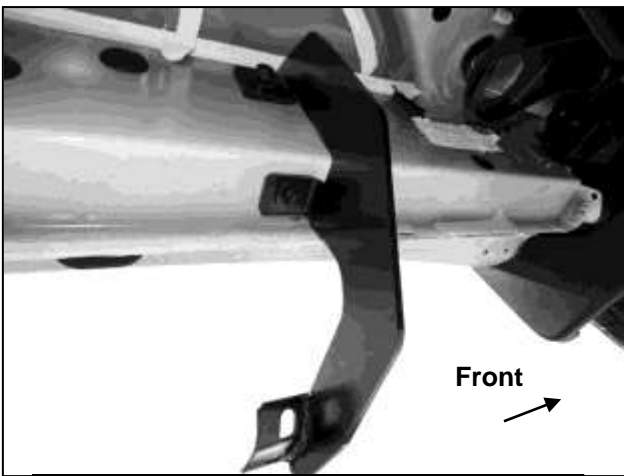
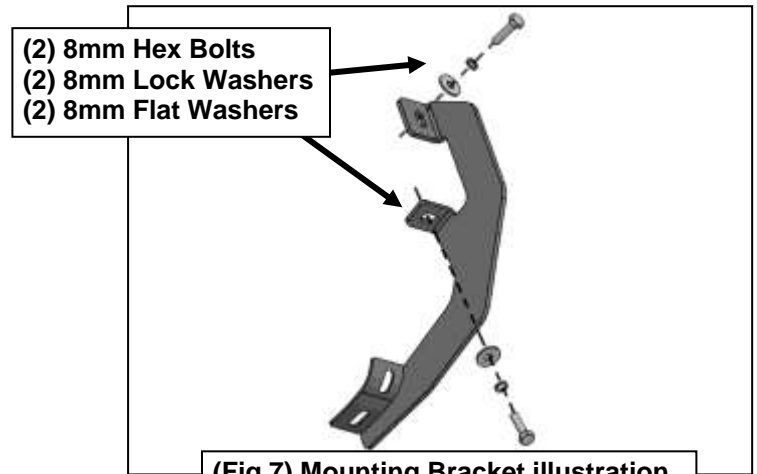
part NY11520 T

5IN SABER OVAL STRAIGHT SIDEBAR
19-23 1500 SILVERADO/SIERRA CREW CAB
(INCLUDES DIESEL MODELS W/DEF, 2022 SILVERADO 1500 LTD AND 2022 SIERRA 1500 LIMITED)
20-23 2500/3500 SILVERADO/SIERRA CREW CAB (INCLUDES DIESEL MODELS W/DEF)

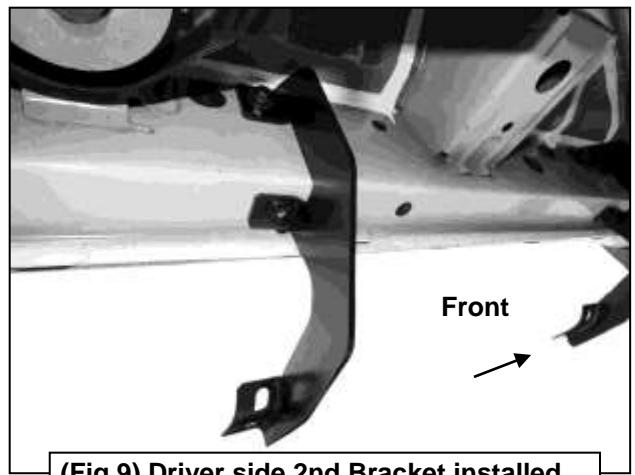
Driver/left side Installation Pictured



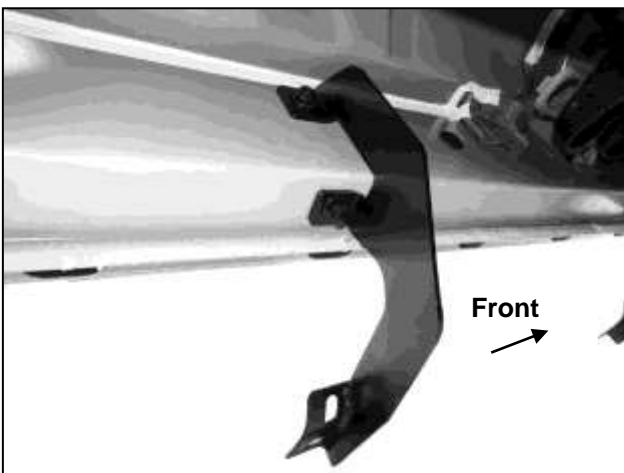
(Fig 6) Driver side rear mounting location



(Fig 8) Driver side front Bracket installed



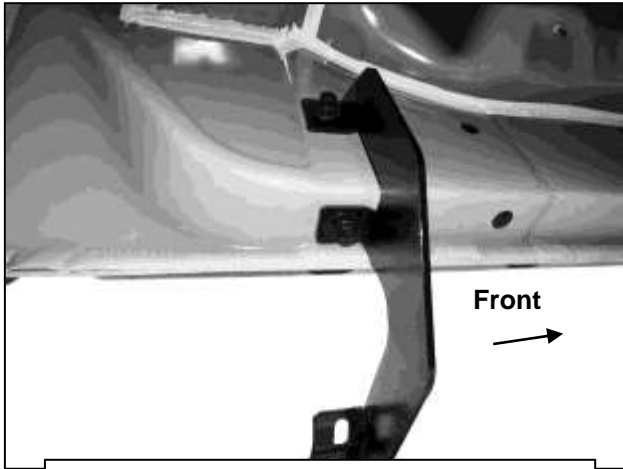
(Fig 9) Driver side 2nd Bracket installed



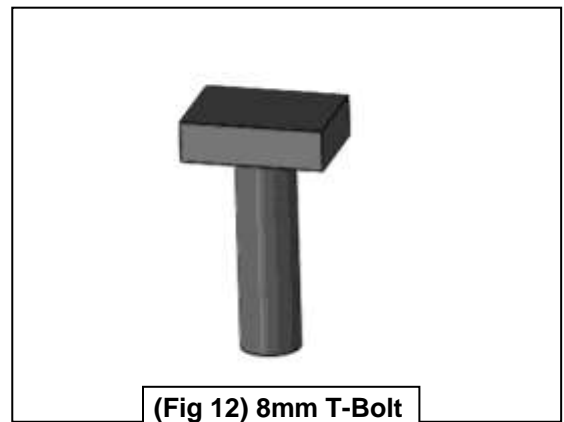
(Fig 10) Driver side 3rd Bracket installed

5IN SABER OVAL STRAIGHT SIDEBAR
19-23 1500 SILVERADO/SIERRA CREW CAB
(INCLUDES DIESEL MODELS W/DEF, 2022 SILVERADO 1500 LTD AND 2022 SIERRA 1500 LIMITED)
20-23 2500/3500 SILVERADO/SIERRA CREW CAB (INCLUDES DIESEL MODELS W/DEF)

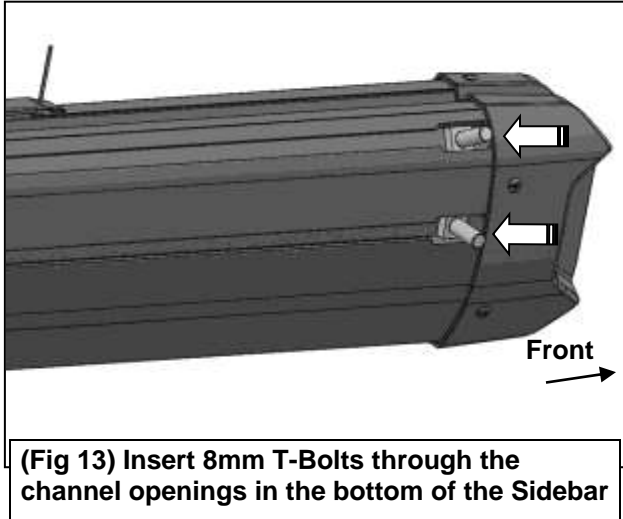
Driver/left side Installation Pictured



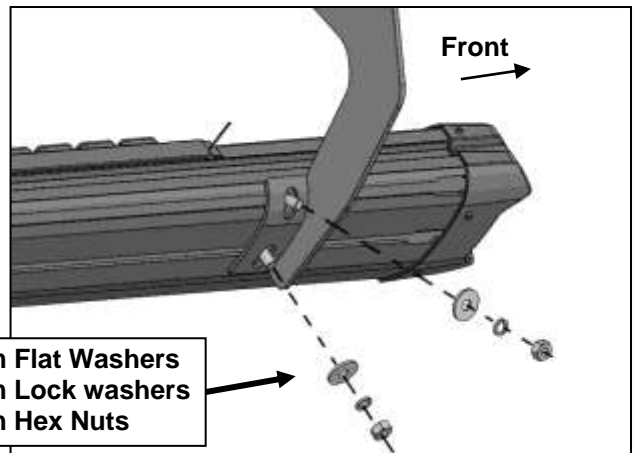
(Fig 11) Driver side rear Bracket installed



(Fig 12) 8mm T-Bolt



(Fig 13) Insert 8mm T-Bolts through the channel openings in the bottom of the Sidebar



(Fig 14) Sidebar attached to Bracket illustrated