

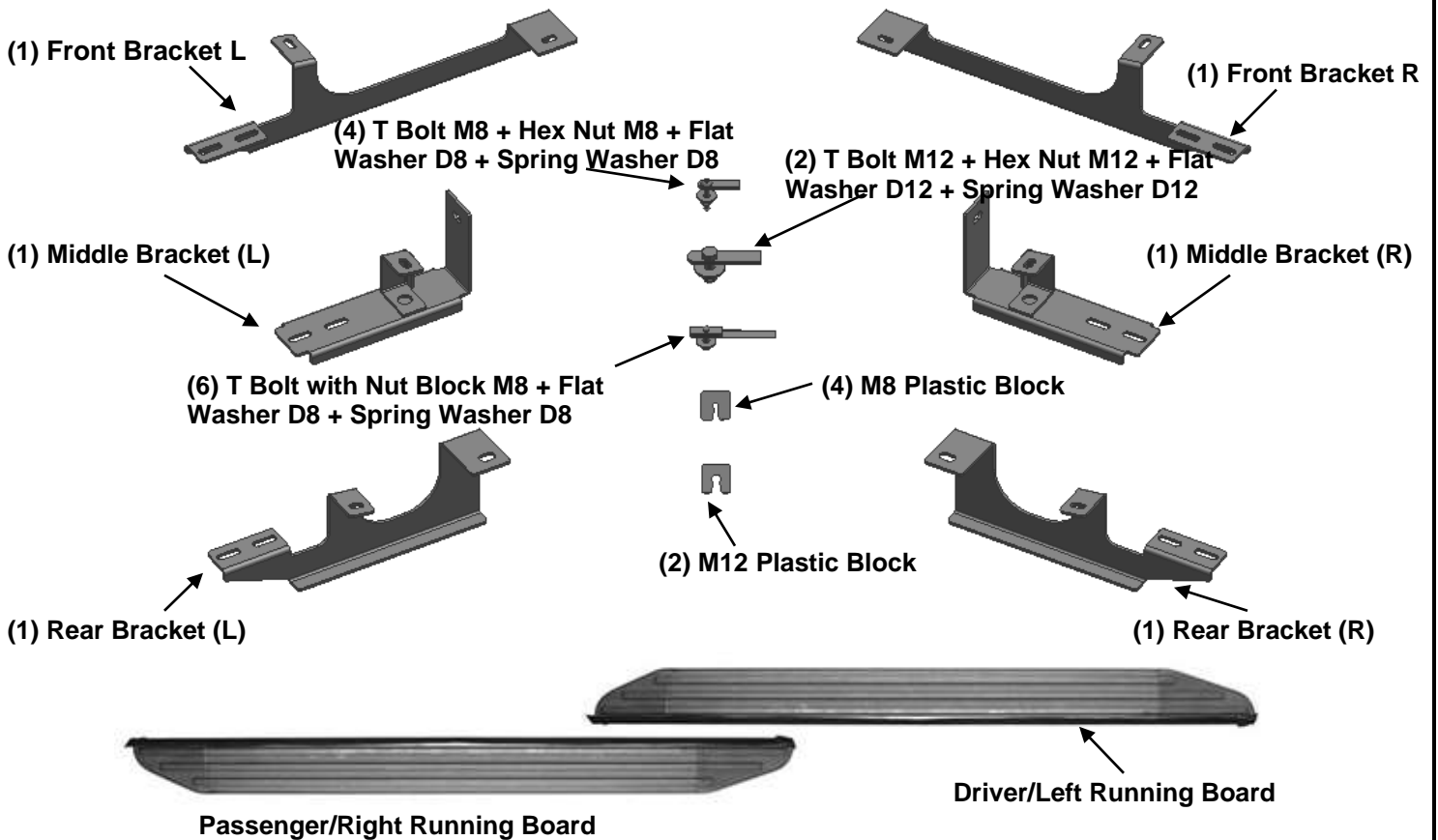


INSTALLATION INSTRUCTIONS
VORTEX RUNNING BOARD FOR CHEVY EQUINOX/ GMC TERRAIN
18- 20
PART # VO-G770

VORTEX RUNNING BOARD BRACKETS FOR CHEVY EQUINOX/ GMC TERRAIN 18- 20

PARTS LIST:

Qty	Description	Qty	Description
1	Front Bracket L	4	M8 Plastic Block
1	Front Bracket R	2	M12 Plastic Block
1	Middle Bracket (L)	10	Spring Washer D8
1	Middle Bracket (R)	2	Spring Washer D12
1	Rear Bracket (L)	10	Flat Washer D8(8*24*2mm)
1	Rear Bracket (R)	2	Flat Washer D12(12*37*3mm)
2	T Bolt M12	4	Hex Nut M8
4	T Bolt M8	2	Hex Nut M12
6	T Bolt with Nut Block M8	6	Hex Bolt M8_25



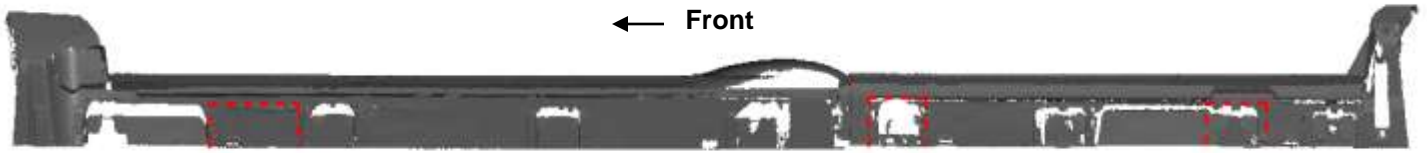
PROCEDURE:

1. **REMOVE CONTENTS FROM BOX. VERIFY ALL PARTS ARE PRESENT. READ INSTRUCTIONS CAREFULLY BEFORE STARTING INSTALLATION.**
2. According to the square area (figure 1) shown in the figure, cut the enclosure to ensure that the normal installation of the original vehicle enclosure will not be affected after the completion of the brackets installation.
3. Select the driver side front inner Bracket. Put (2) T Bolts M8 in the installation hole of Front Bracket as shown in the figure, **(Figure 2)**. **NOTE: Make sure that the welded-on washers are fully seated in the large openings in the floor at all times before tightening hardware.**
4. Bolt the driver side outer Bracket to the back of the inner Bracket with the included (2) **Spring Washers D8**, (2) **Flat Washers D8 (8*24*2mm)**, (2) **Hex Nuts M8 (Figure 2A)**. Leave hardware loose at this time.
5. Move along the floor panel to the center of the vehicle, **(Figure 3)**. Select (2) **T Bolts with Nut Block M8, (Figure 3B)**. After the T Bolts with Nut Block is put into the installation hole, clamp the installation hole between nut block and plate to prevent nut block from falling off.
6. Select the driver side Center Support Bracket. Hang the Support Bracket from the outer Bolt Plate with (2) **Spring Washers D8**, (2) **Flat Washers D8 (8*24*2mm)** and (2) **Hex Bolts M8_25, (Figure 3A)**. Leave loose at this time.
7. Continue along the driver side to the rear of the vehicle. Locate the large factory hole in the bottom of the suspension mount, **(Figure 4)**. Insert (1) **T Bolt M12** into the large hole **(Figure 4)**, installation position as Figure 3 shown). Insert (1) **T Bolts with Nut Block M8 (Figures 3B)** into the hole, installation as Step 5&6 shown, **(Figures 4)**.
8. Select the driver side Rear Support Bracket. Hang the Bracket from the outer Bolt Plate w/Washer with (1) **Hex Nut M12**, (1) **Flat Washer D12 (12*37*3mm)** and (1) **Spring Washer D12, (Figure 4A)**. Leave hardware loose at this time. Select(1) **Spring Washer D8**, (1) **Flat Washer D8 (8*24*2mm)** and (1) **Hex Bolt M8_25** to lock the **T Bolts with Nut Block M8**. Leave hardware loose at this time.
9. Carefully un-wrap the driver side Running Board. Insert (6) 6mm T-Bolts into the slots in the end of the channels, (3 T-Bolts per channel), on the bottom of the Running Board. Hold the Running Board up in approximate position and slide the T-Bolts down to line up with the (3) Mounting Brackets. Tilt the Board up at a slight angle and push back against the vehicle until the T-Bolts fit into the slots in the Brackets. Loosen Bracket hardware and tilt Brackets downward if necessary. Secure the Running Board to the Brackets with (6) 6mm Flat Washers, (6) 6mm Lock Washers and (6) 6mm Hex Nuts. Do not tighten hardware.
10. Level and adjust the Sidebar properly and tighten all hardware.
11. Repeat **Steps 3 – 10** for passenger side Running Board installation.

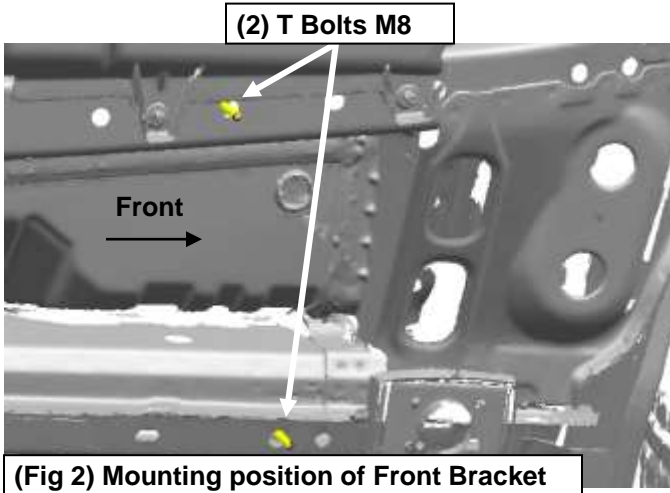
To protect your investment, wax this product after installing. Regular waxing is recommended to add a protective layer over the finish. Do not use any type of polish or wax that may contain abrasives that could damage the finish.

For stainless steel: Aluminum polish may be used to polish small scratches and scuffs on the finish. Mild soap may be used also to clean the Running Board.

Driver Side Installation Pictured

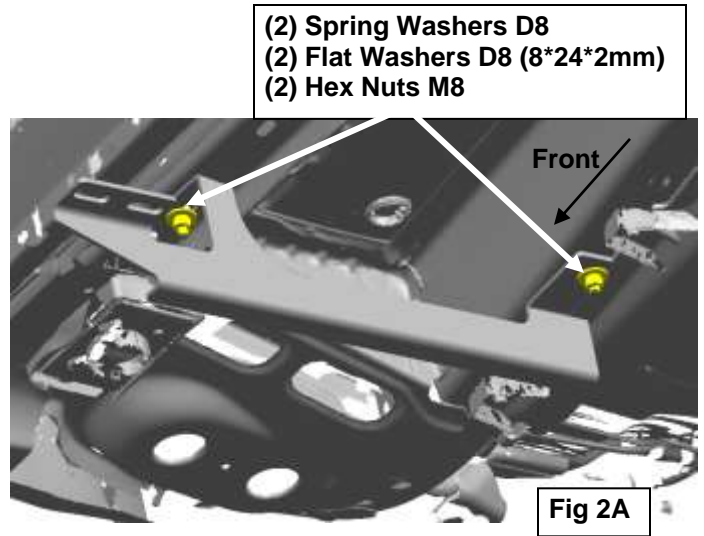


(Fig 1) Cut the square area enclosure, make room for installing bracket



(2) T Bolts M8

(Fig 2) Mounting position of Front Bracket



(2) Spring Washers D8
(2) Flat Washers D8 (8*24*2mm)
(2) Hex Nuts M8

Fig 2A



(Fig 3B)

(2) T Bolt with Nut Block M8

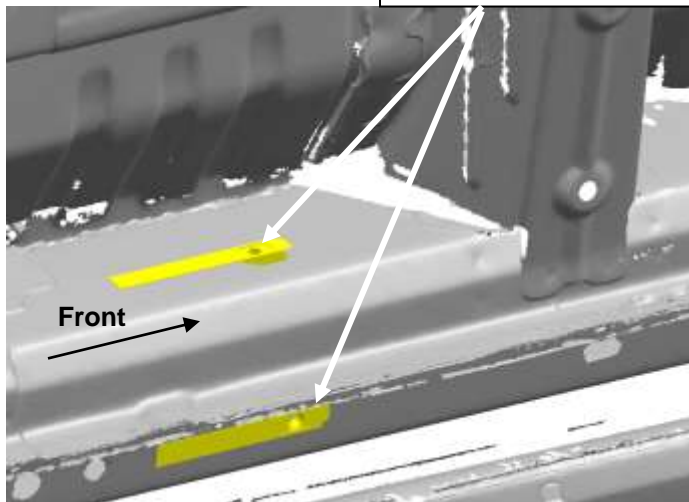
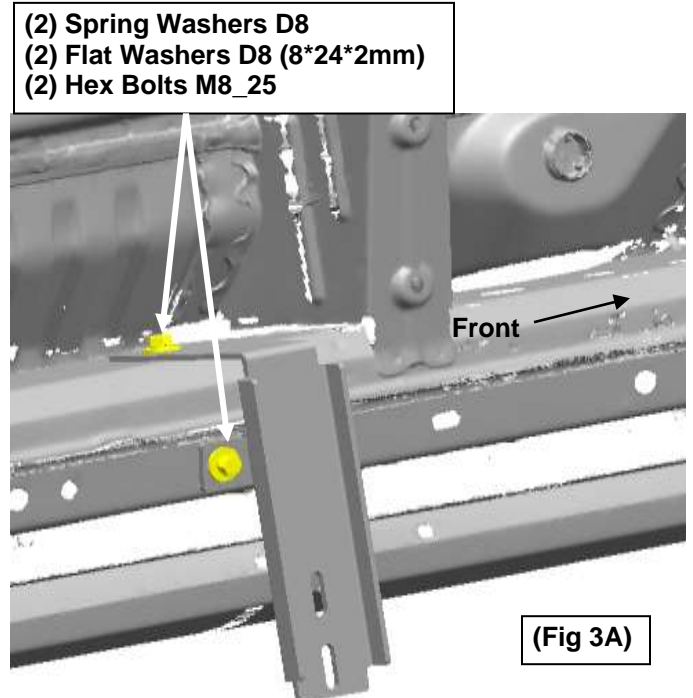


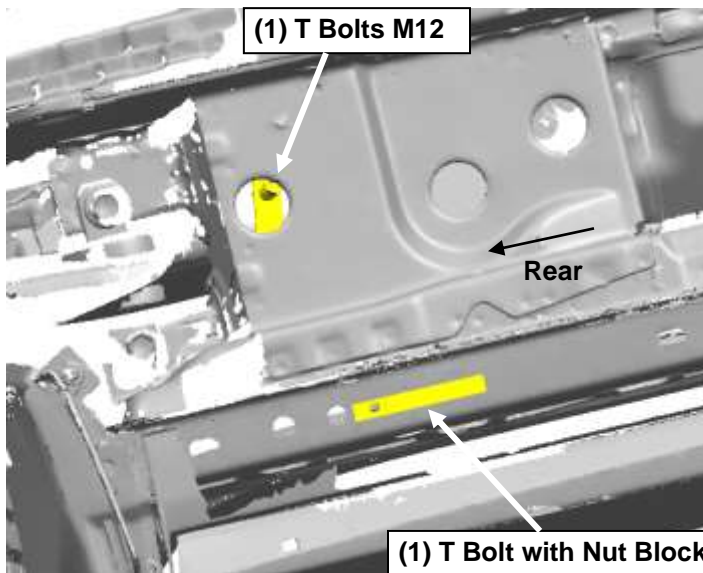
Fig 3 Mounting position of Middle Bracket



(2) Spring Washers D8
(2) Flat Washers D8 (8*24*2mm)
(2) Hex Bolts M8_25

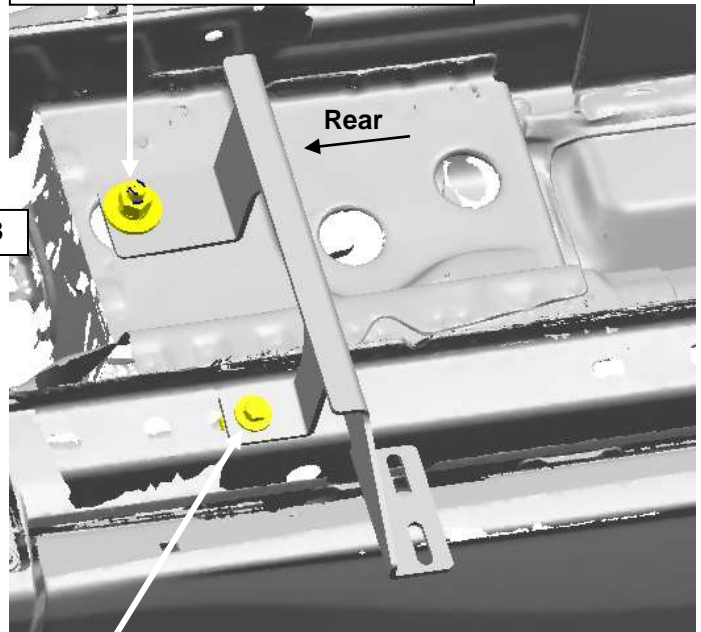
(Fig 3A)

Driver Side Installation Pictured



(Fig 4) Mounting position of Rear Bracket

- (1) Hex Nut M12
- (1) Flat Washer D12 (12*37*3mm)
- (1) Spring Washer D12

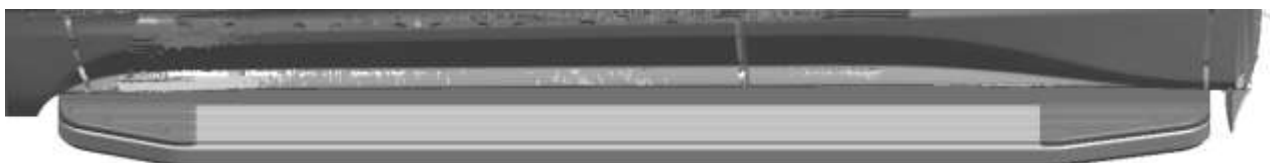


- (1) Hex Bolt M8_25
- (1) Flat Washer D8 (8*24*2mm)
- (1) Spring Washer D8

Fig 4A



(Fig 5) Install running board and tighten all the standard parts



(Fig 6) Complete Installation