

# **INSTALLATION INSTRUCTIONS**

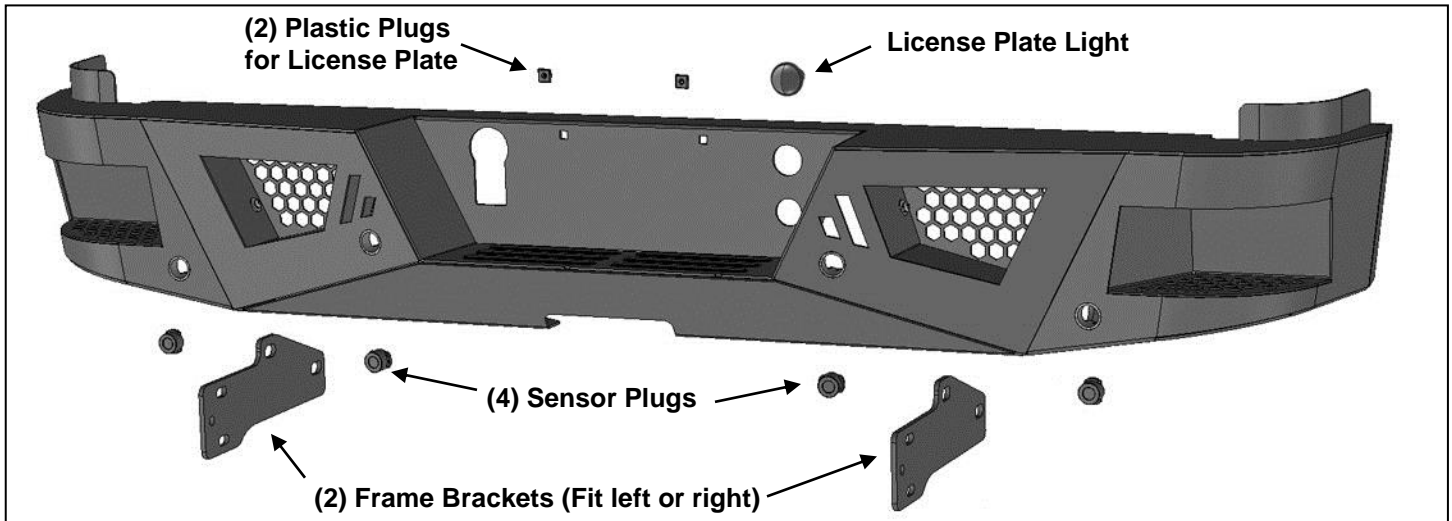
**ARMOUR REAR BUMPER FOR**

**15-21 CHEVY COLORADO**

**PART#ARB-CO15**

## PARTS LIST:

1	ARMOUR Rear Bumper Assembly	6	10mm Lock Washers
2	Mounting Brackets	6	10mm Hex Nuts
2	Plastic Plugs for license plate mount	8	4mm x 10mm Button Head Bolts
4	Sensor Hole Plugs	1	2.5mm Wrench
1	License Plate Light	1	4mm Wrench
6	10-1.5mm x 35mm Hex Bolts	10	Nylon Wire Ties
12	10mm x 30mm x 2.5mm Small Flat Washers		



## PROCEDURE:

**REMOVE CONTENTS FROM BOX. VERIFY ALL PARTS ARE PRESENT. READ INSTRUCTIONS CAREFULLY BEFORE STARTING INSTALLATION. BUMPER IS HEAVY, ASSISTANCE IS RECOMMENDED TO AVOID POSSIBLE INJURY OR DAMAGE TO THE VEHICLE.**

1. Remove the license plate from the bumper. Next, unplug the license plate lights, trailer plug and sensors, (if equipped). Release the wiring harness from the clips attached to the back of the bumper. Move all wiring harnesses away from bumper.
2. Place blocks or jack stands under the bumper to support it during mounting bolt removal. Once the bumper has been safely supported, remove the (4) factory hex bolts attaching the bumper brackets to the sides of the frame or receiver hitch, (if equipped), and remove the bumper, **(Figure 1)**.
3. Remove the sensors, (if equipped), from bumper. Release the clips securing the trailer plug and remove the plug.
4. Select (1) Frame Mounting Bracket. Reuse the (2) factory bumper bracket hex bolts to attach the Bracket to the passenger/right side of the frame, **(Figures 2 & 3)**. Snug but do not fully tighten hardware at this time. Repeat to install the driver/left Mounting Bracket.
5. **Optional LED light installation at ends of bumper** (sold separately).
  - a. Insert light into opening and up to mounting slot. Check for clearance between front and back of light. If necessary, remove the screens from the back of the openings, **(Figure 4)**. **IMPORTANT:** Screens may be easier to remove before Bumper is installed.
  - b. Follow the light manufacturer's instructions to attach each light to slot in the opening.
  - c. Repeat the above steps for remaining light installation.
  - d. Follow light manufacturer's instructions for adjustment and to properly wire the light to the vehicle electrical system after Bumper installation.
6. **NOTE:** Depending on tow package, it may be necessary or easier to install sensors, (if equipped), before installing the Bumper.

**Models without bumper sensors:**

- a. Select the included (4) Rubber Plugs.
- b. From behind bumper, push plugs into sensor mounting holes, **(Figure 5)**.

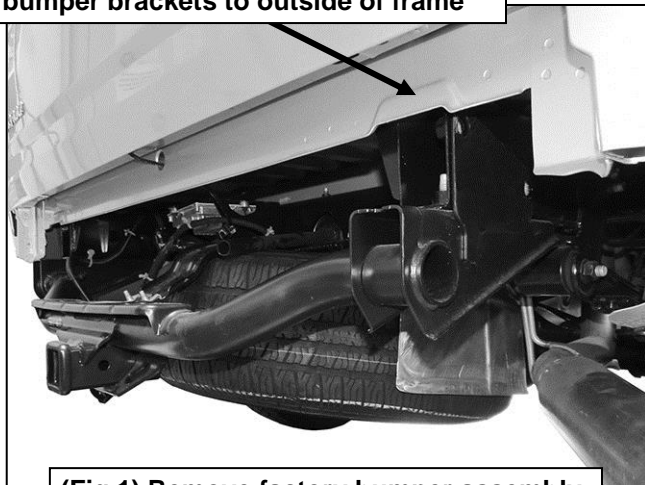
**Models with bumper mounted sensors:**

- a. Push the sensor into the mounting socket in the back of the bumper.
  - b. Secure each sensor to the socket with (2) 4mm x 10mm Button Head Screws, **(Figure 5)**. **IMPORTANT:** Sensors fit snug in sockets. The 4mm Screws are used to apply slight pressure to lock the sensors in place. Tighten both screws evenly until they touch the sensor body only. Do not overtighten screws or damage to sensors will result.
7. With assistance, hold the ARMOUR Bumper assembly up to the Brackets. Temporarily support the weight of the Bumper. **WARNING:** To avoid possible injury or damage to the vehicle, do not proceed until the bumper is fully and safely supported.
  8. Attach the Bumper to the Brackets with the included (6) 10mm x 35mm Hex Bolts, (12) 10mm Flat Washers, (6) 10mm Lock Washers and (6) 10mm Hex Nuts, **(Figures 6 & 7)**. Snug but do not fully tighten hardware at this time.
  9. Level and adjust the bumper and fully tighten all hardware.
  10. Insert the trailer plug into the opening, (if equipped). Attach the wiring harness to the sensors and trailer plug. Use the included Wire Ties to secure the wiring harness to the bumper and frame as necessary.
  11. Use the included (2) push-in plugs to attach the license plate to the Bumper, **(Figure 8)**. Insert the License Plate Light into the lower hole in the Bumper. Connect the harness to the License Plate Light.
  12. Do periodic inspections to the installation to make sure that all hardware is secure and tight.

**To protect your investment**, wax this product after installing. Regular waxing is recommended to add a protective layer over the finish. Do not use any type of polish or wax that may contain abrasives that could damage the finish. Mild soap may be used to clean the Bumper assembly.

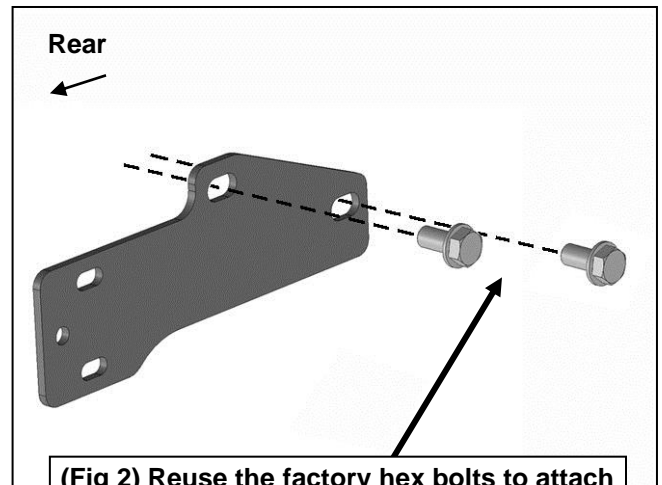
**Passenger/right Side Installation Pictured**

Remove hex bolts to attaching factory bumper brackets to outside of frame



**(Fig 1) Remove factory bumper assembly**

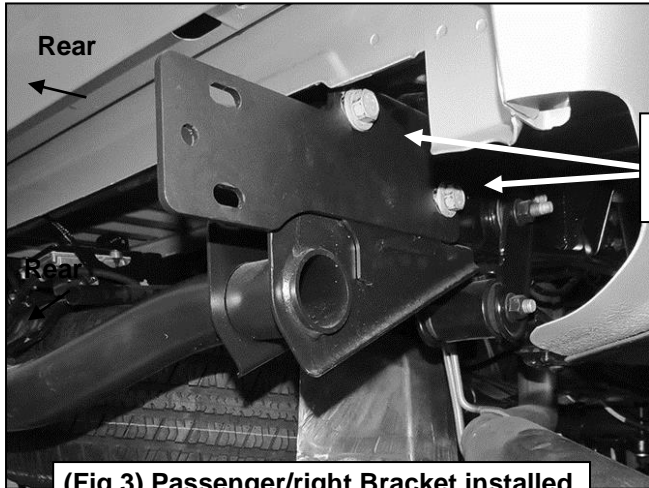
Rear



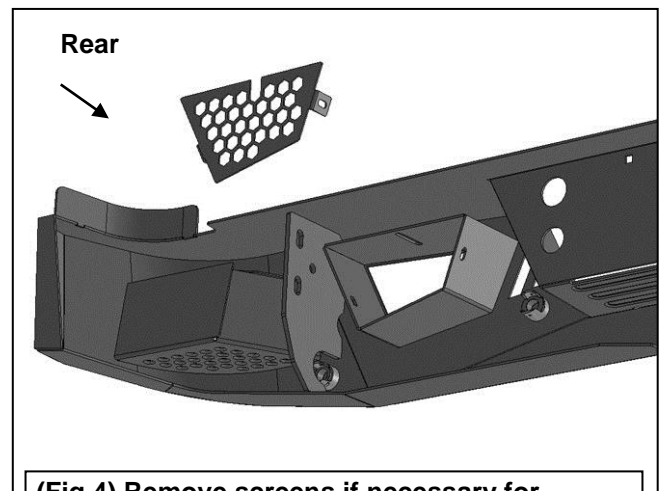
**(Fig 2) Reuse the factory hex bolts to attach Mounting Bracket to outside of frame**

**WARNING!** Do not remove bumper bolts unless the bumper is properly supported on blocks or stands or the bumper may fall.

## Passenger/right Side Installation Pictured

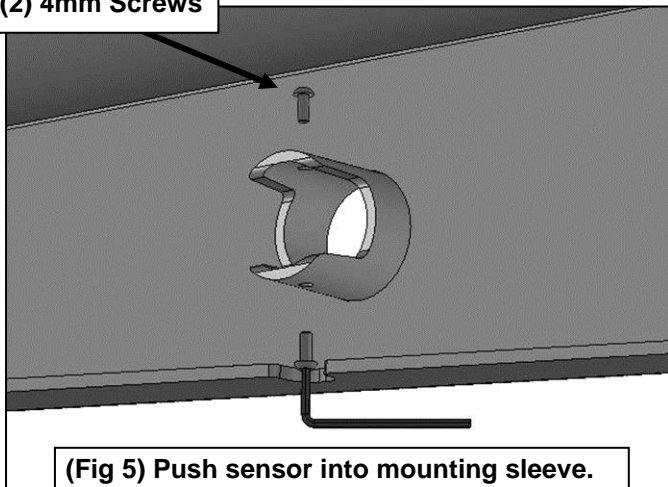


(Fig 3) Passenger/right Bracket installed



(Fig 4) Remove screens if necessary for additional clearance around or access to lights

(2) 4mm Screws

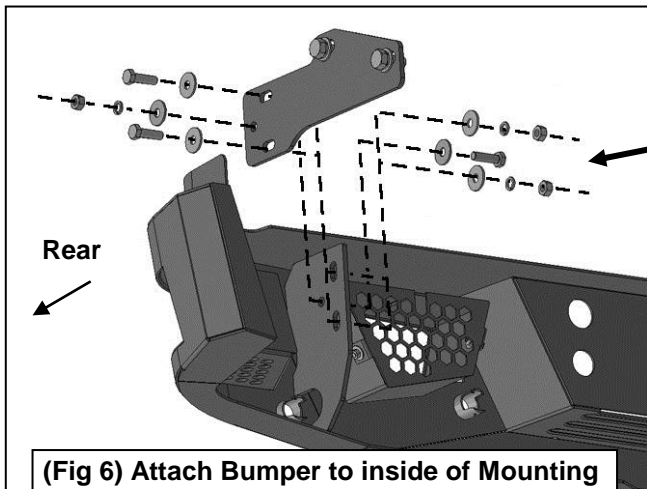


**IMPORTANT:** Sensors fit snug in sockets. The 4mm Screws are only used to apply slight pressure to lock the sensors in place. Tighten both screws evenly until they touch the sensor body only. Do not overtighten screws or damage to sensors will result.

**WARNING!** Do not crawl under bumper unless the bumper is properly supported on blocks or stands or the bumper may fall.

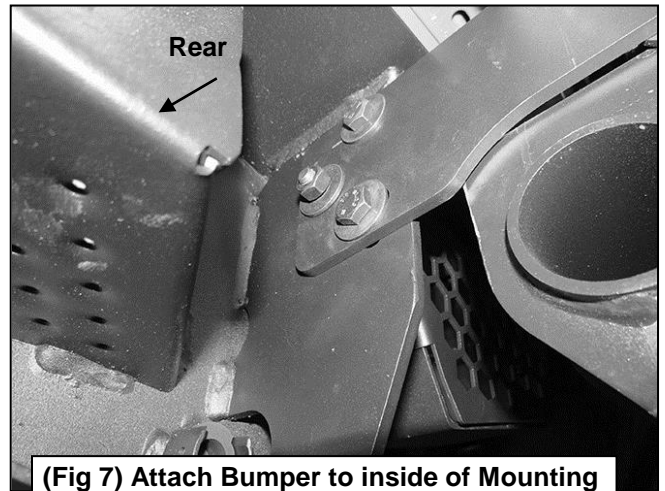
## Passenger/right Side Installation Pictured

**WARNING!** Do not crawl under bumper unless the bumper is properly supported on blocks or stands or the bumper may fall.

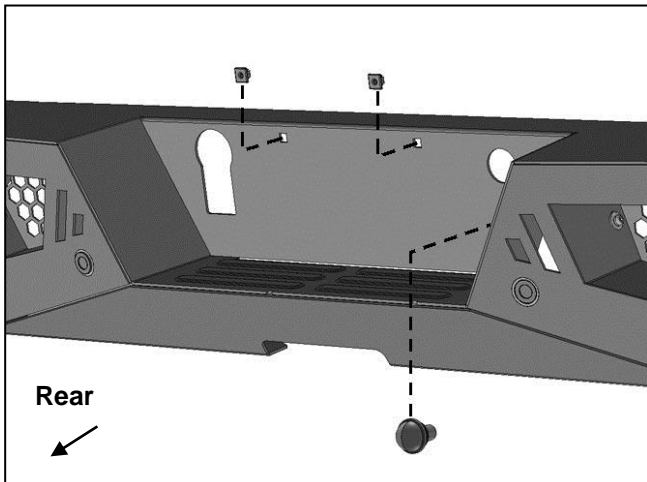


(Fig 6) Attach Bumper to inside of Mounting Brackets, (passenger/right side pictured)

- (3) 10mm x 35mm Hex Bolts
- (6) 10mm Flat Washers
- (3) 10mm Lock Washers
- (3) 10mm Hex Nuts



(Fig 7) Attach Bumper to inside of Mounting Brackets, (passenger/right side pictured)



(Fig 8) Push plastic plugs into holes for license plate

