



TEL: 1-866-XANATOS

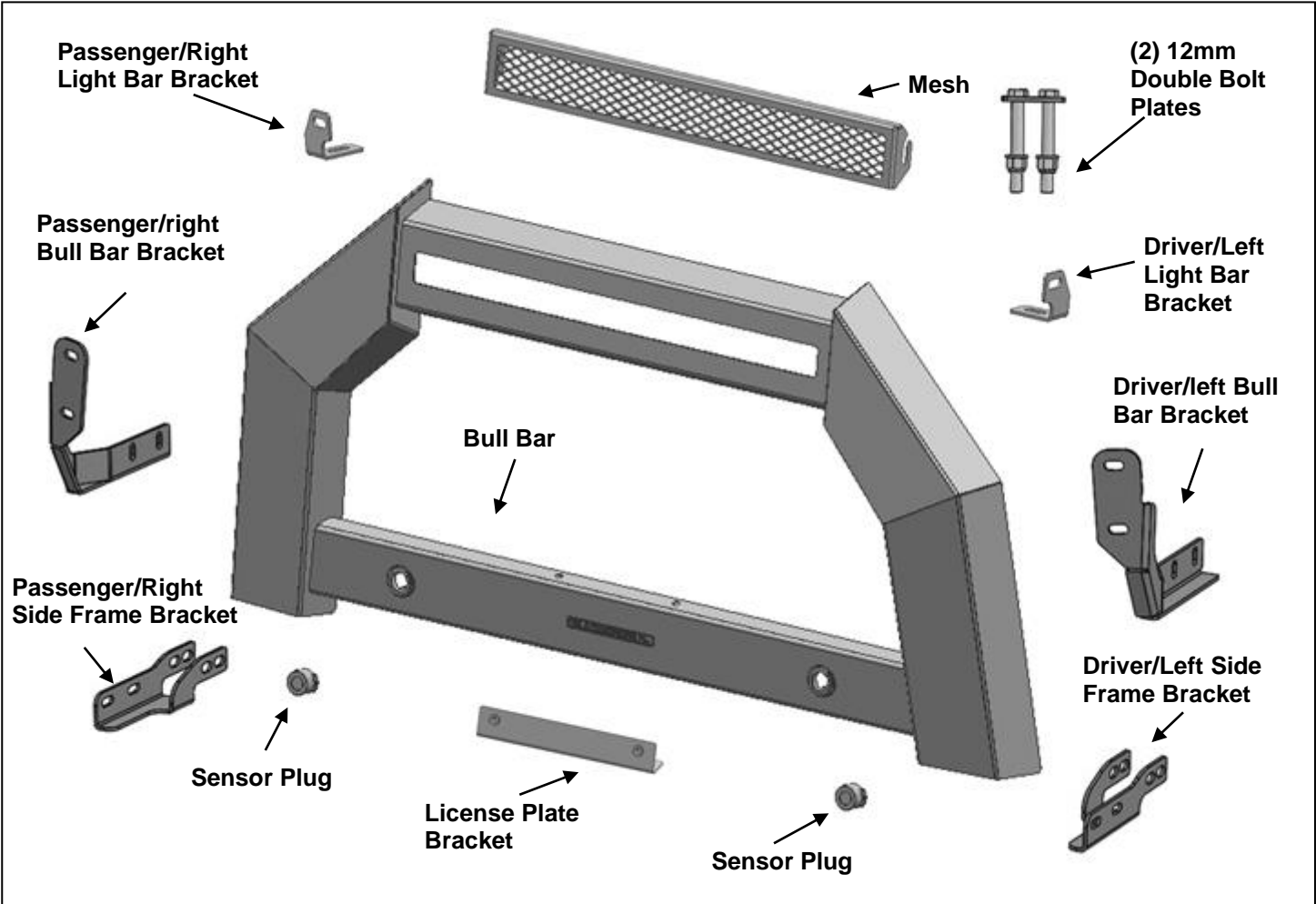
INSTALLATION INSTRUCTIONS

**ARMOUR BULL BAR
FOR 2015-2018 CHEVY COLORADO (Excl. ZR2)/
GMC CANYON**

PART#AB-GM20

PARTS LIST:

1	Bull Bar	4	10mm Lock Washers
1	Driver/Left Side Frame Bracket	4	10-1.5mm Nylon Lock Nuts
1	Passenger/Right Side Frame Bracket	2	8mm Nylon Lock Nuts
1	Driver/Left Side Bull Bar Bracket	2	8-1.25mm x 20mm Hex Bolts
1	Passenger/Right Side Bull Bar Bracket	2	8-1.25mm x 16mm Hex Bolts
1	Driver/Left Side Light Bar Bracket	8	8mm x 24mm x 2mm Flat Washers
1	Passenger/Right Side Light Bar Bracket	4	8mm Lock Washers
1	Mesh	2	8mm Hex Nuts
1	License Plate Bracket	2	6-1.0mm x 20mm Combo Bolts
2	Rubber Sensor Plugs	2	6-1.0mm x 20mm Button Head Bolts
2	12-1.75mm Double Bolt Plates	4	6mm x 18mm x 1.6mm Flat Washers
4	12mm x 24mm x 2.5mm Flat Washers	2	6mm Lock Washers
4	12mm Hex Nuts	2	6mm Hex Nuts
4	12mm Lock Washers	4	4mm x 10mm Button Head Bolts (Backup Accessories)
4	10-1.5mm x 30mm Hex Bolts	1	Wrench S=4 (Backup Accessories)
4	10-1.5mm x 25mm Hex Bolts	1	Wrench S=2.5
12	10mm x 30mm x 2.5mm Flat Washers		



PROCEDURE:

REMOVE CONTENTS FROM BOX AND VERIFY ALL PARTS ARE PRESENT. READ INSTRUCTIONS CAREFULLY. CUTTING MAY BE REQUIRED. INSTALLATION MAY INTERFERE WITH FRONT MOUNTED SENSORS.

1. Start installation from under the front of the vehicle. Remove the plastic splash guard from below-behind bumper, **(Figure 1)**. Determine if the vehicle is equipped with tow hooks. **IMPORTANT:** Tow hooks cannot be reinstalled with the Bull Bar. Also, it may be necessary to temporarily remove the factory skid plate, (if equipped), to access the mounting locations.

Tow Hook equipped vehicles:

- a. Remove the driver side tow hook and hardware from the end of the frame channel, **(Figures 2 & 3)**. Also remove the seal between the opening in the bumper and the tow hook, **(Figure 4)**.
- b. Repeat to remove the passenger side tow hook and proceed to **Step 2**.

Vehicles without tow hooks:

- a. Cut out the indented area in both sides of the plastic bumper to clear the Brackets as pictured, **(Figures 5 & 6)**. **IMPORTANT:** Make several small cuts for best fit. **OPTION:** Cut around the Bracket as indicated, **(Figure 6)**, or cut along the rectangular cut line molded into the pocket, **(Figure 4)**.
2. Select the driver side Frame Bracket. Insert the Bracket through the opening in the bumper and up to the tow hook mounting holes, **(Figures 7 & 8)**. Trim the plastic as required for Bracket clearance.
 3. Line up the (2) holes in the Bracket with the (2) holes in the frame for the tow hook. Select the 12mm Double Bolt Plate, **(Figure 8)**. Insert the Bolt Plate through the Bracket and the (2) holes through the frame, **(Figures 8 & 9)**. Secure with (2) 12mm Flat Washers and (2) 12mm Nylon Lock Nuts. Do not fully tighten hardware at this time.
 4. Repeat **Steps 2 & 3** to install the passenger side Frame Bracket.
 5. Select the driver side Bull Bar Bracket. Position the Bull Bar Bracket on the outside of the Frame Bracket. Use the included (2) 10mm x 30mm Hex Bolts, (4) 10mm x 30mm Flat Washers and (2) 10mm Nylon Lock Nuts to attach the Bull Bar Bracket to the Frame Bracket, **(Figure 10)**. Repeat this step to install the passenger side Bull Bar Bracket.
 6. Relocation of front license plate is not required, but strongly recommended.
 - a. Attach the License Plate Bracket to the Bull Bar with (2) 6mm Button Head Bolts, (4) 6mm Flat Washers, (2) 6mm Lock Washers and (2) 6mm Hex Nuts, **(Figure 11)**. Use (2) 6mm Combination Bolts to attach the front license plate to the Bracket, **(Figure 11)**.
 7. **Mesh and LED Light installation, (LED light sold separately)**. Select the driver/left side Light Bar Bracket. Attach the Bracket to the back of the mounting plate on the Bull Bar with (1) 8mm x 20mm Hex Bolt, (2) 8mm Flat Washers, (1) 8mm Lock Washer and (1) 8mm Hex Nut, **(Figure 12)**. Repeat this step to attach the passenger/right side Light Bar Bracket to the back of the Bull Bar. Do not tighten hardware.

LED Light Installation

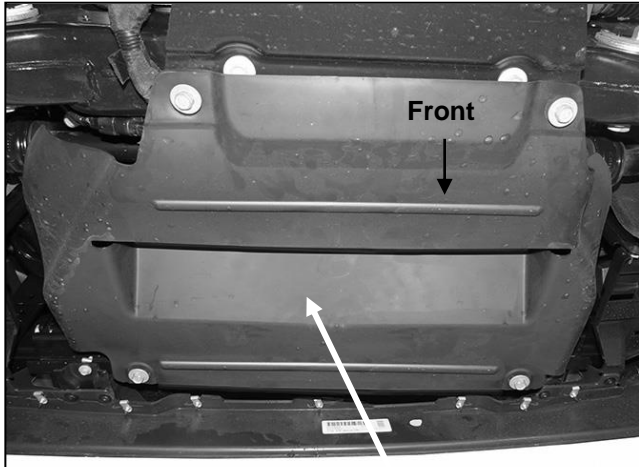
- a. Use (2) 8mm x 16mm Hex Bolts, (2) 8mm Lock Washers and (2) 8mm Flat Washers to attach the Light Bar Brackets to the Bull Bar, **(Figure 13)**.
- b. Follow the light manufacturer's instructions to attach the Bull Bar.
- c. Follow light manufacturer's instructions to properly wire the Bull Bar.

Mesh installation

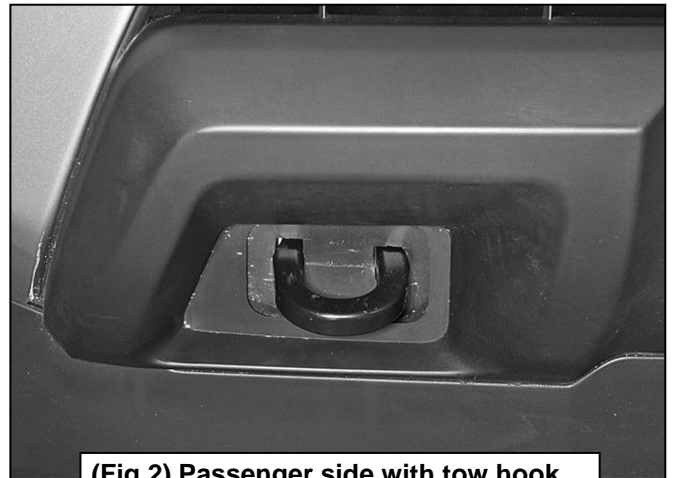
- a. Use (2) 8mm x 16mm Hex Bolts, (4) 8mm Flat Washers, (2) 8mm Lock Washers and (2) 8mm Hex Nuts to attach the Mesh to the inside surface of the Light Bar Brackets, **(Figure 14)**.
 - b. Level and adjust the Brackets to the Mesh Panel and fully tighten hardware.
8. With assistance, hold up the assembled Bull Bar to the Bull Bar Brackets. Align the (4) bottom holes on the Uprights with the Bull Bar Brackets. Bolt the assembled Bull Bar to the Brackets with (4) 10mm x 25mm Hex Bolts, (4) 10mm Lock Washers and (4) 10mm x 30mm Flat Washers, **(Figure 15 & 16)**. Do not tighten hardware at this time.
 9. Select the (2) Sensor Plugs. Push the sensor plugs into the sensor sleeves behind the Bull Bar, **(Figure 17)**.

10. Check the Bull Bar alignment with the vehicle and for clearance between the Bull Bar and the bumper.
Adjust as required then fully tighten all hardware at this time.
11. Reinstall the plastic splash guard or skid plate removed in **Step 1, (Figure 1)**.
12. Do periodic inspections to the installation to make sure that all hardware is secure and tight.

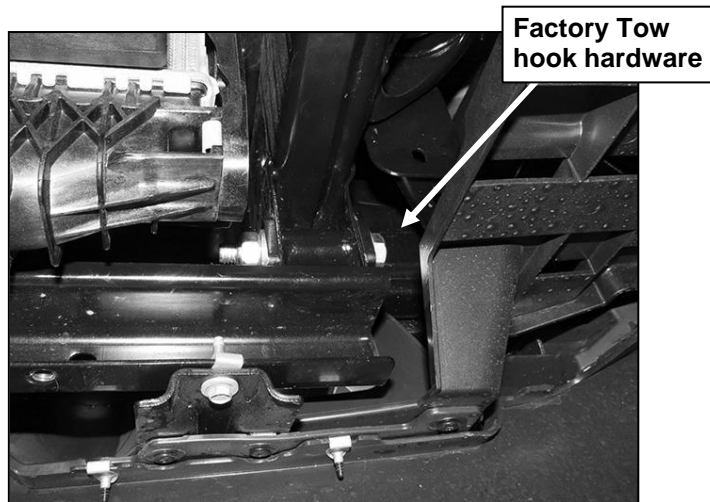
To protect your investment, wax this product after installing. Regular waxing is recommended to add a protective layer over the finish. Do not use any type of polish or wax that may contain abrasives that could damage the finish. Mild soap may be used to clean the Bull Bar.



(Fig 1) Remove splash guard or skid plate from bottom of engine behind bumper if necessary



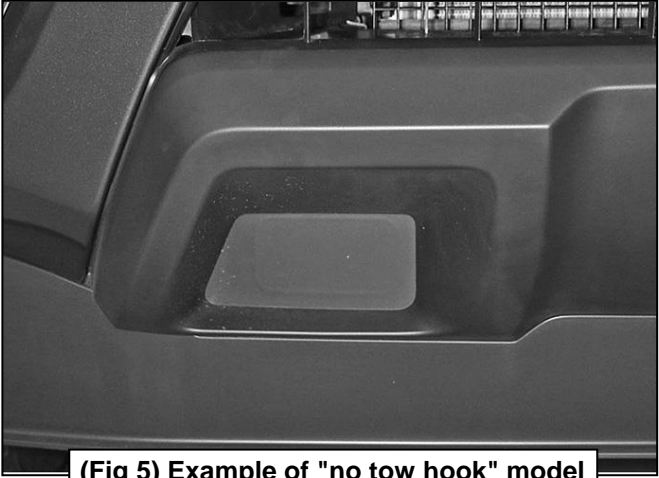
(Fig 2) Passenger side with tow hook



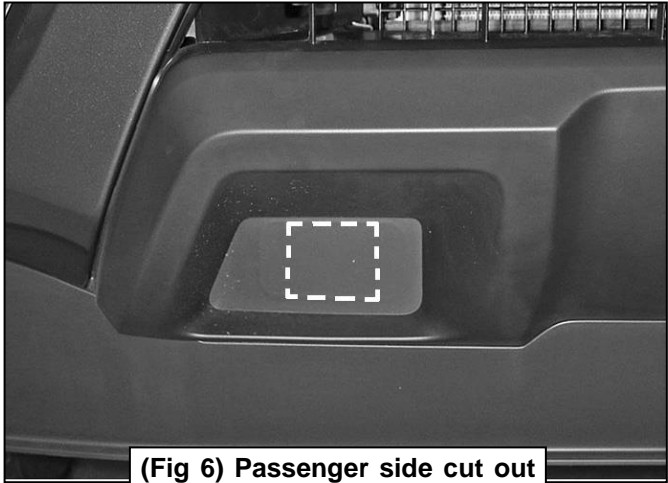
(Fig 3) Passenger side from behind bumper



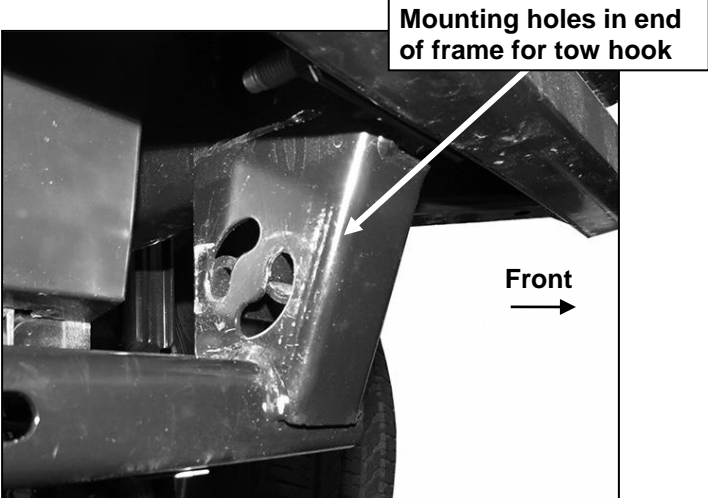
(Fig 4) Driver side after tow hook removed



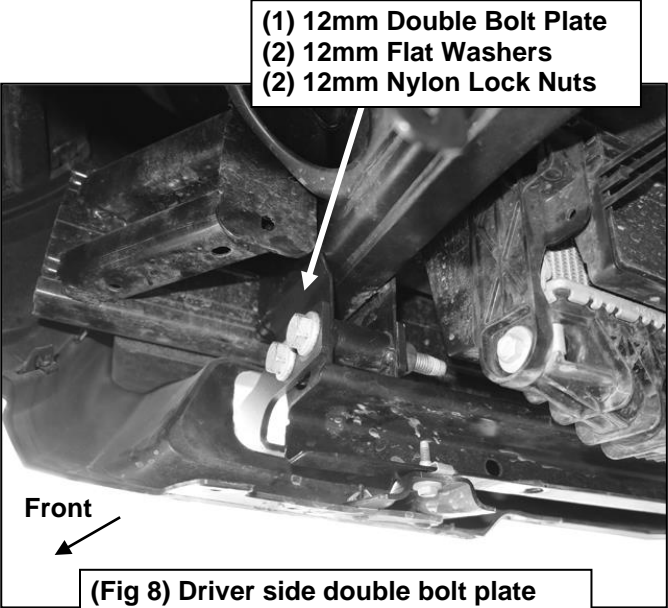
(Fig 5) Example of "no tow hook" model



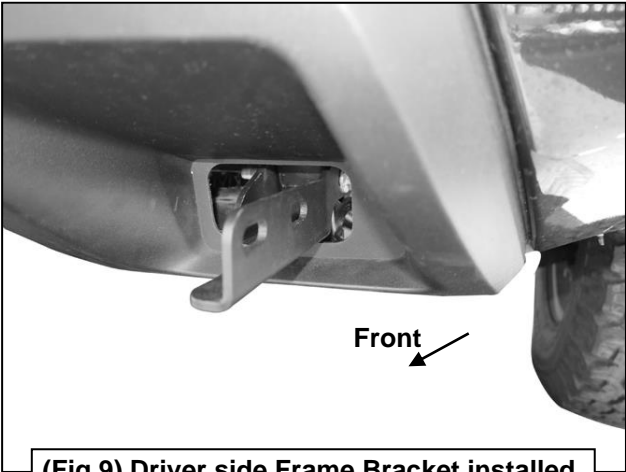
(Fig 6) Passenger side cut out illustrated for reference only



(Fig 7) Driver side pictured without bumper for instruction purposes only. Do not remove bumper

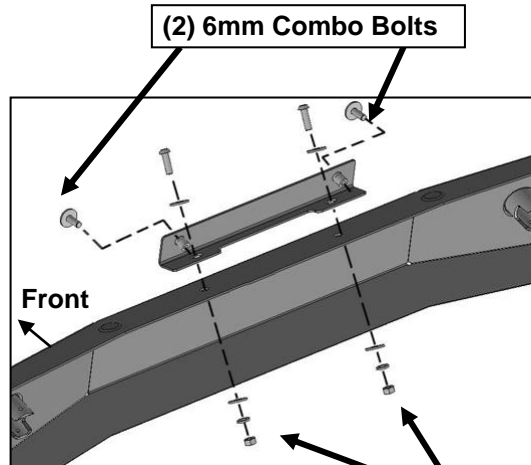
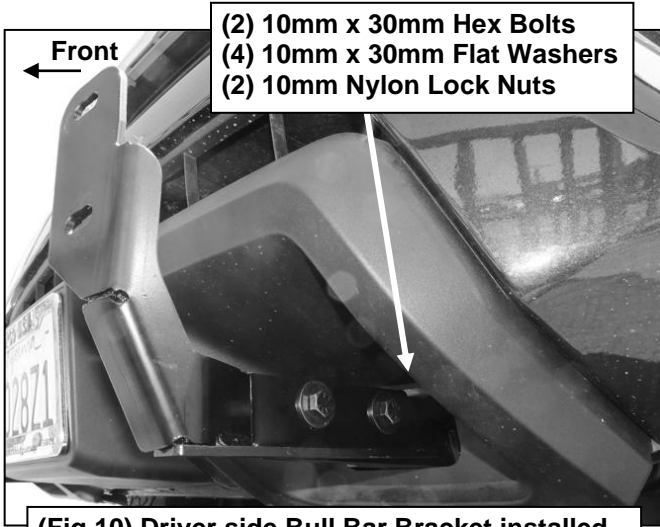


(Fig 8) Driver side double bolt plate pictured from behind bumper



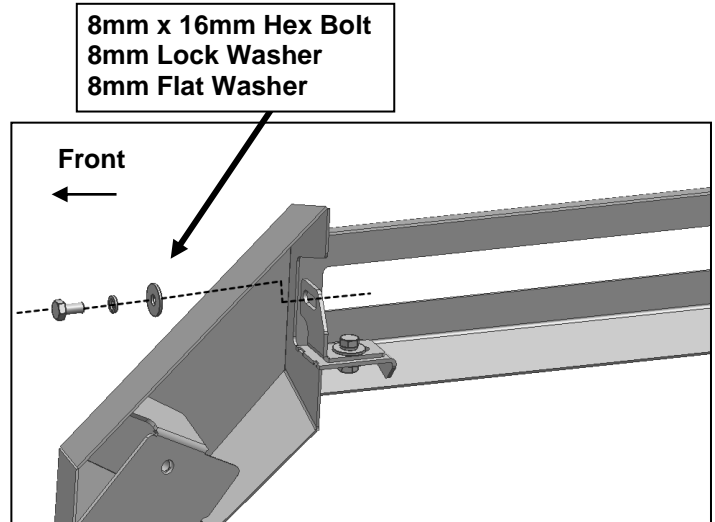
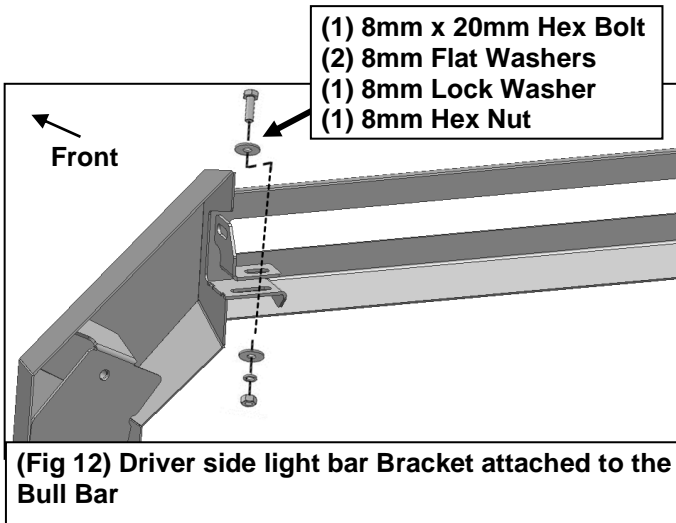
(Fig 9) Driver side Frame Bracket installed

Driver Side Installation Pictured

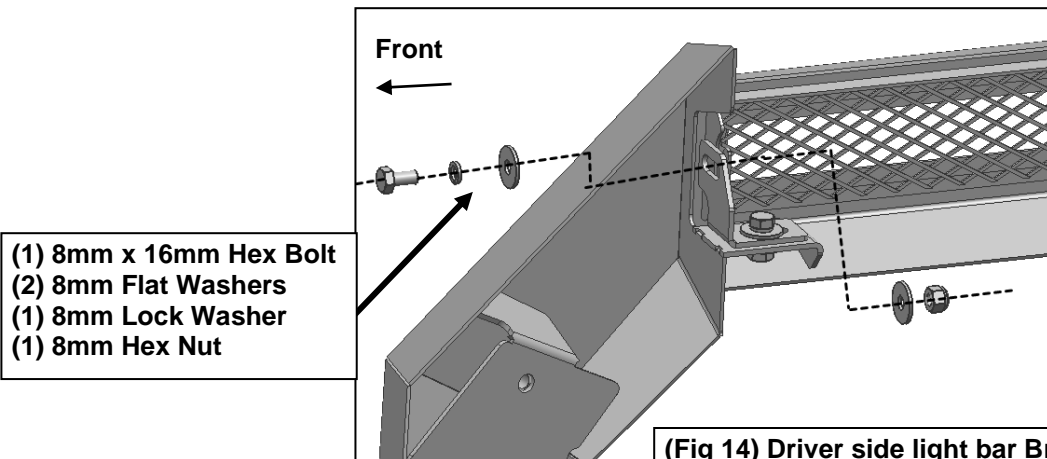


(Fig 11) License Plate Bracket attached to the Bull Bar

- (2) 6mm Button Head Bolts
- (4) 6mm Flat Washers
- (2) 6mm Lock Washers
- (2) 6mm Hex Nuts

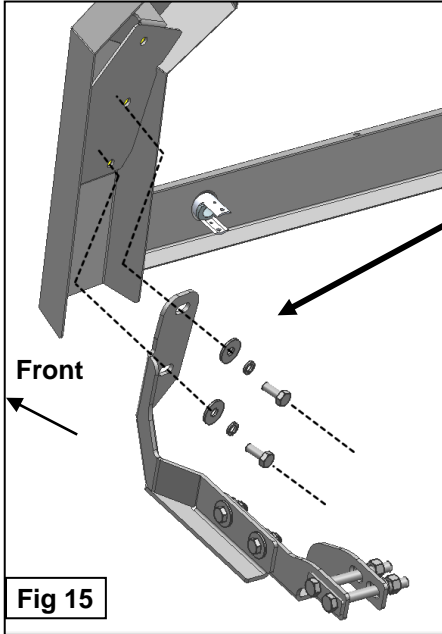


(Fig 13) Driver side light bar Bracket attached to the Bull Bar hardware



(Fig 14) Driver side light bar Bracket attached to Mesh hardware

Driver Side Installation Pictured



- (2) 10mm x 25mm Hex Bolts
- (2) 10mm Lock Washers
- (2) 10mm x 30mm Flat Washers

