



TEL: 1-866-XANATOS

INSTALLATION INSTRUCTIONS

PART # BB093904A-SP

3" BULL BAR WITH SKID PLATE FOR RAV4 2006-2018

INSTALLATION INSTRUCTION

ITEM NO.: BB093903-SP

DESCRIPTION: 3" BULL BAR WITH SKID PLATE FOR RAV4 2006-2015 (304)

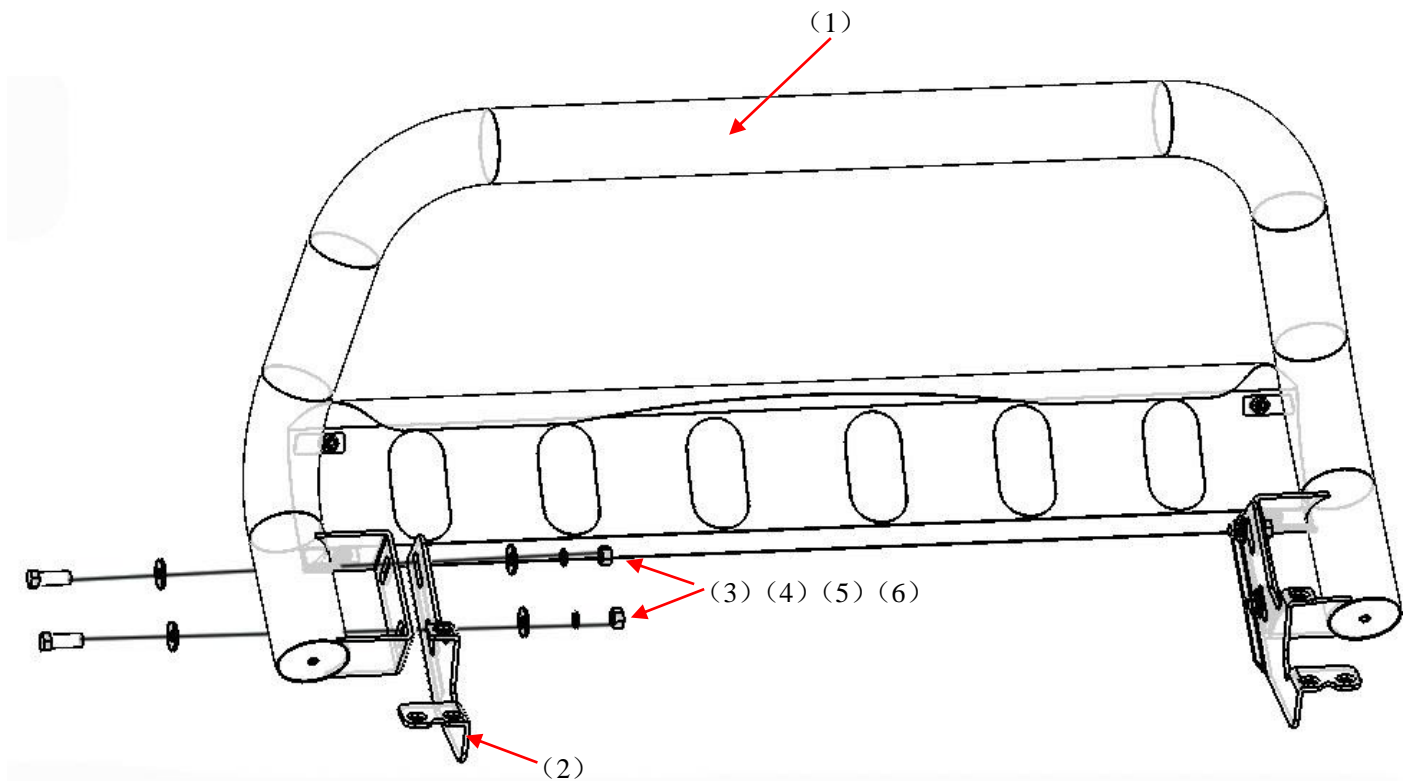
Attention:

- Please read this installation menu before installing this part. Protect your car properly in case there is any scratch might happen.
- You may need to periodically to re-tighten all hardware for safety use after installation.
- Installation pictures are only for your reference, there might be some differences between pictures and real parts but no affection for your fitting.

PART LIST

NO.	NAME	QTY	REMARK	NO.	NAME	QTY	REMARK
(1)	Bull Bar	1		(4)	Large Washer	8	Φ12X30X3.0
(2)	Bracket	2		(5)	Spring Washer	4	Φ12
(3)	Hexagon Head Bolt	4	M12X35-8.8	(6)	Hexagon Nut	4	M12-8.0

INSTALLATION PICTURES

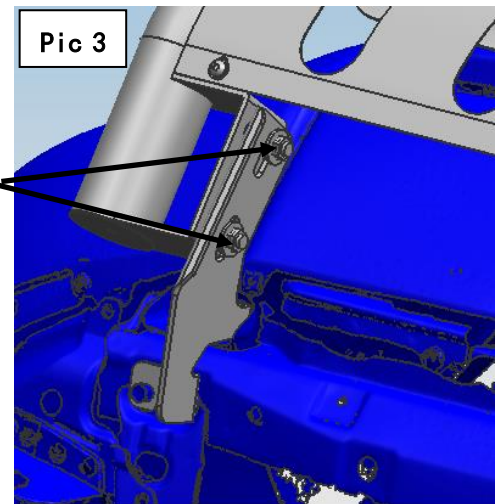
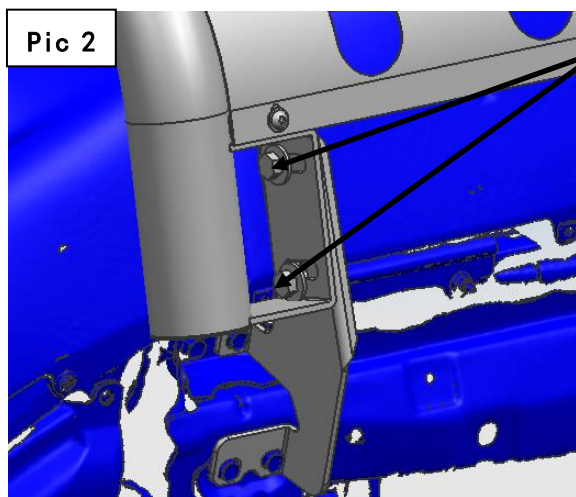
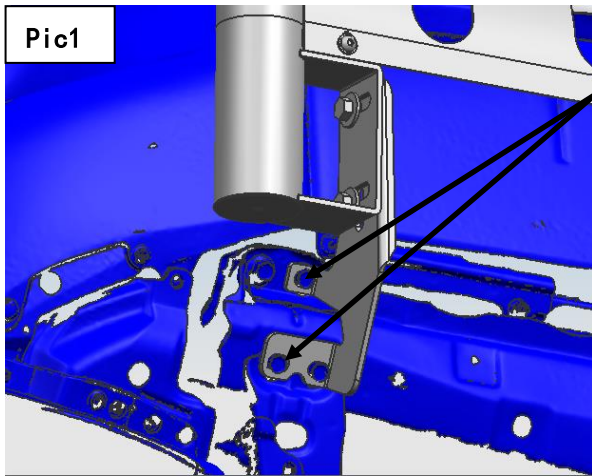


INSTALLATION PROCEDURES

Step 1: Refer to the Part List to check if all hardware are included.

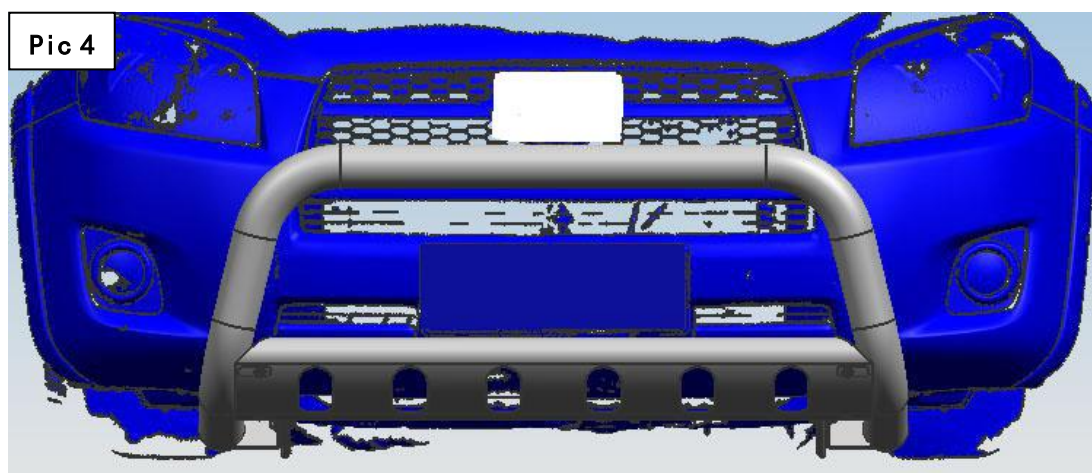
Step 2: Refer to the print R and L to distinguish the left and right bracket and then put them with their related fasteners.

Step 3: Refer to Pic 1 to install the mounting brackets. Install (3), (4) on the tube. And then install the fasteners, but do not tighten up.



Step 4: Check if all hardware are installed and tighten up all hardware after adjusting the bull bar to the proper position.

Step 5: Complete the installation.



Disclaimer: Caused due to improper installation initiates or some related problem and losses, are beyond our company's quality assurance.