



INSTALLATION INSTRUCTIONS
BEACON BULL BAR FOR CHEVY EQUINOX 05-09
PART # BE-GMEQS

PARTS LIST:

1	Bull Bar	2	10-1.50mm "U" Bolts
1	Driver/Left Mounting Bracket	4	10mm Lock Washers
1	Passenger/Right Mounting Bracket	4	10mm Hex Nuts
		4	10mm ID x 27mm OD x 3mm Flat Washers
		4	12-1.75mm x 35mm Hex Head Bolts
		4	12mm Lock Washers
		4	12mm Hex Nuts
		8	12mm ID x 32mm OD x 3mm Flat Washers



PROCEDURE:

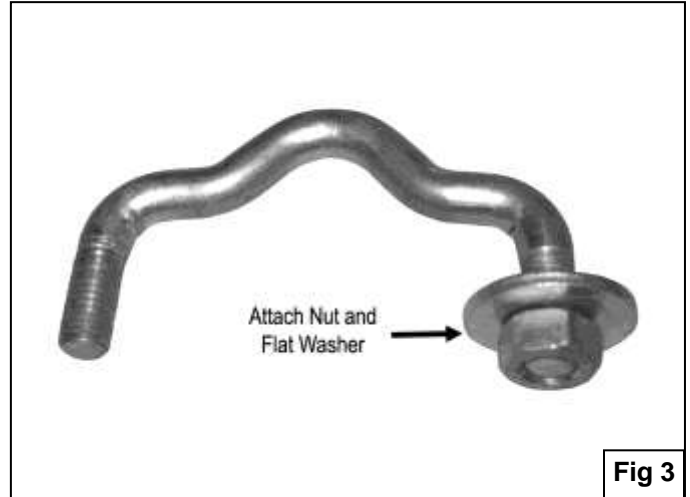
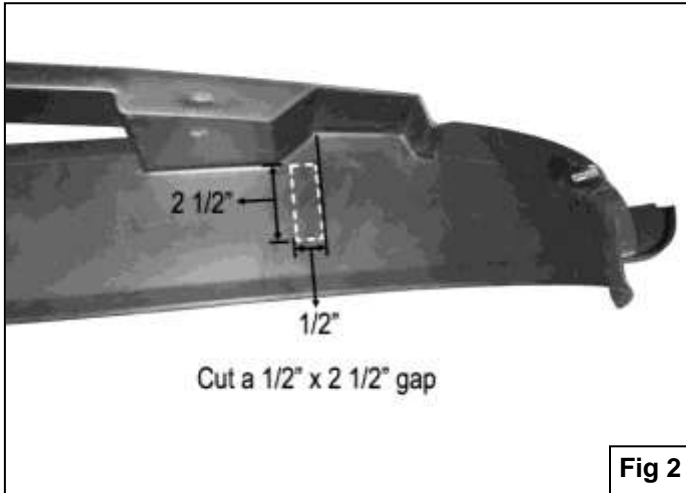
1. **REMOVE CONTENTS FROM BOX. VERIFY ALL PARTS ARE PRESENT. READ INSTRUCTIONS CAREFULLY BEFORE STARTING INSTALLATION.**
2. Remove air valance from vehicle and set on a clean working area (**Figure 1**).
3. Cut a 1/2" x 2 1/2" gap on each side of the air valance as shown in **Figure 2**. Once you have cut the air valance re-install it back to the vehicle using the factory fasteners.
4. Attach (1) 10mm Flat Washer and (1) 10mm Hex Nut to one of the "U" Bolts (**Figure 3**).
5. Locate one square hole and one round hole in the bottom side of each frame rails. Hold the "U" Bolt from the end where you attached the Hex Nut and the Flat Washer, then insert "U" Bolt through square hole into driver side frame rail so bolt drops through round hole (**Figure 4**). Once the "U" Bolt is in place, carefully remove the previously attach nut and washer from "U" Bolt (**Figure 5**).
6. Partially hang driver side Mounting Bracket from already inserted "U" Bolt using the included (2) 10mm Lock Washers, (2) 10mm Flat Washers, and (2) 10mm Hex Nuts (**Figure 6**). **IMPORTANT!** After placing the Mounting Bracket over the inserted "U" Bolt, hold one end of "U" Bolt while you attach the Lock Washer, Flat Washer, and Hex Nut on the opposite side. This will prevent from pushing "U" Bolt into frame rail.
7. Repeat steps 5 & 6 for passenger side.
8. With help position Bull Bar on the outer side of Mounting Brackets. Attach Bull Bar to Mounting Brackets using (4) 12mm x 35mm Hex Head Bolts, (4) 12mm Hex Nuts, and (8) 12mm Flat Washers, and (4) 12mm Lock Washers (**Figure 7**). Do not tighten at this time.
9. Level and adjust Bull Bar; and then tighten all hardware at this time.
10. Do periodic inspections to the installation to make sure that all hardware is secure and tight.

To protect your investment, wax this product after installing. Regular waxing is recommended to add a protective layer over the finish. Do not use any type of polish or wax that may contain abrasives that could damage the finish.

For stainless steel: Aluminum polish may be used to polish small scratches and scuffs on the finish. Mild soap may be used also to clean the Bull Bar.

For gloss black finishes: Mild soap may be used to clean the Bull Bar.





(Driver Side Installation Shown)

