



**INSTALLATION INSTRUCTIONS**  
**REAR BUMPER GUARD (DOUBLE LAYER) FOR JEEP GRAND**  
**CHEROKEE 11-20**  
**PART # CRDL-JEJ101B**










**NOTICE:**

≡ The figures here are for reference only and may have differences with the actual product you received, however they share the same assembly way.

≡ Please read the instruction completely for easy installation, which will also help you to avoid scratches or other potential damages to your appealing car.

≡ Please periodically check and retighten all the hardware and clean the investment for a refresh look.

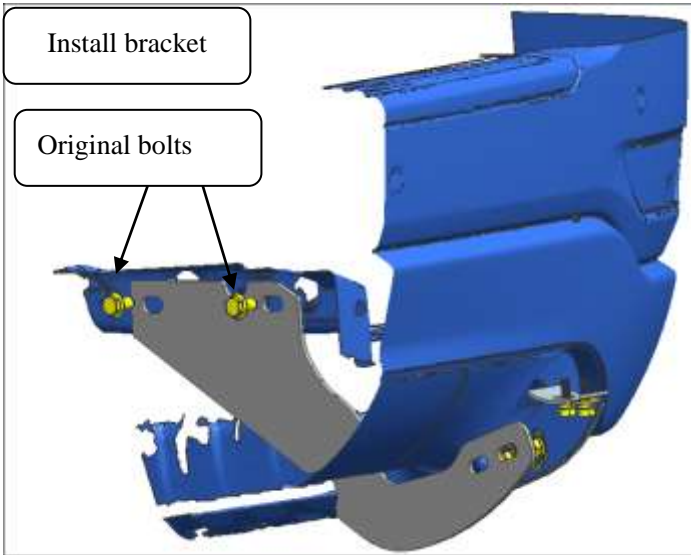
**PART LIST**

No.	Qty	Name	No.	Qty	Name
①	1	 Rear bumper guard	⑤	4	 M8*25 Hex bolt
②	1	 Left bracket-A	⑥	4	 M10*35 Hex bolt
③	1	 Right bracket-A	⑦	8	 D10 Flat washer
			⑧	4	 D10 Spring washer
④	2	 bracket-B	⑨	4	 D10 Hex nut
			⑩		

**ASSEMBLY PROCEDURE:**

Step 1: Check all the contents are available in accordance with the above list

Step 2: Remove the factory bolts, and install the bracket-B to the car girder, another bracket-B share the same way. Do not tighten all the bolts. (as the following picture show);



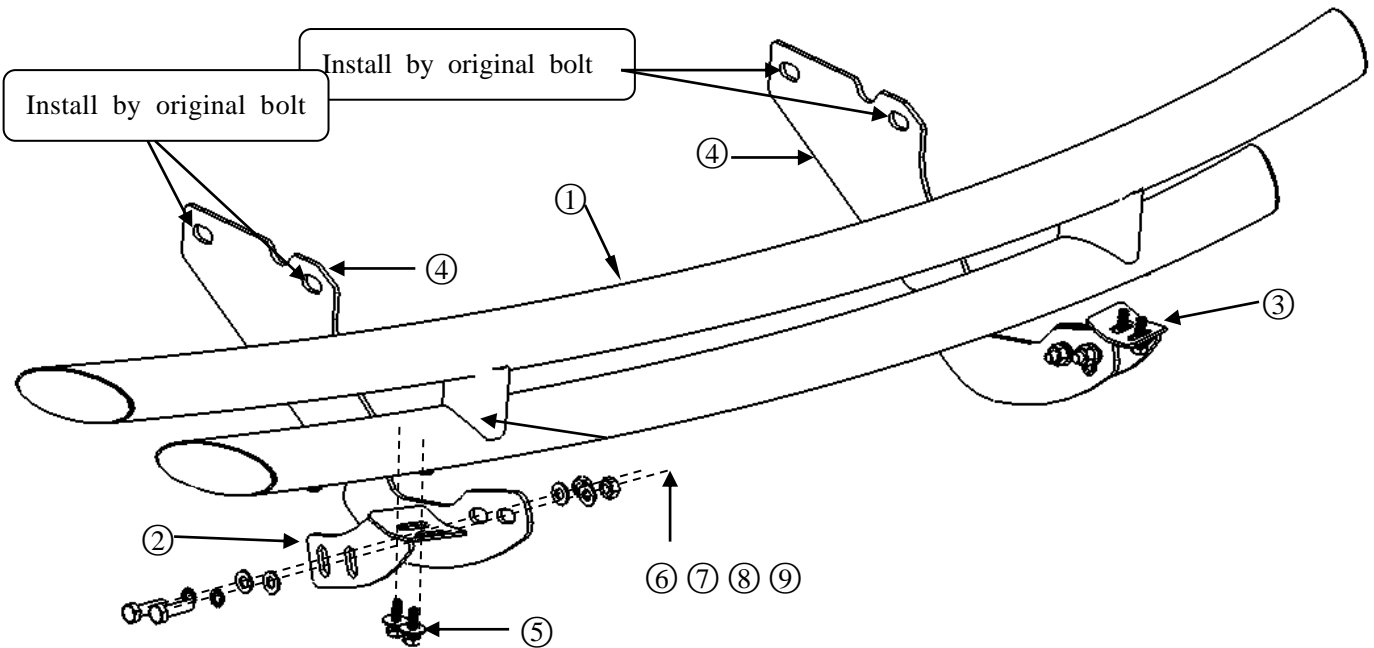
Step 3: Install the bracket-A on the bracket-B by part ⑥⑦⑧⑨, Do not tighten all of them.

Step 4: Install the rear bar on brackets-A. (Installation picture)

Step 5: Test and make sure that the rear bar is steadily fixed, and then tighten all the hardware.

Step 6: Installation is finished.

Installation picture



**NOTE:** Any damages and losses caused by improper installation and application, goes beyond our quality warranty.