



INSTALLATION INSTRUCTION

PART#:BB80235\BB80235A

BULL BAR W/O SKID PLATE FOR TOYOTA 4-RUNNER 03-08

TEL ☐ 1-866-XANATOS

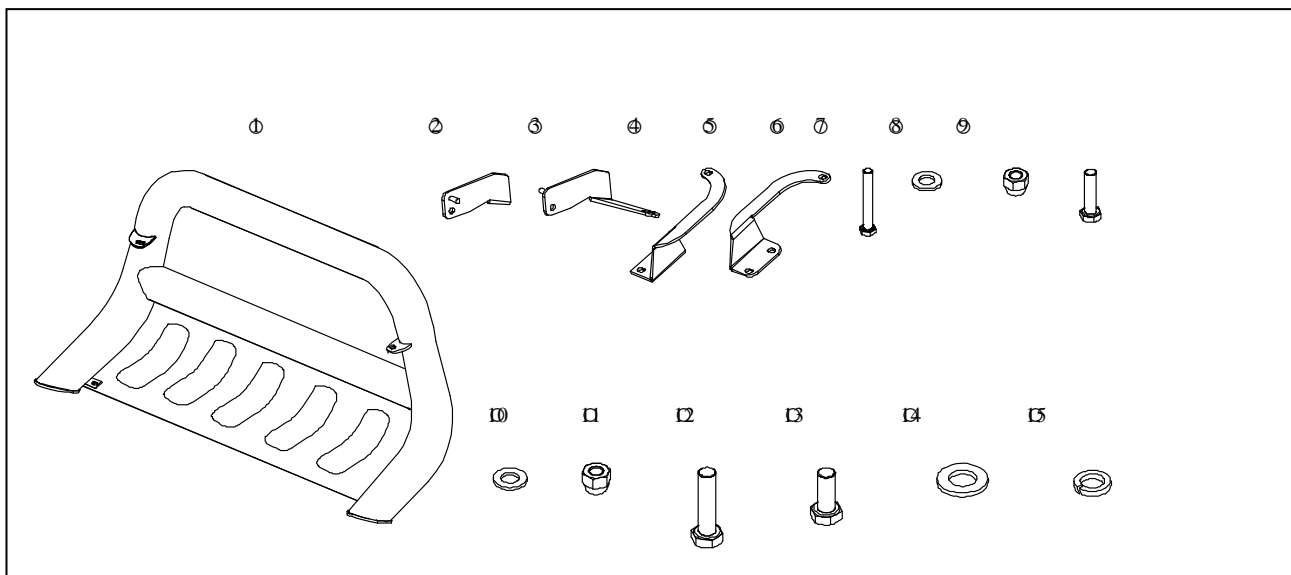
ATTENTION

☰ Please read this installation Menu before installing this part. When install it, pay attention to protecting your vehicles.

☰ When use it, please check this parts at a fix time - lapse, such as one month or two month.

PART LIST

No.	Name	Qty	Remarks	No.	Name	Qty	Remarks
①	Grille guard	1		⑨	Hex bolt	2	M10×35
②	Left bracket	1		⑩	Flat washer	4	10mm
③	Right bracket	1		⑪	Hex nut	2	M10
④	Left connecting plate	1		⑫	Hex bolt	2	M12×40
⑤	Right connecting plate	1		⑬	Hex bolt	2	M12×35×1.25
⑥	Hex bolt	4	M8×110	⑭	Flat washer	6	12mm
⑦	Flat washer	8	8mm	⑮	Spring washer	4	12mm
⑧	Hex nut	4	M8				



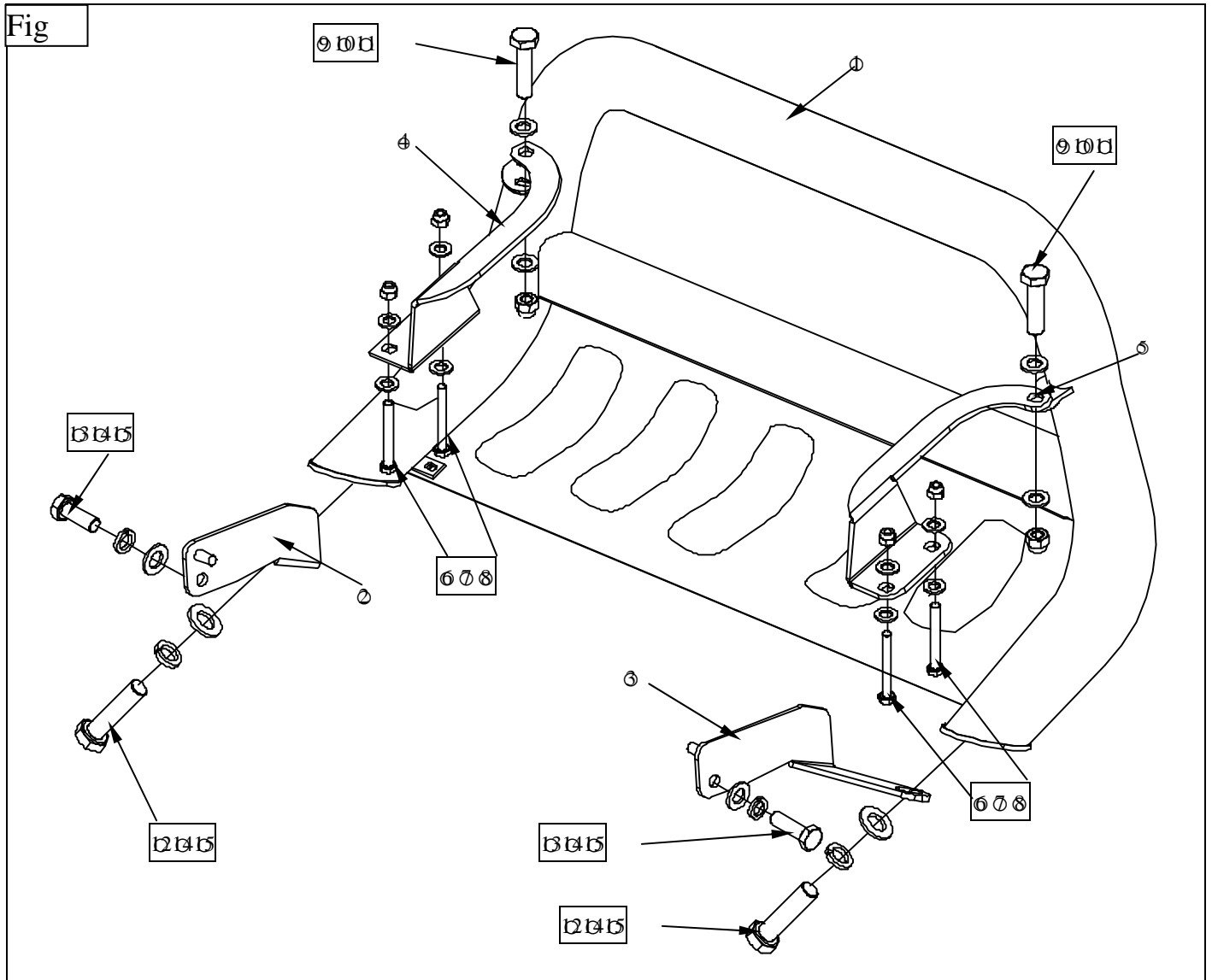
STEP ONE : Before you start the installation, make sure that you have all the components listed above.

STEP TWO : Please protect your vehicles from being scratched during the process of installing the grille guard.

STEP THREE : Determine left connecting plate ,right connecting, left bracket and right bracket.

INSTALLATION INSTRUCTION
PART#:BB80235\BB80235A
BULL BAR W/O SKID PLATE FOR TOYOTA 4-RUNNER 03-08

STEP FOUR : Install grille guard to the vehicle with hardware listed as shown in Fig



STEP FIVE : Test and make sure that the grille guard is steadily fixed.

STEP SIX : :Installation is finished .