

# **INSTALLATION INSTRUCTION**

## **Cross Bar**

**15-17 Chevy Suburban/**

**15-17 Chevy Tahoe/**

**15-17 GMC Yukon/**

**15-17 GMC Yukon XL/**

**15-17 Cadillac Escalade/**

**15-17 Cadillac Escalade**

**ESV OE Replica**

**PART #TR-GMTAOE**



**BLACK HORSE  
OFF ROAD**



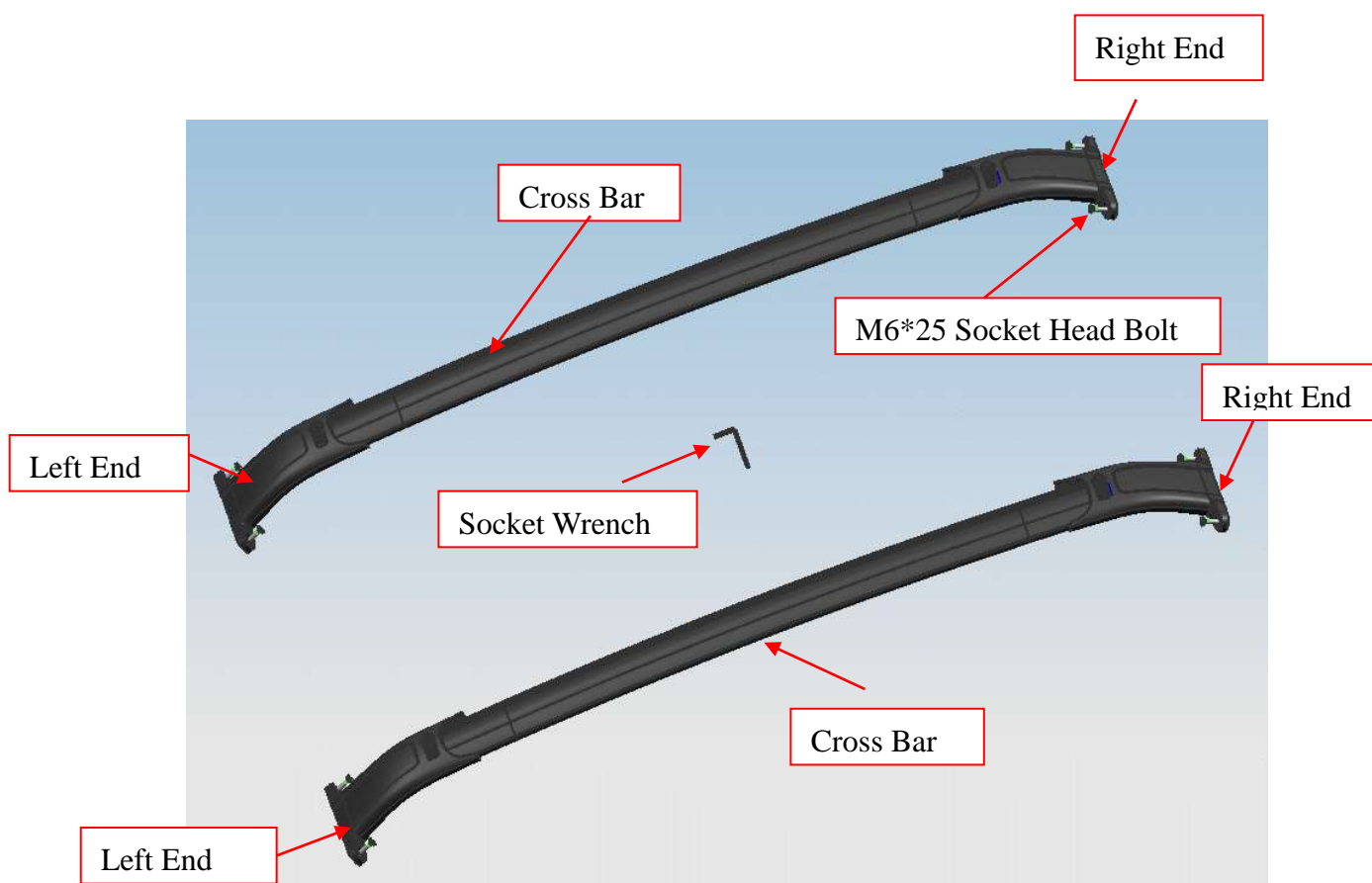
Attention:

- Please read this installation menu before installing this part. Protect your car properly in case there is any scratch might have.
- You may need to periodically to re-tighten all hardware for safety use after installation.
- Installation pictures are only for your reference, there might be some differences between pictures and real parts but no affect for your fitting.

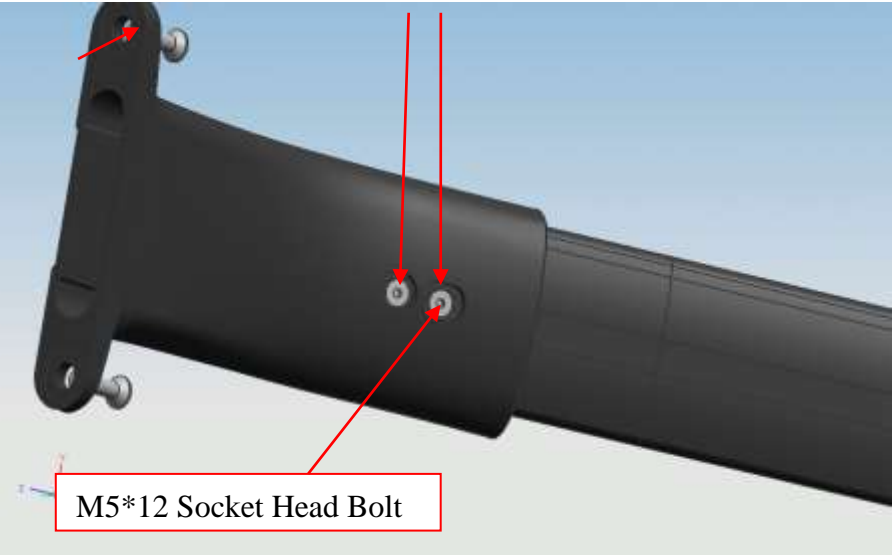
PART LIST

NO.	NAME	QTY	REMARK	NO.	NAME	QTY	REMARK
1	Cross Bar	2		2	Hexagon Socket Bolt	8	45# M6*25
3	Socket Wrench	1	45# S=4				

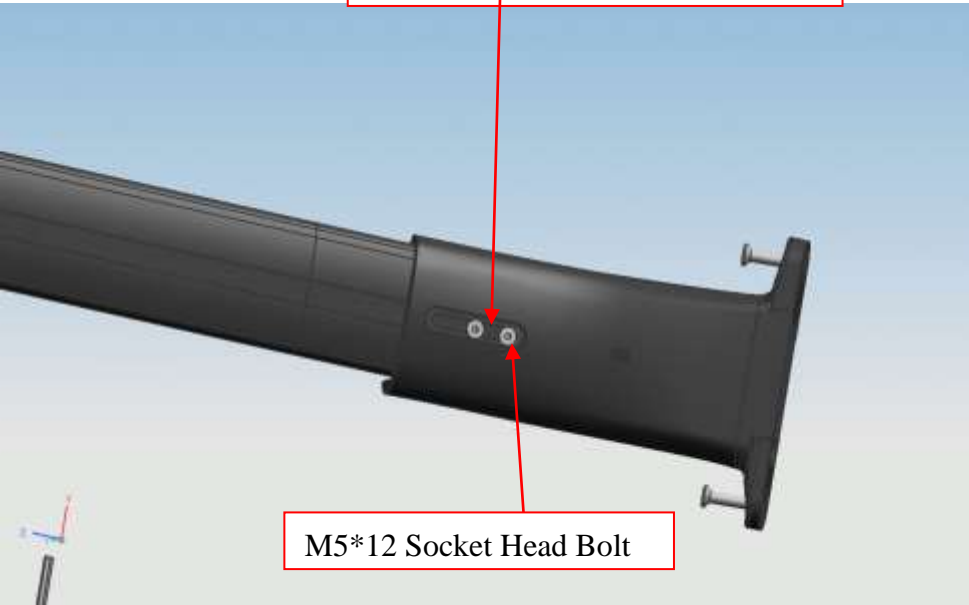
**INSTALLATION PICTURE**



Two fixed holes on the left end.



7\*40 Sliding holes to adjust the length.



Disclaimer: Caused due to improper installation initiates some related problem and losses, are beyond our company's quality assurance.