

INSTALLATION INSTRUCTION

18-20 CHEVY EQUINOX
Double Layer Front Runner
Part # FD-GM01B



Description:18 CHEVY EQUINOX DL Front Runner Bracket

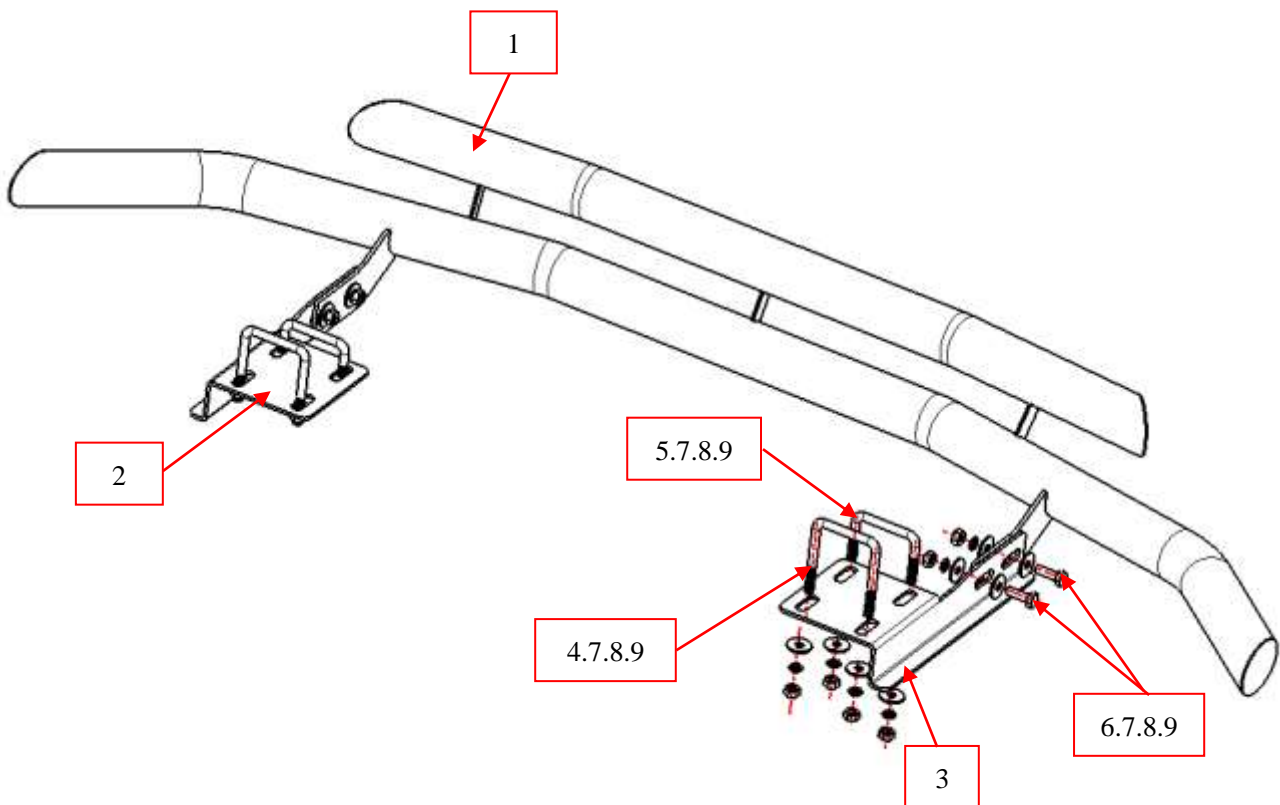
Attention:

- Please read this installation menu before installing this part. Protect your car properly in case there is any scratch might happen.
- You may need to periodically to re-tighten all hardware for safety use after installation.
- Installation pictures are only for your reference, there might be some differences between pictures and real parts but no affection for your fitting.

PART LIST

NO.	NAME	QTY	REMARK	NO.	NAME	QTY	REMARK
1	BAR	1		6	Hexagon Bolt	4	M10*30
2	Bracket (R)	1		7	Spring Washer	12	Φ10
3	Bracket (L)	1		8	Large Washer	16	Φ10*30*2.5
4	U-bolt-1	2	M10	9	Hexagon Nut	12	M10
5	U-bolt-2	2	M10	10			

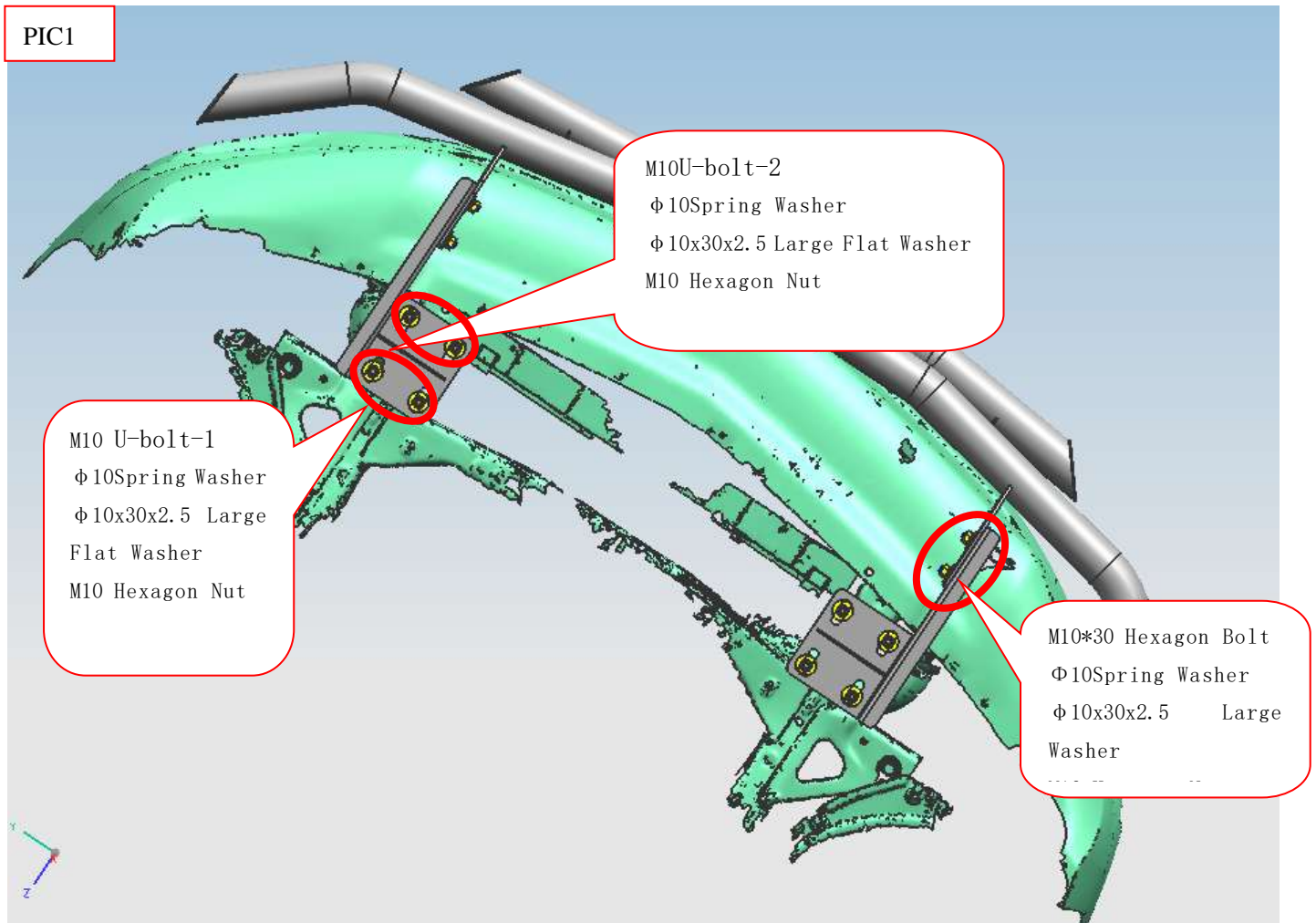
INSTALLATION PICTURES



INSTALLATION PICTURE

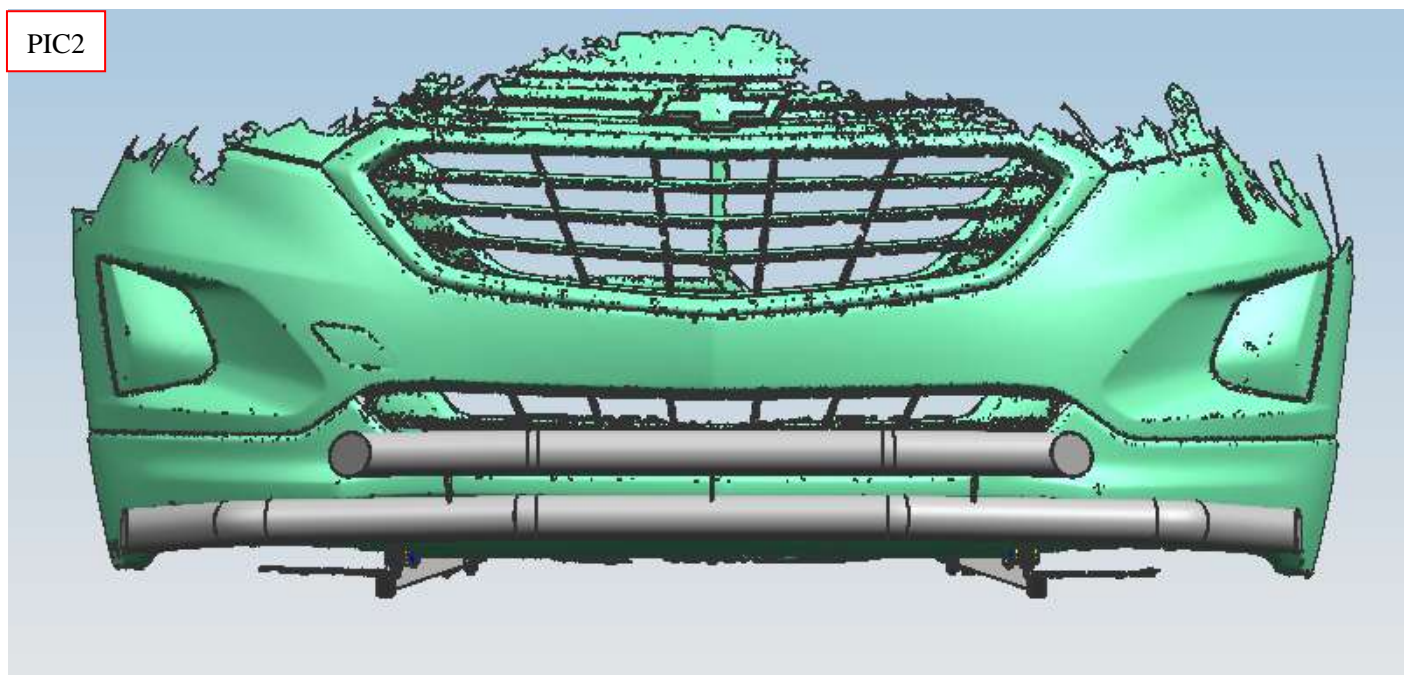
Step 1: Refer to the Part list to check if all the hardware are included.

Step 2: Refer to Pic 1 to install the brackets but do not fasten.



Step 3: Install the bar on the brackets, and tighten up all hardware after adjusting the brackets.

Step 4: Complete the installation.



Disclaimer: Caused due to improper installation and use of the related problems and losses, is not in the scope of our company's quality assurance.