

INSTALLATION INSTRUCTION

14-19 Toyota Highlander

Double Layers Front Runner

PART # FD-TR20B



**BLACK HORSE
OFF ROAD**

Attention:

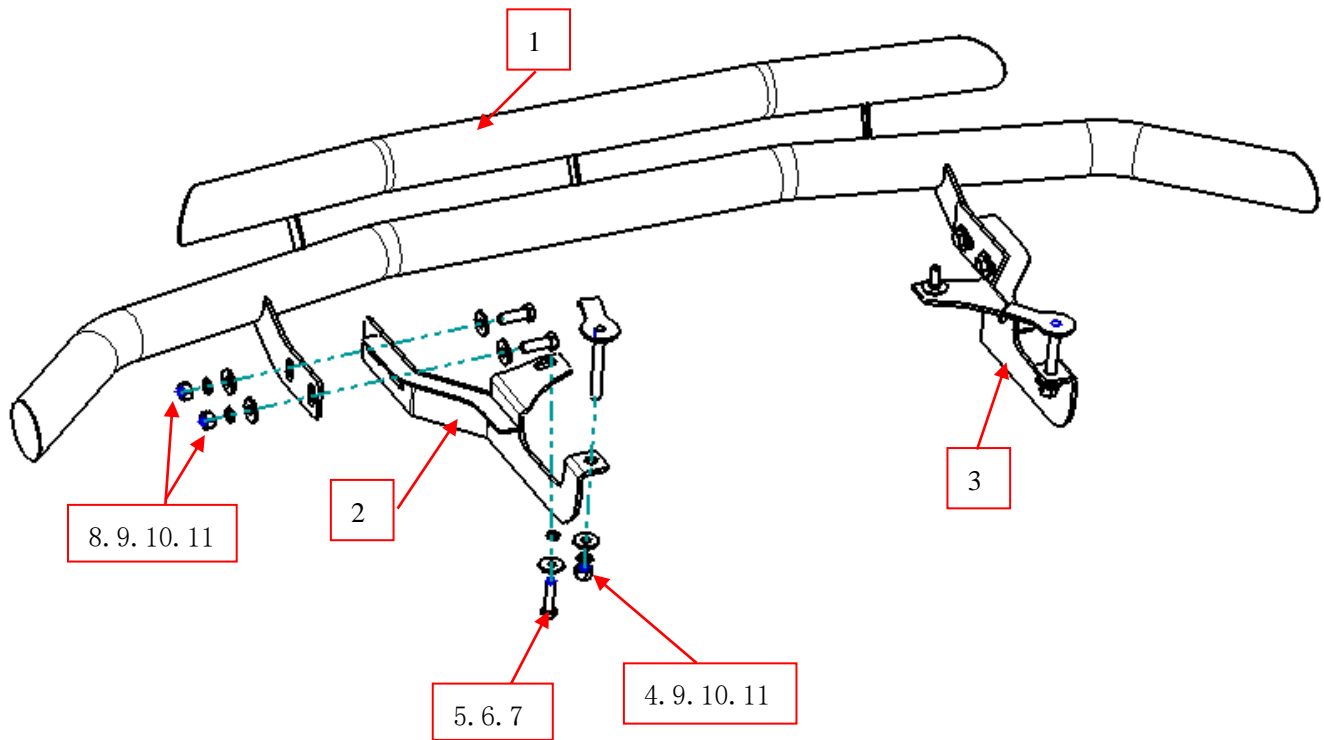
- Please read this installation menu before installing this part. Protect your car properly in case there is any scratch might have.
- You may need to periodically to re-tighten all hardware for safety use after installation.
- Installation pictures are only for your reference, there might be some differences between pictures and real parts but no affect for your fitting.

Part List:

NO.	NAME	QTY	REMARK	NO.	NAME	QTY	REMARK
1	Front Guard	1		7	Spring Washer	2	φ10
2	Bracket(Left)	1		8	Hexagon Bolt	4	M12x35
3	Bracket(Right)	1		9	Large Washer	10	φ12x30x3.0
4	Deformed bolt	2		10	Spring Washer	6	φ12
5	Hexagon Bolt (Fine Tooth)	2	M10x1.25x40	11	Hexagon Nut	6	M12
6	Large Washer	2	φ10x30x2.5				

Remark:The installation is the same on the left and right sides.

INSTALLATION PICTURE

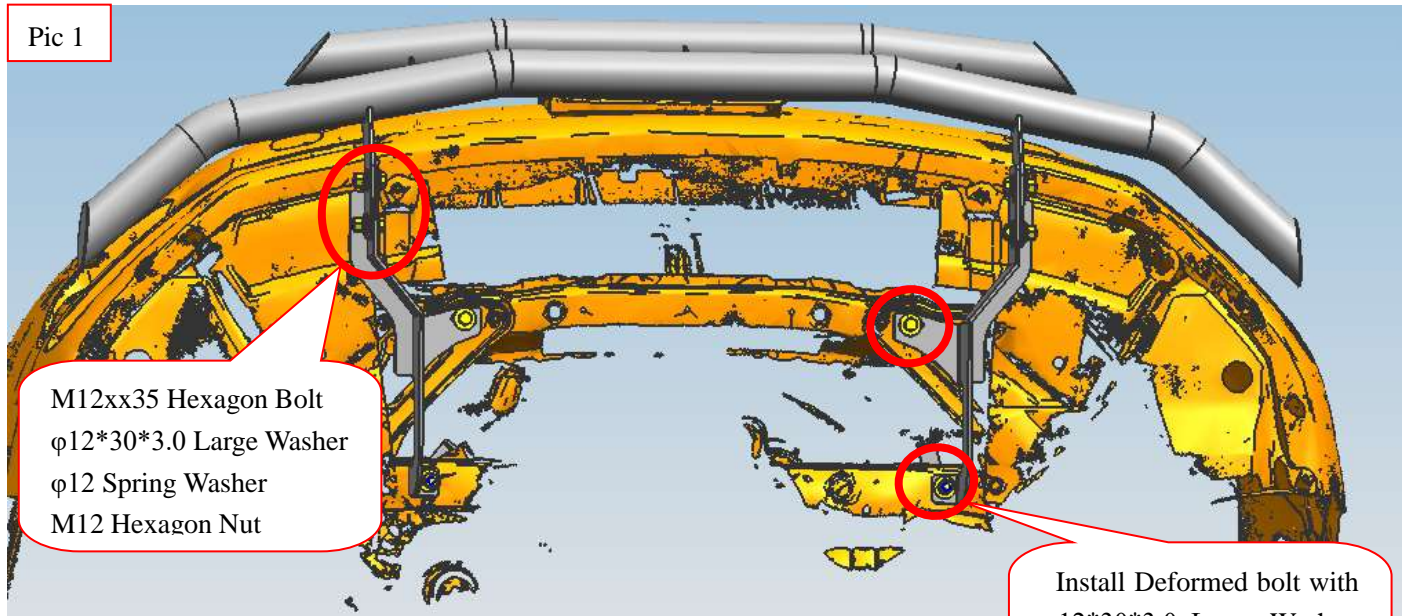


INSTALLATION PROCEDURE

Step 1: Refer to Part List to check if all hard ware are included.

Step 2: Refer to the following pictures to assemble the side panel and brackets on the two main tubes .

Pic 1

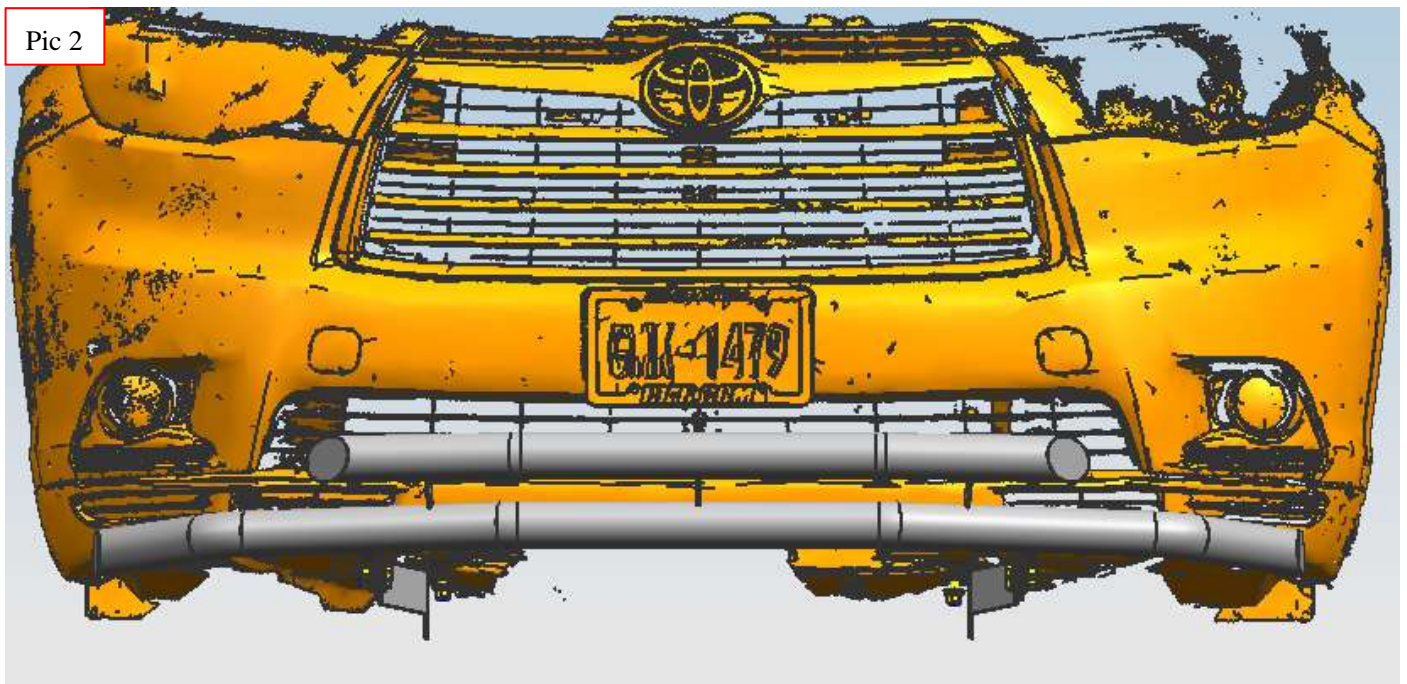


Step 3: Install the bar body on the bracket and adjust the mounting position of the bracket according to the position of the bar body.

Step 4: Check if all hard ware are installed and then fasten all to complete the installation.

Step 5: Easy Install refer Pic 2.

Pic 2



Disclaimer: Caused due to improper installation initiates or some related problem and losses, are beyond our company's quality assurance.