



TEL: 1-866-XANATOS

INSTALLATION INSTRUCTIONS

**PART # 17A081000MSS/17A081000MA
MODULAR GRILL GUARD FOR JEEP COMMANDER 06-10**



QTY	DESCRIPTION
1	guard, center section
1	brush guard, left side
1	brush guard, right side
1	wire guard insert, left side
1	wire guard insert, right side
1	lower support bracket-left
1	lower support bracket-right
1	hardware kit

NOTE: Please read this information before assembling. Check components received with components listed above. **NO DRILLING REQUIRED.** Complete step by step instruction sheets will be found on the following pages.

- 1st. Stage, mounting of guard to vehicle.
- 2nd. stage, attaching brush guards to center section.
- 3rd. stage, attaching wire head light guards.

IMPORTANT: To obtain correct installation, we recommend you to follow these step by step instructions carefully.

Illustrations are for reference only, styles vary with application. Please review the instruction sheet before proceeding to assemble product.

Please take care when assembling and installing this product to protect the finish and your investment. To protect your investment, wax this product after installing. Regular waxing is recommended. Do not use any type of polish or wax that contains abrasive that could damage the finish.

INSTALLATION INSTRUCTIONS

1ST STAGE

-
- | | | | | |
|---------|--|------|----|-----------------------|
| • 1 Set | Grille Guard | • 16 | pc | 7/16 Flat Washers |
| • 1 Set | Frame Brackets(left & right,when sitting in the car) | • 2 | pc | 3/8 x 1" Button Bolts |
| • 1 Set | Top Support Brackets | • 2 | pc | 3/8 Flat Washers |
| • 2 pc | 7/16 Double Nut Plate | • 2 | pc | 3/8 Flat Washers |
| • 10 pc | 7/16 x 1-1/4" Hex Bolts | • 2 | pc | 3/8 Nylon Lock Nuts |
| • 6 pc | 7/16 Nylon Lock Nuts | | | |
-

Instructions:

Installing Top Support Brackets

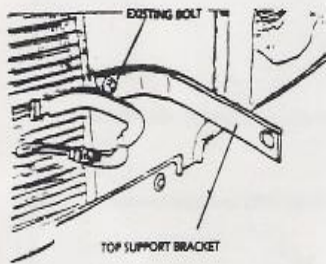
1. Factory hooks must be removed (if equipped) to install the front bar assembly.
2. Open hood and remove the plastic rivets securing the grille. Pull-up-ward and remove the grille tempo Tory from the vehicle.
3. Attach the top support brackets using the existing bolt (Driver side shown). Repeat on passenger side and secure bolts.
4. Reinstall grille assembly.

Installing frame brackets and front bar

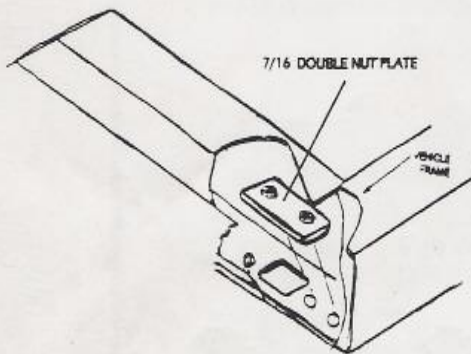
5. Attach the 7/16 double nut plate up through the large hole in the steel bumper (Driver side shown). Repeat on passenger side.
6. Attach frame bracket (Driver side shown) to the bottom of the steel bumper using the 7/16 double nut plate, 7/16 x 1-1/4" hex bolts and 7/16 flat washers. Repeat on passenger side.
7. Attach the front bar assembly the inner side if the frame brackets using the 7/16 x 1-1/4" hex bolts, 7/16 flat washers and 7/16 hex nuts. Do not over tighten fasteners; this will help align the front bar. Note the top support bracket will line up with the front bar inner side secure using the 3/8 x 1" button bolts, 3/8 flat washers and 3/8 hex nuts.
8. Align the front bar assembly with the front bumper of the vehicle and tighten all fastens.

DRIVER SIDE SHOWN

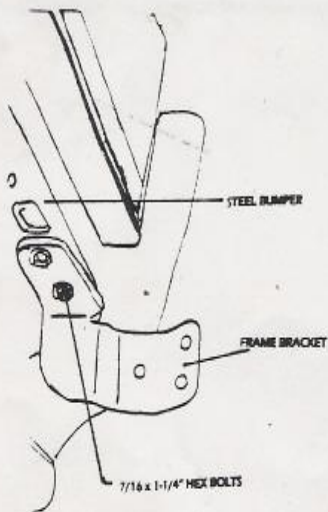
STEP-1



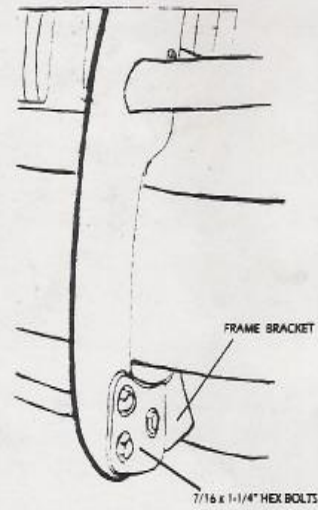
STEP-2



STEP-3



STEP-4



STEP-5



INSTALLATION INSTRUCTION

2nd STAGE

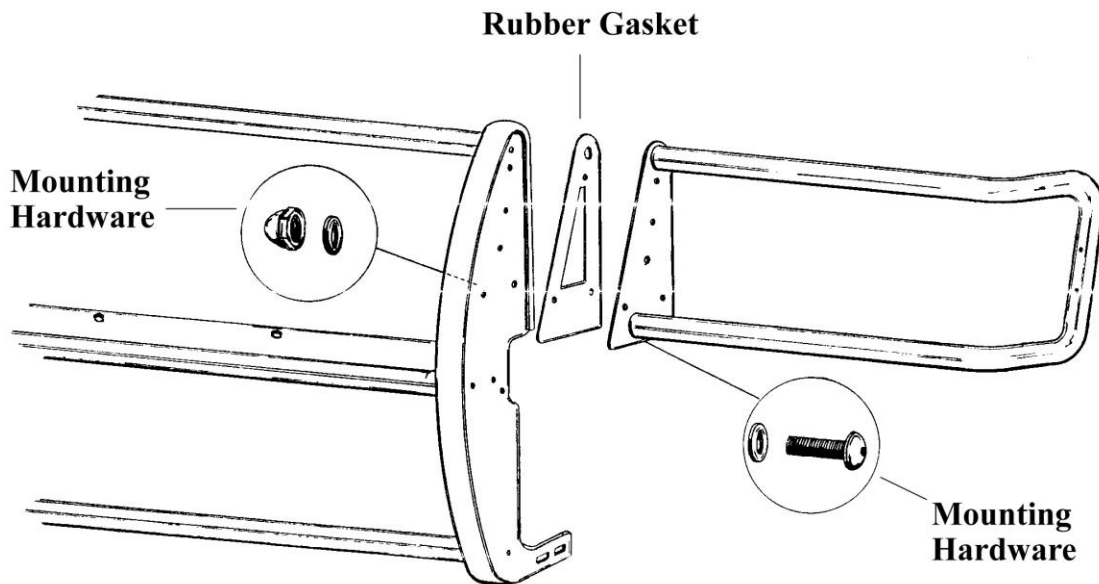
Step One: Locate hardware. Check contents with the hardware listed below.

QTY	DESCRIPTION
6	M8-1.25 x 20 button head bolts, stainless steel
6	M8-1.25 acorn nuts, stainless steel
12	M8 flat washers, stainless steel
2	rubber gaskets

Step Two: Securing brush guards to center section. Locate the following item's listed below.

QTY	DESCRIPTION
1	brush guard, left side
1	brush guard, right side

Assemble the brush guards to the center section of the guard as shown in illustration below. Use the hardware from step one to secure the parts together. Be sure to fully tighten all hardware at this time. Proceed ahead to stage four of the instruction sheet.



INSTALLATION INSTRUCTION

3rd STAGE

Step One: Locate hardware. Check contents with the hardware listed below.

QTY	DESCRIPTION
8	M6-1.00 x 25mm button head bolts, stainless steel
4	M6-1.00 acorn nuts, stainless steel
12	M6 flat washers, stainless steel
4	rubber gaskets

Step Two: Securing wire insert to brush guards. Locate the following item's listed below.

QTY	DESCRIPTION
2	wire guard insert, left & right side

Attach one rubber gasket to each end of the wire guard. Peel the paper backing off the rubber gasket. Place the gasket on the end of the bracket and press firmly till the gasket is secured in place.

Position the wire insert on the driver's side of the vehicle. Align the two holes in the bracket with the two holes in the brush guard as shown in illustration below. Using the hardware listed in step one, secure the wire insert to the brush guard. Be sure to fasten both ends before fully tightening hardware. Repeat this procedure on the opposite side of the vehicle. Be sure to use all hardware supplied and tighten all bolts.

