

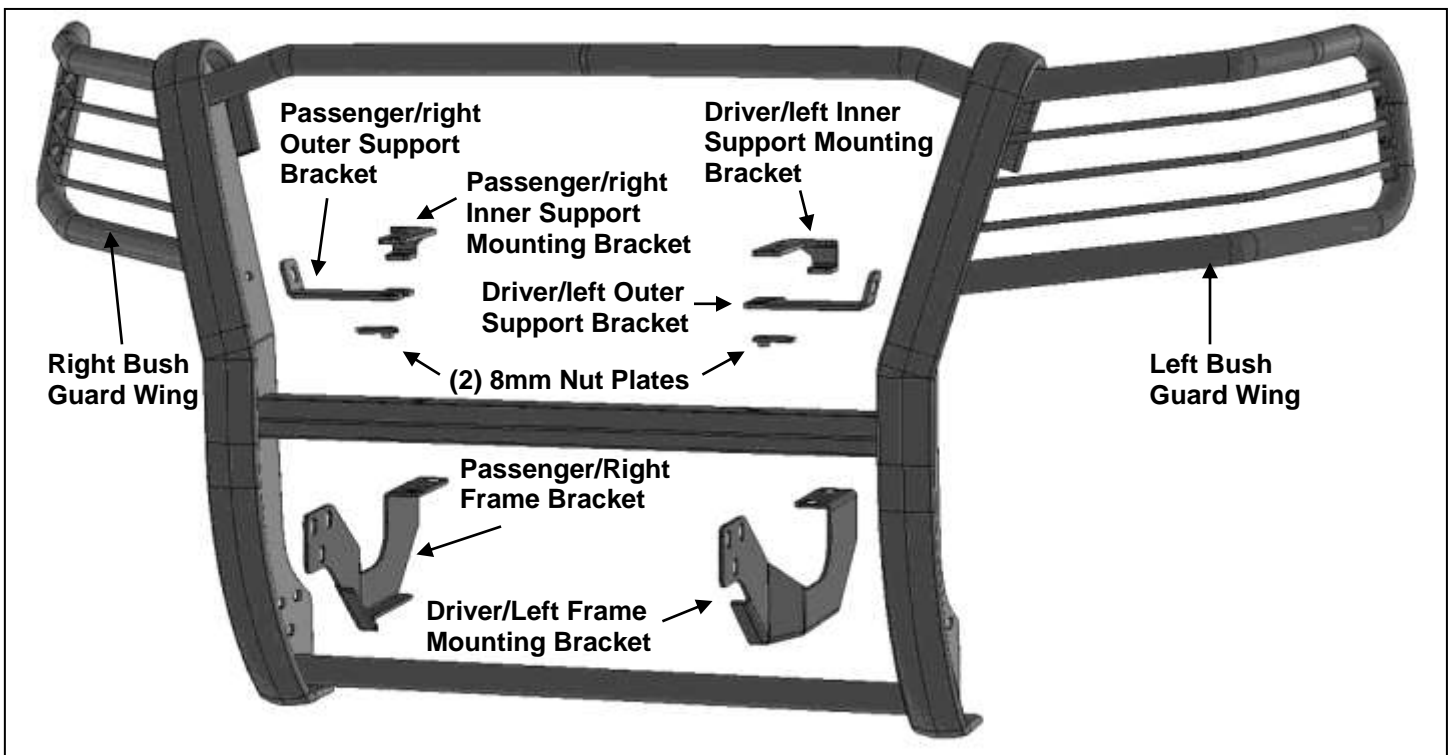


INSTALLATION INSTRUCTIONS
S/S MODULAR GRILLE GUARD FOR 2022 NISSAN FRONTIER
PART # 17NI22MSS

S/S MODULAR GRILLE GUARD FOR 2022 NISSAN FRONTIER

PARTS LIST:

1	Middle Guard	10	12mm Lock Washers
1	Left Bush Guard Wing	5	8mm x 24mm x 2mm STD Flat Washers
1	Right Bush Guard Wing	16	12mm x 37mm x 3mm Flat Washers
1	Driver/Left Frame Mounting Bracket	2	8mm x 16mm x 1.6mm Small Flat Washers
1	Passenger/Right Frame Mounting Bracket	4	8-1.25mm x 25mm Button Head Bolts
2	8mm Nut Plates	6	8-1.25mm x 30mm Button Head Bolts
1	Driver/Left Frame Top Inner Mounting Bracket	10	8mm Nylon Lock Nuts
1	Passenger/Right Top Inner Mounting Bracket	6	12mm Hex Nuts
1	Driver/Left Top Outer Support Bracket	2	8-1.25mm x 30mm Hex Bolts
1	Passenger/Right Top Outer Support Bracket	6	12-1.75mm x 35mm Coarse Thread Hex Bolts
1	5mm Allen Wrench	4	12-1.25mm x 45mm Special Fine Thread Hex Bolts
1	4mm Allen Wrench	15	8mm Flat Washers D8_22_2
2	8mm Lock Washers		



PROCEDURE:

REMOVE CONTENTS FROM BOX. VERIFY ALL PARTS ARE PRESENT. READ INSTRUCTIONS CAREFULLY BEFORE STARTING INSTALLATION. MINOR CUTTING MAY BE REQUIRED. ASSISTANCE IS RECOMMENDED. INSTALLATION MAY INTERFERE WITH FRONT SENSOR OPERATION.

1. Determine if vehicle is equipped with lower splash guard, **(Figure 1)**.

Models with splash guard.

- a. Start installation from the driver/left wheel opening. Remove the hardware attaching the inner fender liner to the edge of the fender, **(Figure 2)**. Remove the screws attaching the end of the lower splash guard to the bottom of the fender, **(Figure 3)**.
- b. Repeat previous **Step** to release the passenger/right end of the splash guard.
- c. Continue across the bottom of the vehicle and remove the rest of the hardware to remove the splash guard, **(Figures 1 & 4)**.

Models without splash guard. (Pro 4X model for example-see **Figure 5**). Skip to **Step 2**.

2. Remove the driver/left factory tow hook, if equipped, **(Figures 1 & 5)**.

Black Horse Off Road 39 St Mary's Place Freeport NY11520 Tel: 1(866) 926 2867

www.blackhorseoffroad.com

S/S MODULAR GRILLE GUARD FOR 2022 NISSAN FRONTIER

3. Select the driver/left side Frame Mounting Bracket, **(Figure 6)**. Attach the Bracket to the tow hook location on the bottom of the frame channel with the included (2) 12mm x 45mm **Fine Thread Hex Bolts**, (2) 12mm Lock Washers and (2) 12mm Flat Washers, **(Figures 6 & 7)**. **NOTE:** Models with tow hooks, reinstall tow hook with Bracket between tow hook and frame. Do not fully tighten hardware.
4. Repeat **Steps 2 & 3** for the passenger/right side Mounting Bracket installation.
5. Next, open the front hood. Remove the hardware attaching the top of the grille to the radiator core support, **(Figure 8)**. Release the clips along the bottom and side of the grille and pull outward to remove the grille from the grille opening.
6. Remove the (2) fasteners attaching the top of the plastic bumper cover to the inner steel bumper support brackets, **(Figure 9)**.
7. Select the driver/left Top Support Mounting Bracket, **(Figure 10)**. Hold (1) 8mm Nut Plate up under the steel support bracket. Attach the Top Mounting Bracket to the top of the plastic bumper cover with (1) 8mm x 30mm Hex Bolt, (1) 8mm Lock Washer and (1) 8mm x 16mm Small Flat Washer, **(Figures 10 & 11)**. Snug but do not fully tighten hardware at this time. Repeat this **Step** to attach the passenger/right Top Support Mounting Bracket
8. Reinstall the grille assembly. Guide the Top Support Mounting Brackets through the openings in the bottom of the grille, **(Figure 12)**.
9. Carefully unwrap the Grille Guard.
10. With assistance, hold the Grille Guard up to the outside of the Frame Brackets. Attach the Grille Guard to the Brackets with the included (6) 12mm x 35mm Coarse Thread Hex Bolts, (12) 12mm Flat Washers, (6) 12mm Lock Washers and (6) 12mm Hex Nuts, **(Figure 13)**. Snug but do not fully tighten hardware.
11. Attach the driver/left Top Support Bracket to the bottom of the Support Mounting Bracket with the included (2) 8mm x 30mm Button Head Bolts, (4) 8mm x 24mm STD Flat Washers and (2) 8mm Nylon Lock Nuts, **(Figure 14)**. Attach the outer end of the Support Bracket to the Grille Guard upright with the included (1) 8mm x 30mm Button Head Bolt, (2) 8mm x 24mm STD Flat Washers and (1) 8mm Nylon Lock Nut, **(Figure 15)**. Repeat this **Step** to attach the passenger/right Top Support Bracket.
12. Level and adjust the Grille Guard properly and tighten the Bracket to frame hardware only.
Models with splash guard:
 - a. Temporarily remove the Grille Guard.
 - b. Hold the splash guard up in place against the bottom of the Brackets, **(Figure 16)**. Mark the Bracket location onto the back of the splash guard, **(Figure 17)**. Use a knife or hacksaw blade to cut slots out of the splash guard to clear the Brackets.
 - c. Reinstall splash guard and Grille Guard. Fully tighten all hardware.**Models without splash guard** (Pro 4X model for example)
 - a. Fully tighten all hardware.
13. Do periodic inspections to the installation to make sure that all hardware is secure and tight.

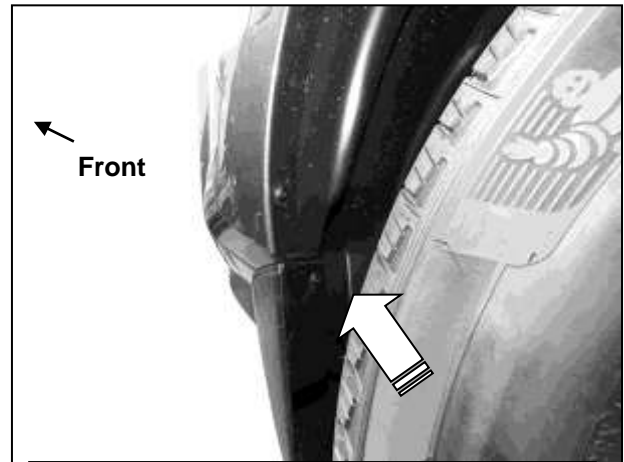
To protect your investment, wax this product after installing. Regular waxing is recommended to add a protective layer over the finish. Do not use any type of polish or wax that may contain abrasives that could damage the finish. Mild soap may be used to clean the Bull Bar.

S/S MODULAR GRILLE GUARD FOR 2022 NISSAN FRONTIER

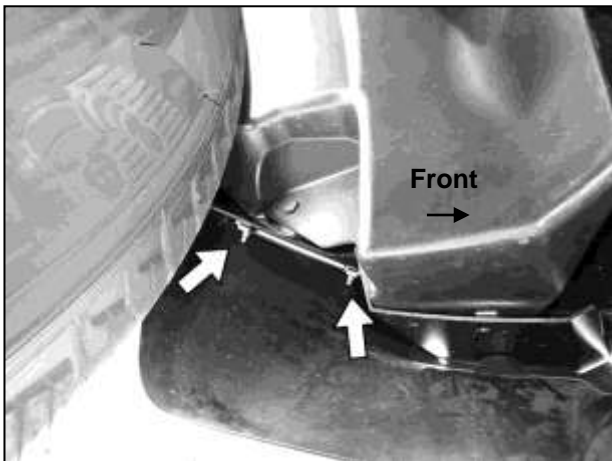
S/S MODULAR GRILLE GUARD FOR 2022 NISSAN FRONTIER
Driver/left Side Installation Pictured



(Fig 1) Model with splash guard (arrows)



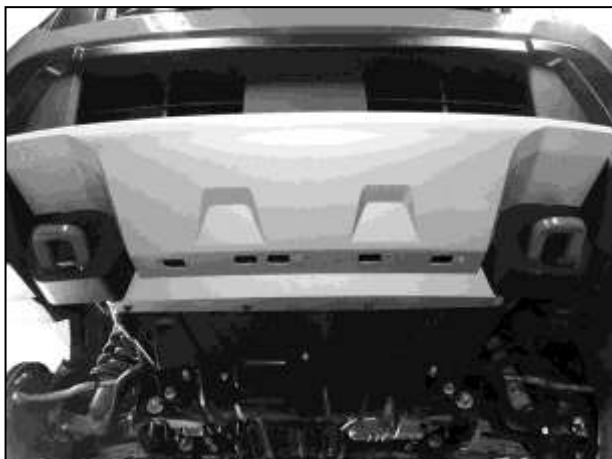
(Fig 2) Model with splash guard, remove hardware attaching end of cover to fender liner (arrow-driver/left side pictured)



(Fig 3) Pull fender liner back to locate and remove inner screws attaching outer ends of splash guard (arrows)

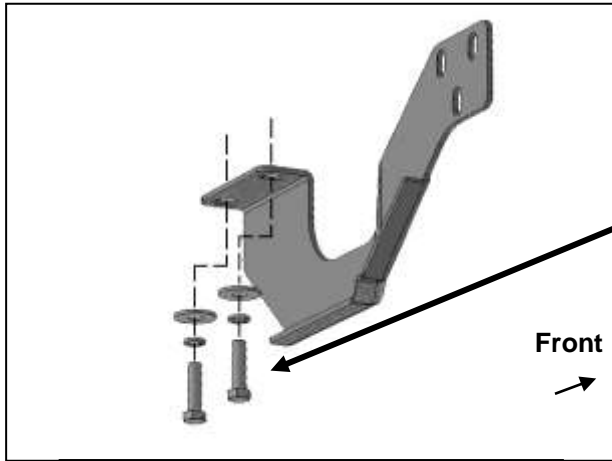


(Fig 4) Splash guard removed. Driver/left side of model without tow hook pictured



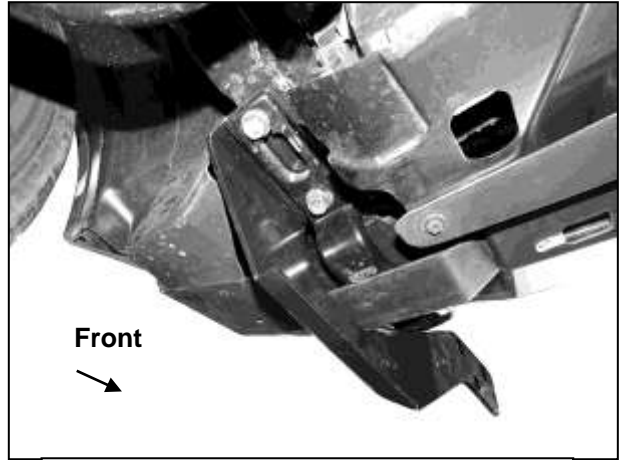
(Fig 5) Remove tow hooks if equipped. PRO4X model not equipped with splash guard pictured from below

Driver/left Side Installation Pictured



- (2) 12-1.25mm x 45mm Fine Thread Hex Bolts
- (2) 12mm Lock Washers
- (2) 12mm Flat Washers

(Fig 6) Attach driver/left side Bracket



(Fig 7) Driver/left side Bracket installed. Models with tow hooks, insert Bracket between tow hook and frame

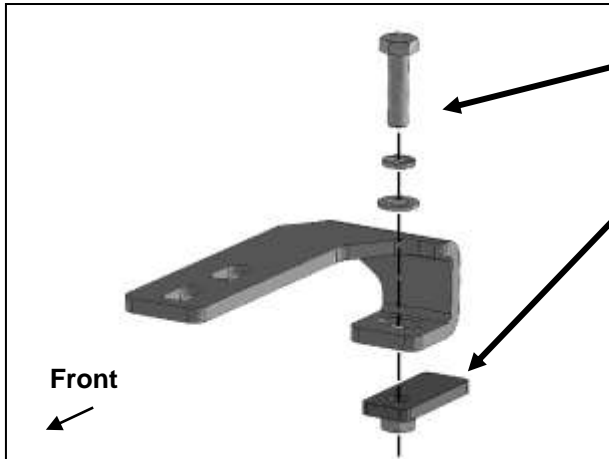


(Fig 8) Remove factory grille assembly



(Fig 9) Remove fasteners attaching top of bumper cover to steel bumper brackets (arrows)

Driver/left Side Installation Pictured



8mm x 30mm Hex Bolt
8mm Lock Washer
8mm x 16mm Small Flat Washer

8mm Nut Plate

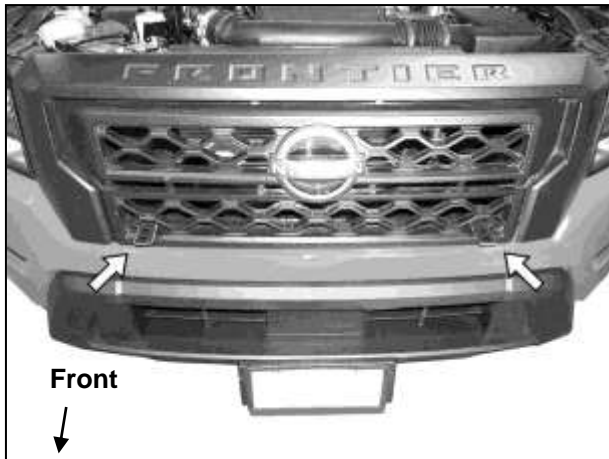
Front

(Fig 10) Hold 8mm Nut Plate up from below steel bumper support bracket. Attach driver/left side Inner Top Mounting Bracket to top of bumper and Nut Plate



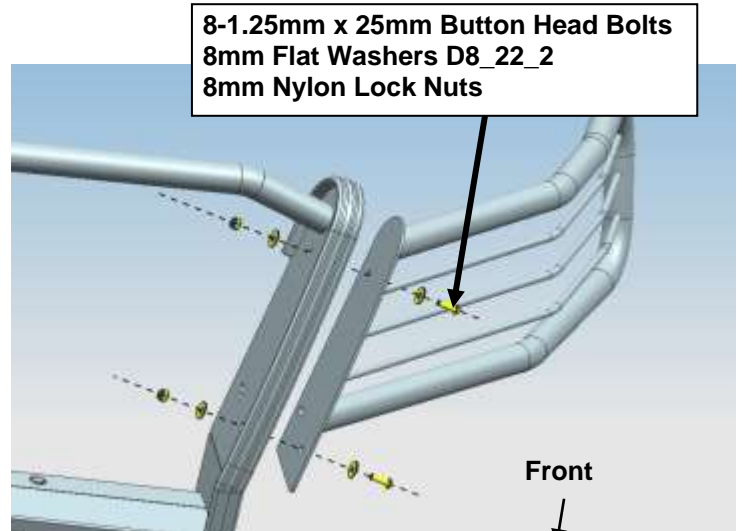
Front

(Fig 11) Attach driver/left side Inner Top Mounting Bracket to top of bumper



Front

(Fig 12) Reinstall grille. Guide Inner Top Mounting Brackets through openings in grille (arrows)



8-1.25mm x 25mm Button Head Bolts
8mm Flat Washers D8_22_2
8mm Nylon Lock Nuts

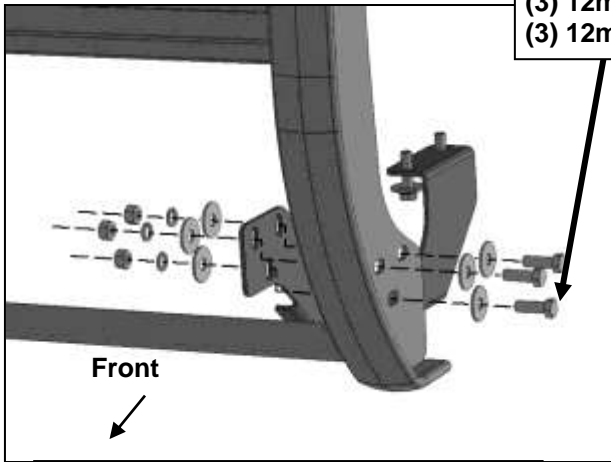
Front

(Fig 13) Use 8-1.25mm x 25mm Button Head Bolts, 8mm Flat Washers D8_22_2 and 8mm Nylon Lock Nuts to install Middle Guard with Left Bush Guard Wing. The left and right installation is consistent.

S/S MODULAR GRILLE GUARD FOR 2022 NISSAN FRONTIER

S/S MODULAR GRILLE GUARD FOR 2022 NISSAN FRONTIER

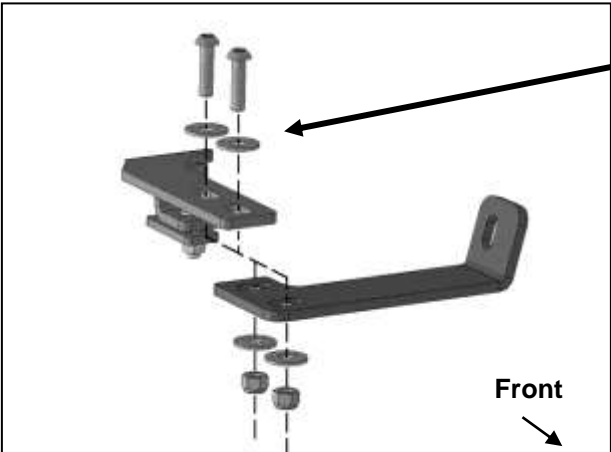
- (3) 12mm x 35mm Hex Bolts
- (6) 12mm Flat Washers
- (3) 12mm Lock Washers
- (3) 12mm Hex Nuts



(Fig 14) Install the grill guard on the brackets.

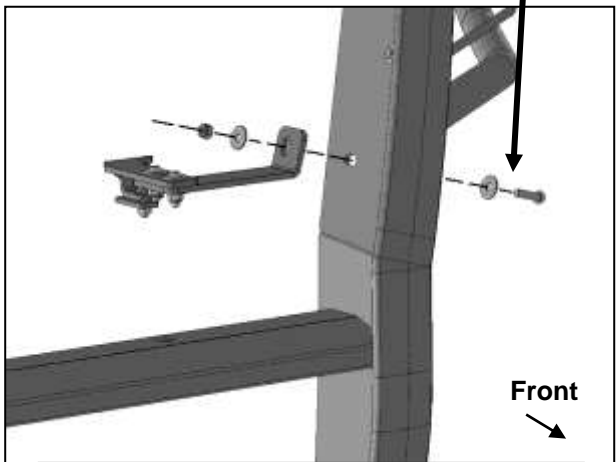
Driver/left Side Installation Pictured

- (2) 8mm x 30mm Button Head Bolts
- (4) 8mm x 24mm STD Flat Washers
- (2) 8mm Nylon Lock Nuts

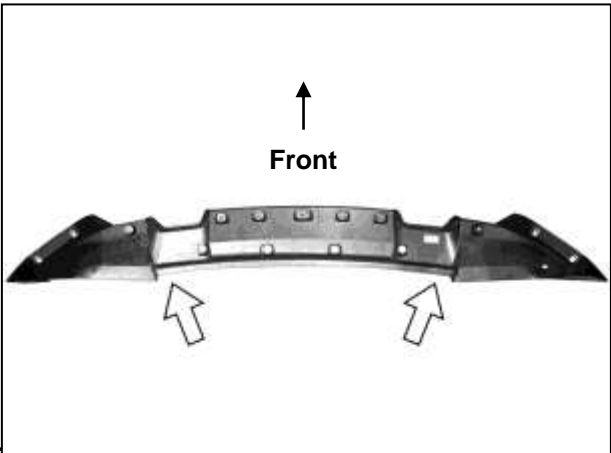


(Fig 15) Attach driver/left Outer Top Support Bracket to bottom of Inner Mounting Bracket

- 8mm x 30mm Button Head Bolt
- (2) 8mm x 24mm STD Flat Washers
- 8mm Nylon Lock Nut

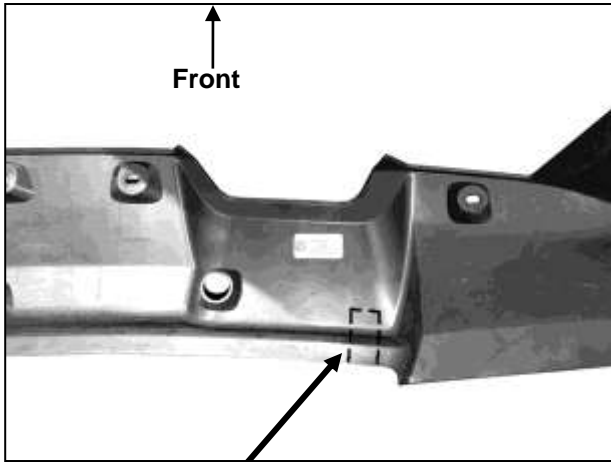


(Fig 16) Attach driver/left Top Support Bracket to inside of Grille Guard upright



(Fig 17) Mark Bracket location onto back of splash guard (arrows)

S/S MODULAR GRILLE GUARD FOR 2022 NISSAN FRONTIER



(Fig 18) Cut slots to clear the Brackets (passenger/right side pictured, dashed line for example only)



Complete Installation