



**BLACK HORSE
OFF ROAD®**

TEL: 1-866-XANATOS

INSTALLATION INSTRUCTIONS

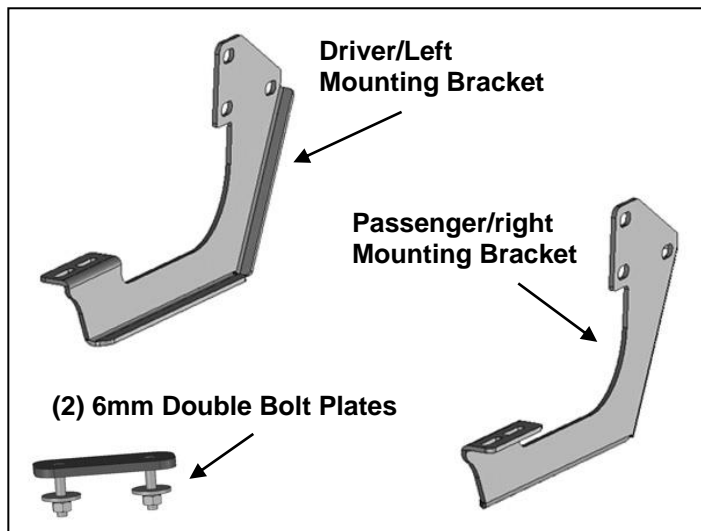
REAR STEP

**10-24 MERCEDES, 07-09 FREIGHTLINER AND 07-09 DODGE SPRINTER VAN
EXCLUDES MODELS WITH RECEIVER HITCH**

PART#: 8DOSPA

PARTS LIST:

1	Rear Step	6	12-1.75mm Nylon Lock Nut
1	Driver/left Frame Mounting Bracket	2	6mm Double Bolt Plate
1	Passenger/right Frame Mounting Bracket	4	6mm x 22mm x 2mm Flat Washers
6	12-1.75mm x 110mm Hex Bolt	4	6mm Lock Washers
12	12mm x 32mm x 3mm Flat Washer	4	6mm Hex Nuts



PROCEDURE:

REMOVE CONTENTS FROM BOX. VERIFY ALL PARTS ARE PRESENT. READ INSTRUCTIONS CAREFULLY BEFORE STARTING INSTALLATION. ASSISTANCE IS RECOMMENDED. LET EXHAUST COOL COMPLETELY BEFORE INSTALLATION.

1. Start the installation under the driver side, rear of the vehicle, **(Figure 1)**. Determine the correct installation for your model.

Models without factory receiver hitch:

- a. Locate the (4) factory holes in the end of the driver side frame channel, **(Figure 1)**. Select the driver side Frame Bracket, **(Figure 2)**. **IMPORTANT:** On models without receiver hitch, install the Bracket on the inside of the frame channel, **(Figure 1)**.
- a. Attach the Frame Bracket to the inside of the frame with the included (3) 12mm x 110mm Hex Bolts, (6) 12mm Flat Washers and (3) 12mm Nylon Lock nuts. Do not fully tighten hardware, **(Figure 2)**.

Models with factory receiver hitch:

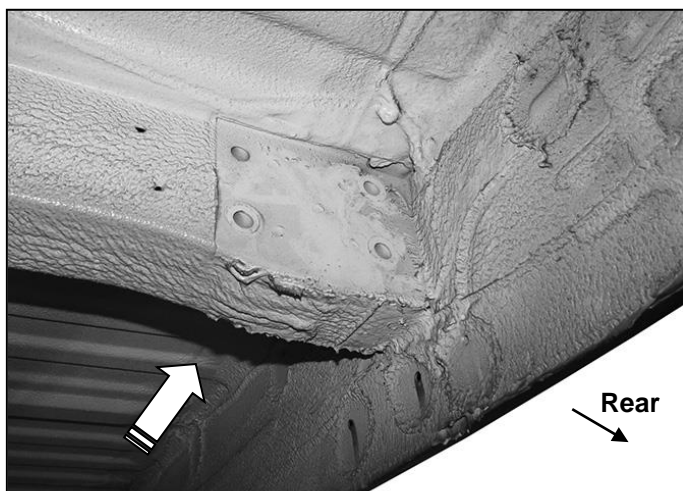
- b. Locate the (4) factory hex bolts attaching the receiver hitch to the inside of the driver side frame channel, **(Figure 3)**. Select the passenger side Frame Bracket, **(Figure 4)**. **IMPORTANT:** On models with receiver hitch, the Brackets will be flipped side to side so the passenger side Bracket will be installed on the outside of the driver side frame channel to clear the hitch, **(Figure 4)**.
- b. Hold the Bracket up in place on the outside of the frame channel to determine which (3) hex bolts to remove. Remove the necessary (3) hex bolts only.
- c. Attach the Frame Bracket to the outside of the frame with the included longer (3) 12mm x 110mm Hex Bolts, (6) 12mm Flat Washers and (3) 12mm Nylon Lock nuts, **(Figure 5)**. Do not fully tighten hardware at this time.

2. Repeat the above Steps to install the passenger side Frame Bracket.

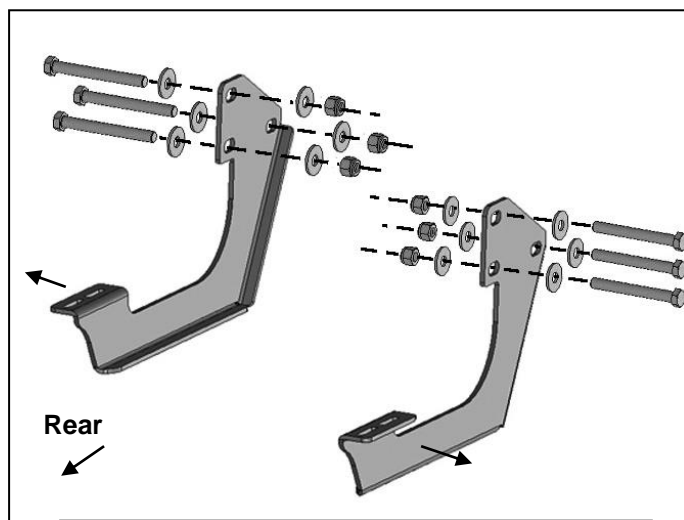
- Carefully unwrap the Rear Step. Select the (2) 6mm Double Bolt Plates. Hold the Rear Step up to the (2) previously installed Brackets to determine correct location for Bolt Plates. Slide the (2) Double Bolt Plates into the track in the bottom of the Rear Step, **(Figure 6)**. Attach the Rear Step with Bolt Plates to the top of the (2) Brackets with (4) 6mm Flat Washers, (4) 6mm Lock Washers and (4) 6mm Hex Nuts, **(Figure 7)**. Leave loose at this time.
- Adjust the Rear Step as desired and tighten all hardware.
- Do periodic inspections to the installation to make sure that all hardware is secure and tight.

To protect your investment, wax this product after installing. Regular waxing is recommended to add a protective layer over the finish. Do not use any type of polish or wax that may contain abrasives that could damage the finish. Use only mild soap to clean the Rear Step.

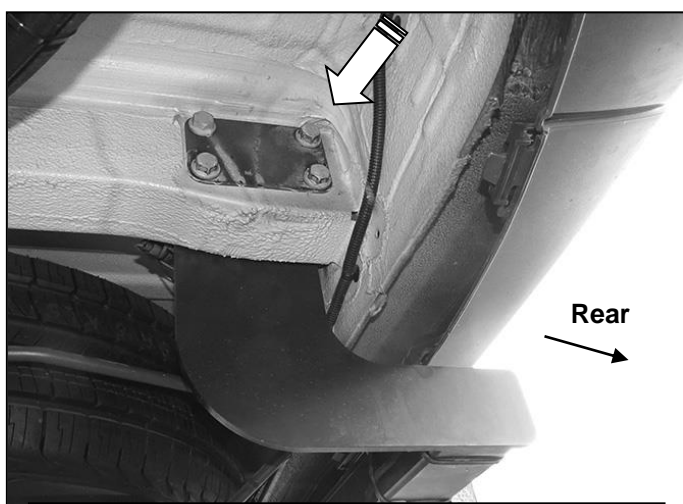
Driver/left Side Installation Pictured



(Fig 1) Driver side mounting location w-o hitch. Attach Brackets to inside/back of frame channel

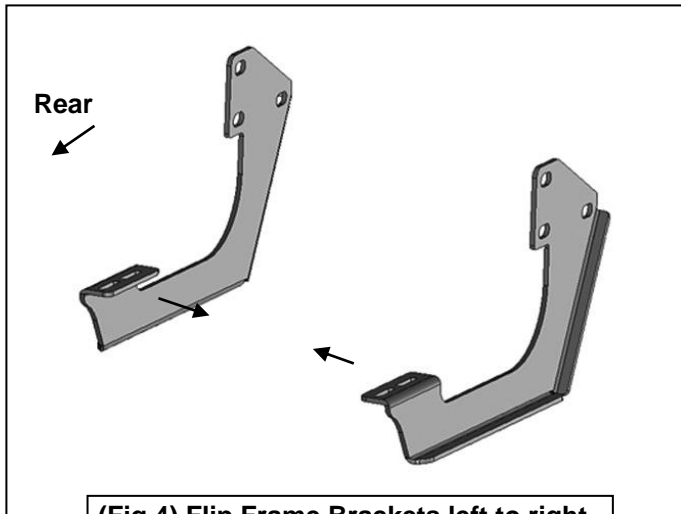


(Fig 2) Frame Brackets for models w-o hitch



(Fig 3) Driver side mounting location with hitch

Driver/left Side Installation Pictured

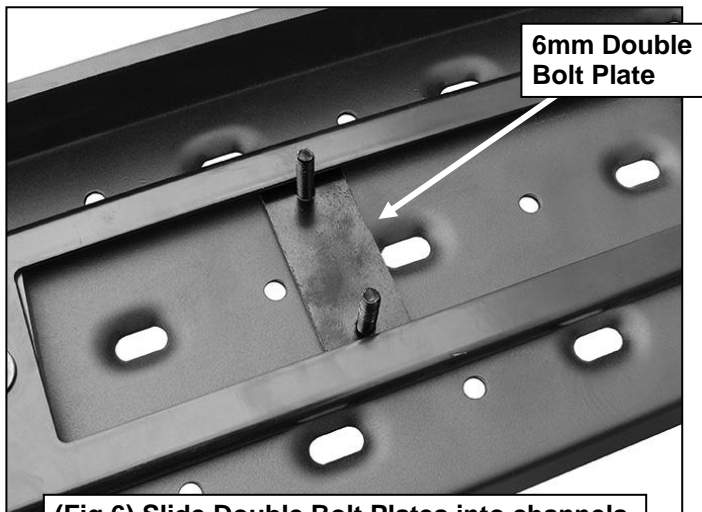


(Fig 4) Flip Frame Brackets left to right for models with receiver hitch. Attach Brackets to outside of frame channel

- (3) 12mm Hex Bolts
- (6) 12mm Flat Washers
- (3) 12mm Nylon Lock Nuts



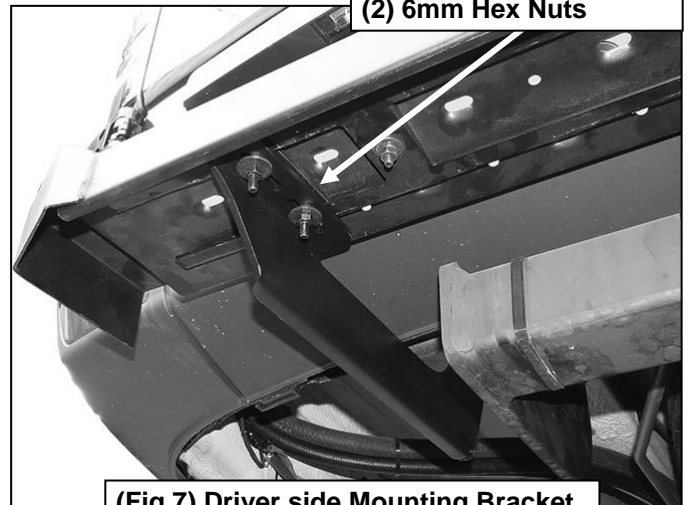
(Fig 5) Passenger side Bracket installed on outside of driver side frame channel (models with hitch only)



6mm Double Bolt Plate

(Fig 6) Slide Double Bolt Plates into channels

- (2) 6mm Flat Washers
- (2) 6mm Lock Washers
- (2) 6mm Hex Nuts



(Fig 7) Driver side Mounting Bracket installed with factory tow hitch