



**BLACK HORSE
OFF ROAD®**

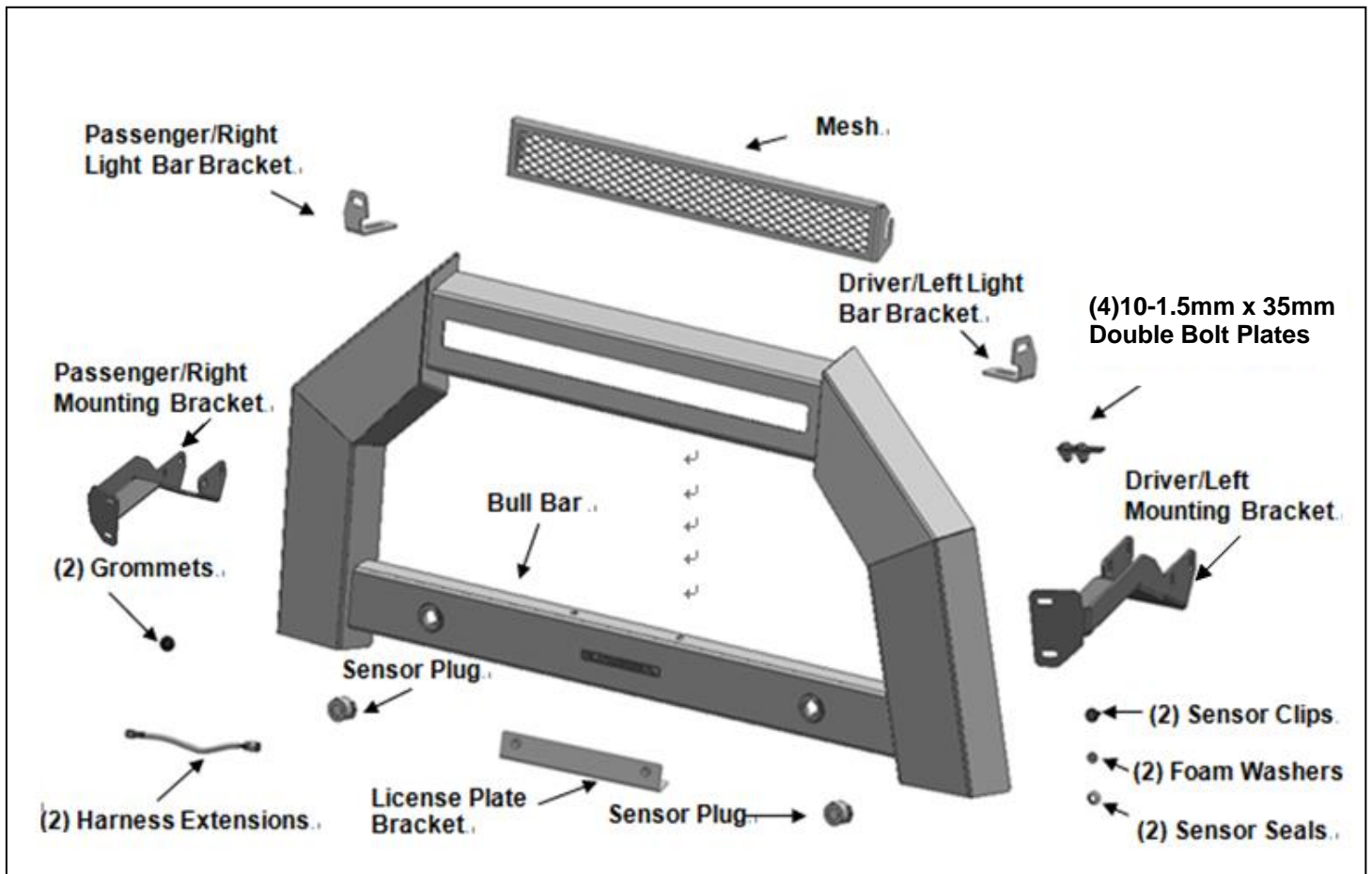
TEL: 1-866-XANATOS

INSTALLATION INSTRUCTIONS

**ARMOUR BULL BAR
20-24 CHEVY SILVERADO 2500/3500
(W/ Parking Sensor)
PART# GM27/AB-GM27-NL/AB-GM27**

PARTS LIST:

1	Bull Bar	2	8mm Nylon Lock Nuts
1	Driver/Left Side Bull Bar Bracket	2	8-1.25mm x 20mm Hex Bolts
1	Passenger/Right Side Bull Bar Bracket	2	8-1.25mm x 16mm Hex Bolts
1	Driver/Left Side Light Bar Bracket	8	8mm x 24mm x 2mm Flat Washers
1	Passenger/Right Side Light Bar Bracket	4	8mm Lock Washers
1	Mesh	2	8mm Hex Nuts
1	License Plate Bracket	2	6-1.0mm x 20mm Combo Bolts
2	Rubber Sensor Plugs	2	6-1.0mm x 20mm Button Head Bolts
2	GM Sensor Wire Harness Extensions	4	6mm x 18mm x 1.6mm Flat Washers
2	Rubber Grommets	2	6mm Lock Washers
2	Sensor Clips	2	6mm Hex Nuts
2	Sensor Seal Washers	4	4mm x 10mm Button Head Bolts (Backup Accessories)
2	20mm x 2mm Foam Washers	1	Wrench S=4 (Backup Accessories)
4	10-1.5mm x 25mm Hex Bolts	1	Wrench S=2.5
4	10mm x 30mm x 2.5mm Flat Washers	1	20inch LED Single Row Light
8	10mm x 27mm x 3mm Flat Washers		
4	10mm Lock Washers		
8	10mm Nylon Lock Nuts		
4	10-1.5mm x 35mm Double Bolt Plates		



PROCEDURE:

REMOVE CONTENTS FROM BOX AND VERIFY ALL PARTS ARE PRESENT. READ INSTRUCTIONS CAREFULLY. CUTTING MAY BE REQUIRED. INSTALLATION MAY INTERFERE WITH FRONT MOUNTED SENSORS. NOTE: It may be necessary to remove/relocate front license plate and license plate bracket. It is not required, but strongly recommended. If local/state law requires a front license plate, license plate relocation kit is available.

1. Starting at the driver side, remove the factory tow hook if equipped, **(Figures 1 & 2)**. **NOTE:** This Bull Bar is not compatible with the factory tow hooks and they will not be reinstalled. **IMPORTANT:** On some models, with and without tow hooks, the pocket in the plastic bumper may need to be cut out to clear the Brackets, **(Figure 1)**. Use a sharp knife or hacksaw blade and carefully cut out the pockets required. Only cut enough to clear the Brackets.
2. Select the driver side Mounting Bracket. Insert the Bracket through the opening in the bumper, **(Figure 3)**. Trim the plastic as required to clear the Brackets, **(Figure 7)**.
3. Line up the holes in the Bracket with the holes in the end of the frame channel for the tow hook, **(Figure 3)**. Select (1) 10mm Double Bolt Plate, **(Figure 4)**. Insert the Bolt Plate into the end of the frame, through the (2) holes in the side of the frame and out through the Bracket, **(Figures 5)**. Secure the Bracket to the Bolt Plate with (2) 10mm Flat Washers and (2) 10mm Nylon Lock Nuts. Do not fully tighten hardware.
4. Repeat **Step 3** to install the 12mm Double Bolt Plate, into the remaining hole in the other side of the frame channel and Bracket, **(Figures 6)**.
5. Repeat **Steps 3 —5** to install the passenger side Frame Bracket and Bull Bar Bracket.
6. Relocation of front license plate is not required, but strongly recommended.
 - a. Attach the License Plate Bracket to the Bull Bar with (2) 6mm Button Head Bolts, (4) 6mm Flat Washers, (2) 6mm Lock Washers and (2) 6mm Hex Nuts, **(Figure 8)**. Use (2) 6mm Combination Bolts to attach the front license plate to the Bracket, **(Figure 8)**.
7. **Mesh and LED Light installation, (LED light sold separately)**. Select the driver/left side Light Bar Bracket. Attach the Bracket to the back of the mounting plate on the Bull Bar with (1) 8mm x 20mm Hex Bolt, (2) 8mm Flat Washers, (1) 8mm Lock Washer and (1) 8mm Hex Nut, **(Figure 9)**. Repeat this step to attach the passenger/right side Light Bar Bracket to the back of the Bull Bar. Do not tighten hardware.

LED Light Installation

- a. Use (2) 8mm x 16mm Hex Bolts, (2) 8mm Lock Washers and (2) 8mm Flat Washers to attach the Light Bar Brackets to the Bull Bar, **(Figure 10)**.
- b. Follow the light manufacturer's instructions to attach the Bull Bar.
- c. Follow light manufacturer's instructions to properly wire the Bull Bar.

Mesh installation

- a. Use (2) 8mm x 16mm Hex Bolts, (4) 8mm Flat Washers, (2) 8mm Lock Washers and (2) 8mm Hex Nuts to attach the Mesh to the inside surface of the Light Bar Brackets, **(Figure 11)**.
- b. Level and adjust the Brackets to the Mesh Panel and fully tighten hardware.

8. Determine if the vehicle is equipped with parking sensors

Models without sensors

- a. Select (2) Sensor Plugs. Insert Rubber Plugs into back of sensor mounts, **(Figure 12)**.

Models with Sensors:

- a. Unplug and remove sensors from factory bumper.
 - b. Remove the silicone seal from the end of the sensor. Slide the included larger Sensor Seal over front of sensor, **(Figure 13)**.
 - c. Insert sensor with Seal into sensor mount, **(Figure 14)**. **NOTE:** It may be easier to attach the included Wiring Extension to the sensor before installing.
 - d. Place Foam Washer over end of sensor. Push Sensor Retaining Clip into sensor mount and lock into mounting holes, **(Figure 14)**.
 - e. Repeat previous Steps to install remaining sensor.
9. With assistance, hold the assembled Bull Bar up to the Mounting Brackets. Line up the (2) lower holes in the Uprights with the (2) holes in the Mounting Brackets. Attach the assembled Bull Bar to the Brackets with (4) 10mm Hex Bolts, (4) 10mm Lock Washers and (4) 10mm x 30mm Large Flat Washers, **(Figure 15)**. Do not tighten hardware at this time.

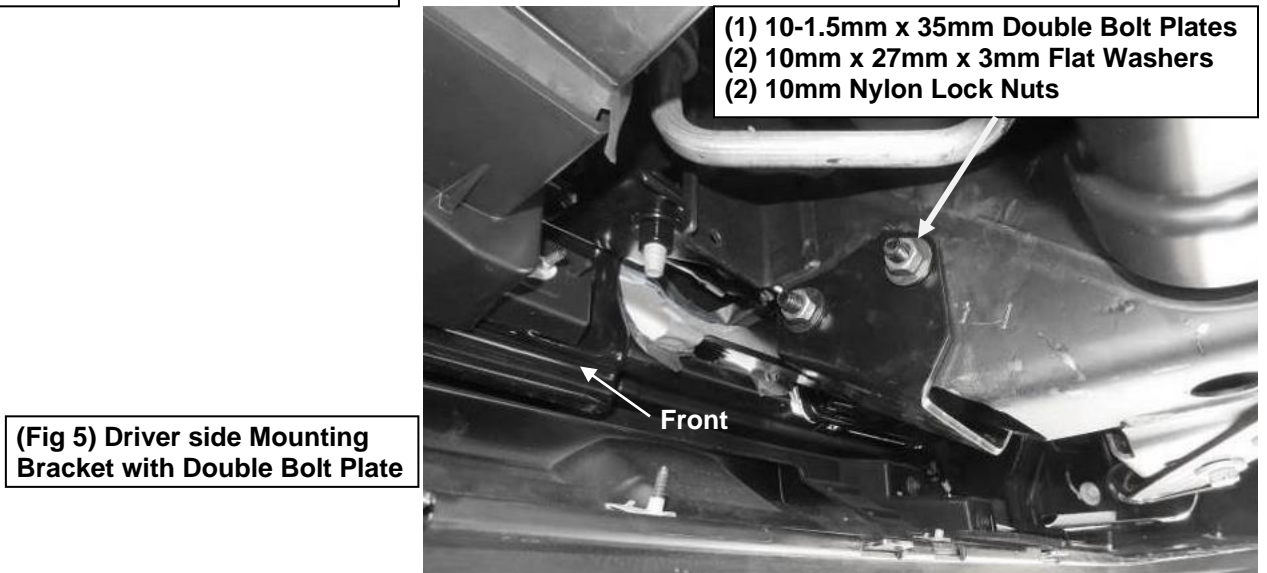
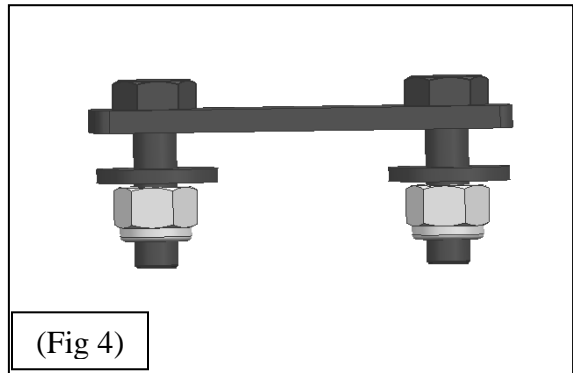
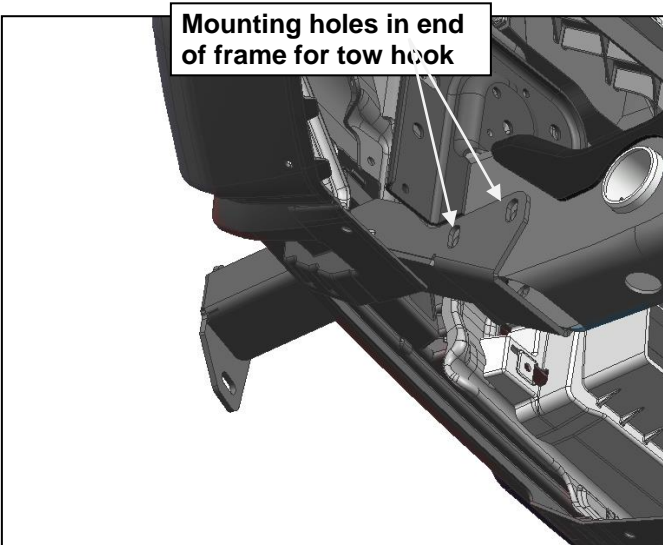
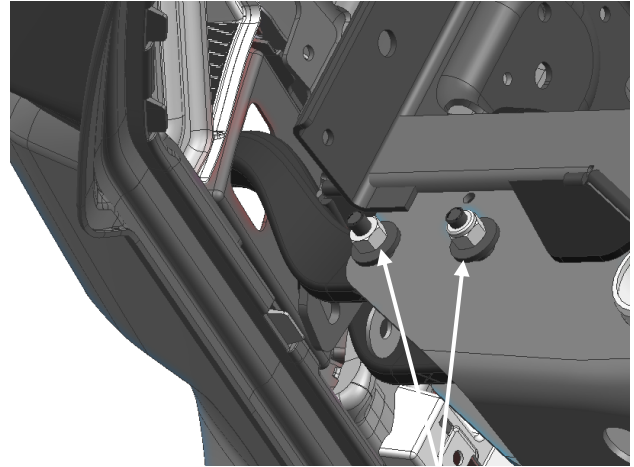
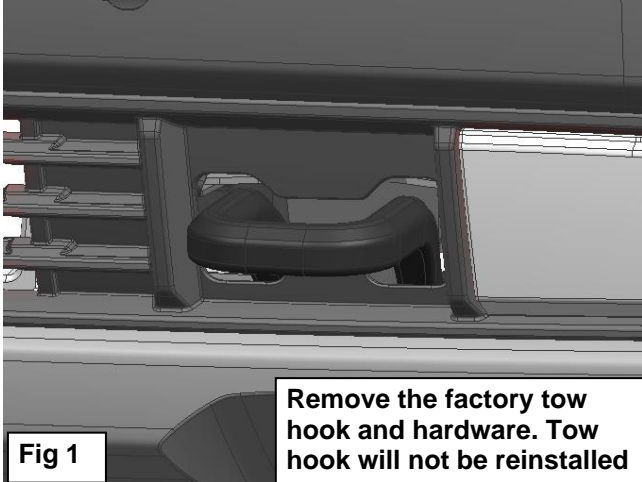
10. Models with sensors only:

- b.** Select (1) Rubber Grommet. Slide the Grommet over the small male plug on the Wiring Extension, **(Figure 16)**.
- c.** Push the Grommet into the hole in the bumper.
- d.** Plug the Extension into the factory wiring harness for the sensor. Repeat the previous Steps to attach the remaining Wiring Extension.

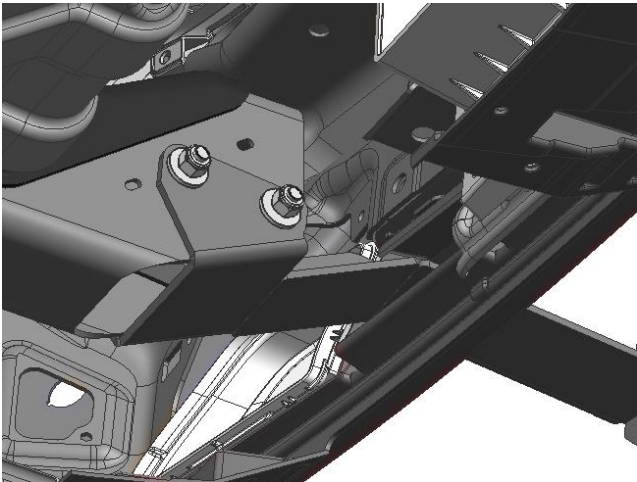
11. Do periodic inspections to the installation to make sure that all hardware is secure and tight.

To protect your investment, wax this product after installing. Regular waxing is recommended to add a protective layer over the finish. Do not use any type of polish or wax that may contain abrasives that could damage the finish. Mild soap may be used to clean the Bull Bar.

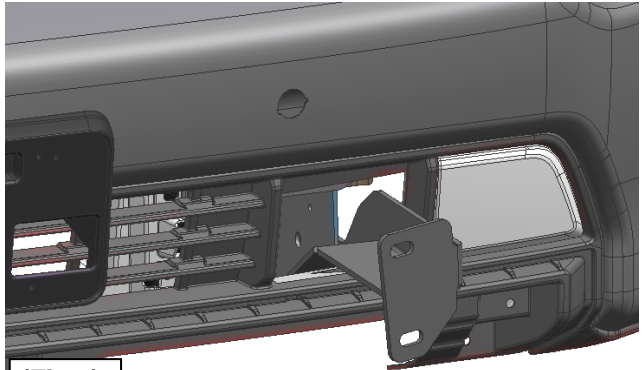
Driver Side Installation Pictured



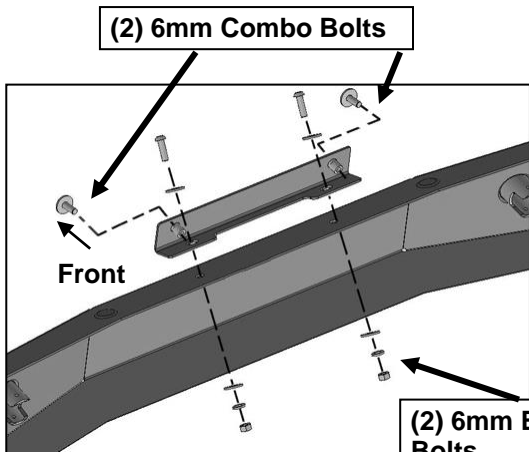
Driver Side Installation Pictured



(Fig 6) Driver side Mounting Bracket with Double Bolt Plate



(Fig 7)

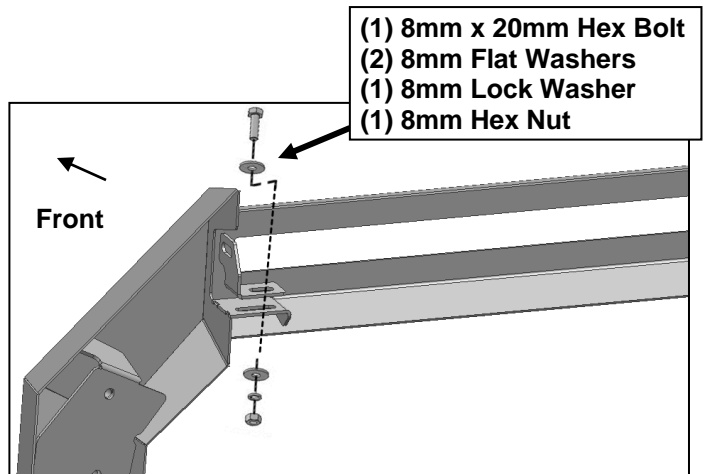


- (2) 6mm Combo Bolts

Front

(Fig 8) License Plate Bracket attached to the Bull Bar

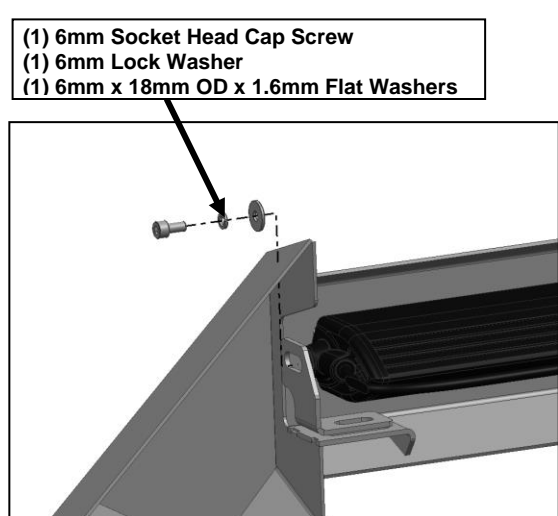
- (2) 6mm Button Head Bolts
- (4) 6mm Flat Washers
- (2) 6mm Lock Washers
- (2) 6mm Hex Nuts



- (1) 8mm x 20mm Hex Bolt
- (2) 8mm Flat Washers
- (1) 8mm Lock Washer
- (1) 8mm Hex Nut

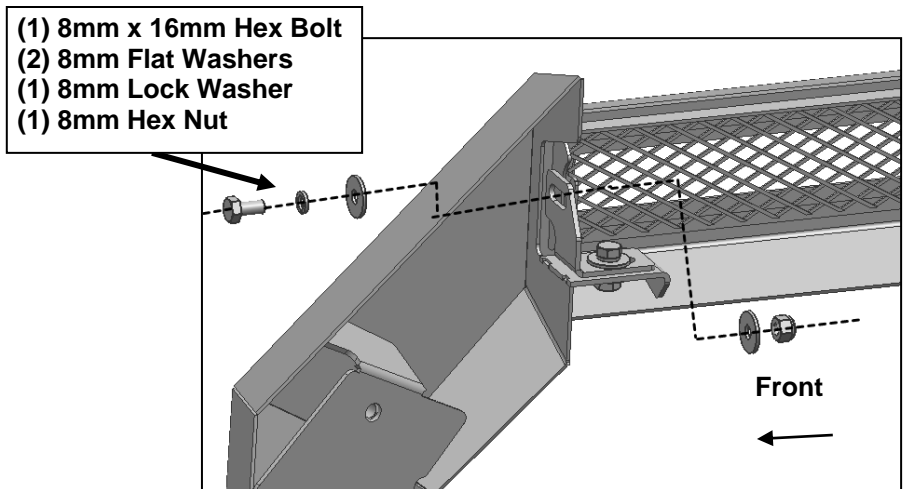
Front

(Fig 9) Driver side light bar Bracket attached to the Bull Bar



- (1) 6mm Socket Head Cap Screw
- (1) 6mm Lock Washer
- (1) 6mm x 18mm OD x 1.6mm Flat Washers

(Fig 10) Driver side light bar Bracket attached to the Bull Bar hardware

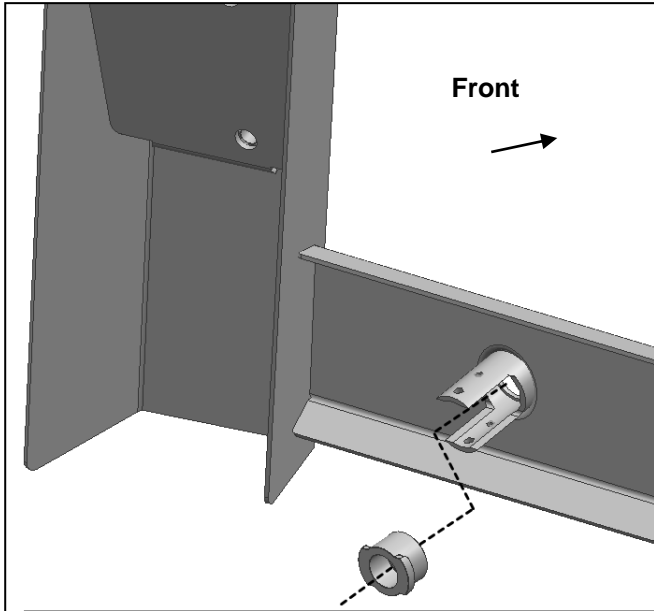


- (1) 8mm x 16mm Hex Bolt
- (2) 8mm Flat Washers
- (1) 8mm Lock Washer
- (1) 8mm Hex Nut

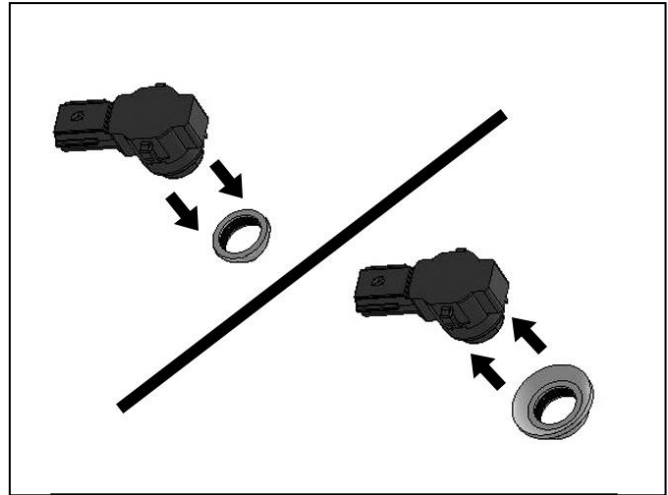
Front

(Fig 11) Driver side light bar Bracket attached to Mesh hardware

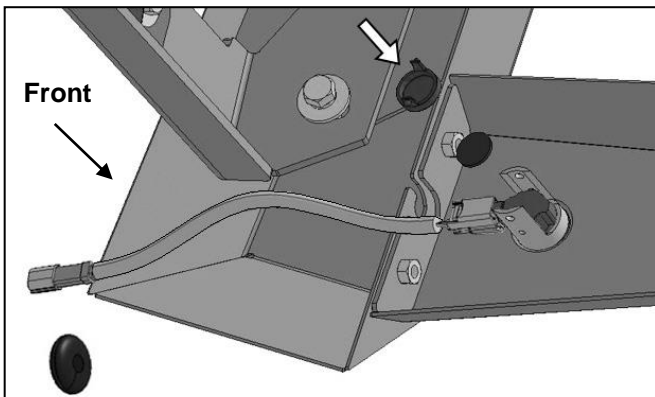
Driver Side Installation Pictured



(Fig 12) Attach Sensor Plug into Sensor Sleeve



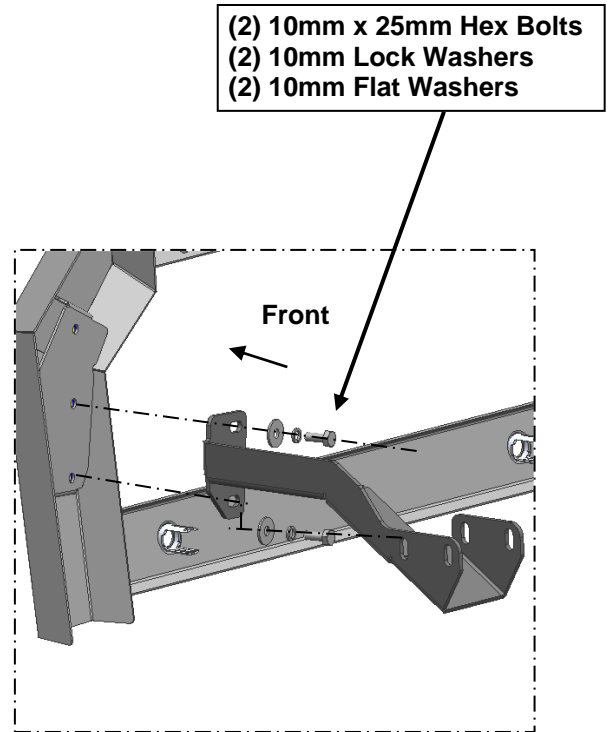
(Fig 13) Remove silicone seal from sensor. Slide large Seal over end of sensor (arrow)



(Fig 14) Slide sensor into sleeve, insert Foam Washer and Clip to lock sensor in sleeve
For example only



(Fig 16) Models with sensors, slide Grommet over small end of Harness Extension. Push Grommet into hole in bumper and attach to wiring harness



(Fig 15) Attach Bull Bar Bracket to back of Bull Bar