



**BLACK HORSE
OFF ROAD®**

TEL: 1-866-XANATOS

INSTALLATION INSTRUCTIONS

ARMOUR BULL BAR

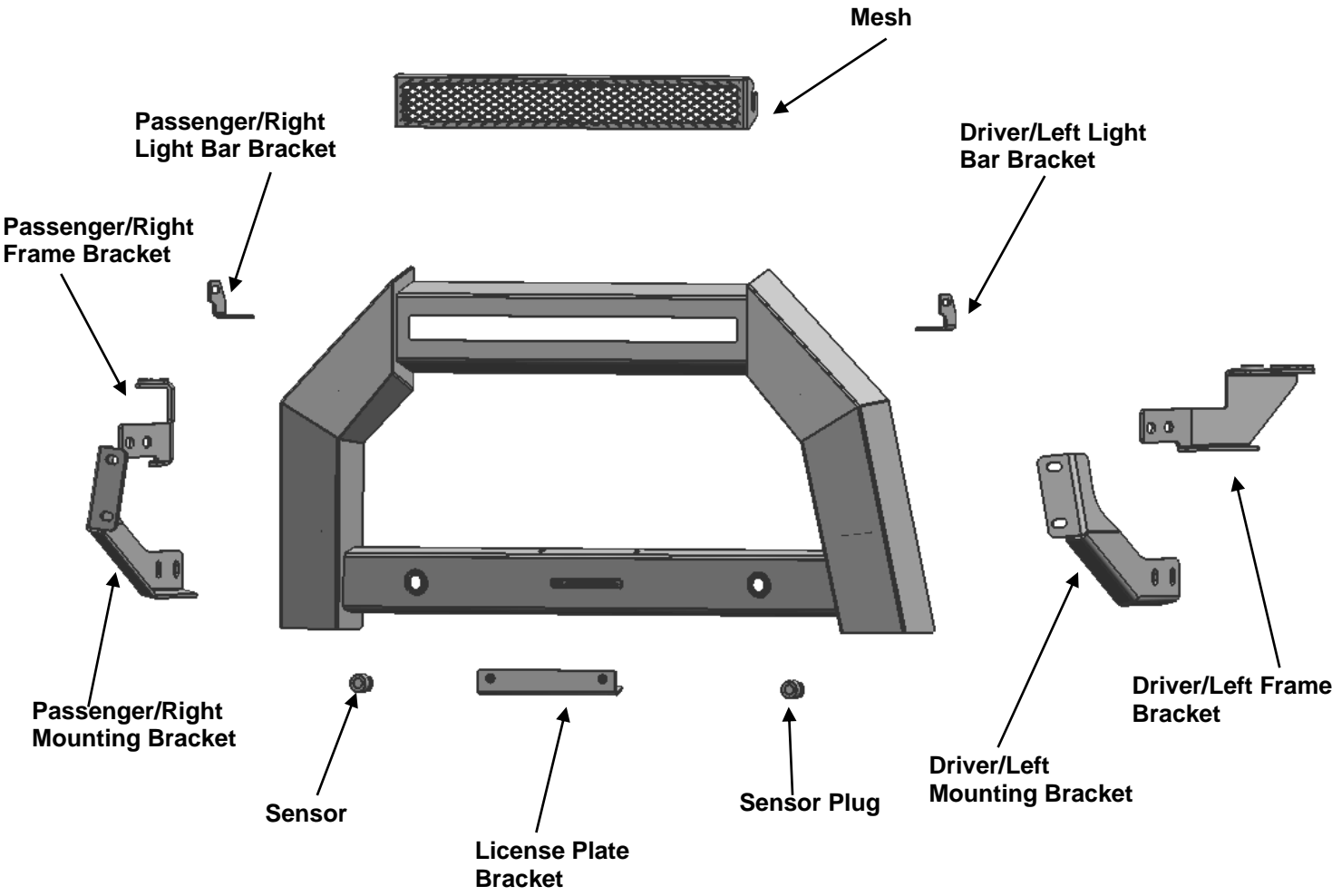
2022-2024 JEEP GRAND CHEROKEE (INCL. 2022-24 4XE)

2021-2024 JEEP GRAND CHEROKEE "L"

PART#JE22/AB-JE22-NL/AB-JE22

PARTS LIST:

1	Bull Bar	2	8-1.25mm x 16mm Hex Bolt
1	Driver/Left Frame Bracket	2	8mm Hex Nut
1	Passenger/Right Frame Bracket	2	8mm Nylon Lock Nut
1	Driver/Left Mounting Bracket	8	8mm x 24mm x2mm Flat Washer
1	Passenger/Right Mounting Bracket	4	8mm Lock Washer
1	Driver/Left Side Light Bar Bracket	2	8-1.25mm x 20mm Hex Bolt
1	Passenger/Right Side Light Bar Bracket	4	6mm x 18mm x 1.6mm Flat Washer
1	Mesh	2	6mm Lock Washer
1	License Plate Bracket	2	6mm Hex Nut
2	Rubber Sensor Plugs	2	6-1.0mm x 20mm Combo Bolt
4	10-1.5mm x 35mm Hex Bolt	2	6-1.0mm x 20mm Button Head Bolt
4	10-1.5mm x 25mm Hex Bolt	4	4-1.0mm x 10mm Button Head Bolt
12	10mm x 30mm x 2.5mm Flat Washer	1	Wrench S=4
8	10mm Lock Washer	1	Wrench S=2.5
4	10mm Hex Nut	1	20inch LED Single Row Light



PROCEDURE:

REMOVE CONTENTS FROM BOX AND VERIFY ALL PARTS ARE PRESENT. READ INSTRUCTIONS CAREFULLY. CUTTING MAY BE REQUIRED. INSTALLATION MAY INTERFERE WITH FRONT MOUNTED SENSORS. NOTE: It may be necessary to remove/relocate front license plate and license plate bracket. It is not required, but strongly recommended. If local/state law requires a front license plate, license plate relocation kit is available.

1. Start installation from under the front of the vehicle.
2. Determine if the vehicle is equipped with tow hooks. Remove the tow hook, **(Figures 1)**. **IMPORTANT:** Tow hooks cannot be reinstalled with the Bull Bar.
3. Select the passenger/right Frame Bracket. Install frame and vehicle the position align under and use vehicle to fix frame and vehicle conjunction from Hardware taking **(Figure 2)**;
4. Then, select the passenger/right Mounting Bracket **(Figure 3)**. Attach the Bull Bar Bracket to the outside of the Frame Bracket with (2) 10-1.5mm x 35mm Hex Bolt, (4) 10mm x 30mm x 2.5mm Flat Washer, (2) 10mm Lock Washer and (2) 10mm Hex Nut **(Figure 3)**.
5. Repeat **Steps 2 & 3** to install the driver/left Mounting Bracket.
6. Relocation of front license plate is not required, but strongly recommended.
 - a. Attach the License Plate Bracket to the Bull Bar with (2) 6mm Button Head Bolts, (4) 6mm Flat Washers, (2) 6mm Lock Washers and (2) 6mm Hex Nuts, **(Figure 4)**. Use (2) 6mm Combination Bolts to attach the front license plate to the Bracket, **(Figure 4)**.
7. **Mesh and LED Light installation, (LED light sold separately)**. Select the driver/left side Light Bar Bracket. Attach the Bracket to the back of the mounting plate on the Bull Bar with (1) 8mm x 20mm Hex Bolt, (2) 8mm Flat Washers, (1) 8mm Lock Washer and (1) 8mm Hex Nut, **(Figure 5)**. Repeat this step to attach the passenger/right side Light Bar Bracket to the back of the Bull Bar. Do not tighten hardware.

LED Light Installation

- a. Use (2) 8-1.25mm x 16mm Hex Bolts, (2) 8mm Lock Washers and (2) 8mm Flat Washers to attach the Light Bar Brackets to the Bull Bar, **(Figure 6)**.
- b. Follow the light manufacturer's instructions to attach the Bull Bar.
- c. Follow light manufacturer's instructions to properly wire the Bull Bar.

Mesh installation

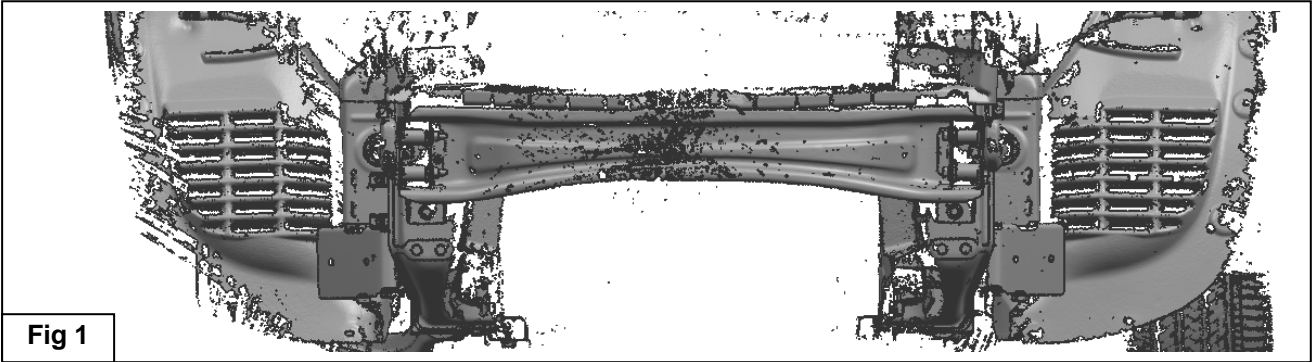
- a. Use (2) 8-1.25mm x 16mm Hex Bolts, (4) 8mm Flat Washers, (2) 8mm Lock Washers and (2) 8mm Hex Nuts to attach the Mesh to the inside surface of the Light Bar Brackets, **(Figure 7)**.
- b. Level and adjust the Brackets to the Mesh Panel and fully tighten hardware.
8. With assistance, hold up the assembled Bull Bar to the Bull Bar Brackets. Align the (2) bottom holes on the Uprights with the Brackets. Bolt the assembled Bull Bar to the Brackets with (2) 10mm x 25mm Hex Bolts, (2) 10mm Lock Washer and (2) 10mm Flat Washers, **(Figures 8)**.
9. Level and adjust the Bull Bar properly and tighten all hardware.
10. Select the (2) Sensor Plugs. Push the sensor plugs into the sensor sleeves behind the Bull Bar **(Figure 9)**
11. Level and adjust the Bull Bar properly and tighten all hardware. Reinstall the tow hook if removed.
12. Do periodic inspections to the installation to make sure that all hardware is secure and tight.

To protect your investment, wax this product after installing. Regular waxing is recommended to add a protective layer over the finish. Do not use any type of polish or wax that may contain abrasives that could damage the finish.

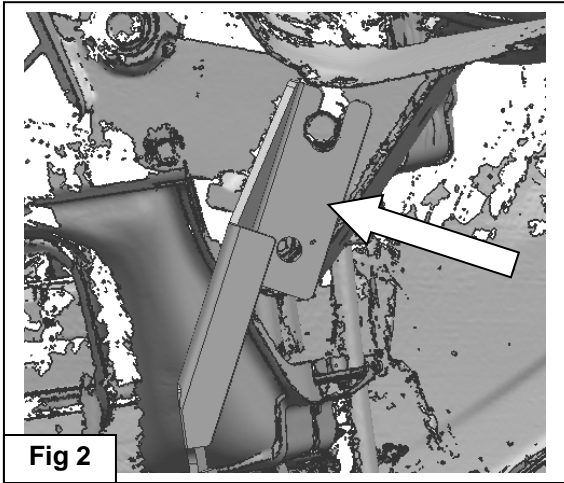
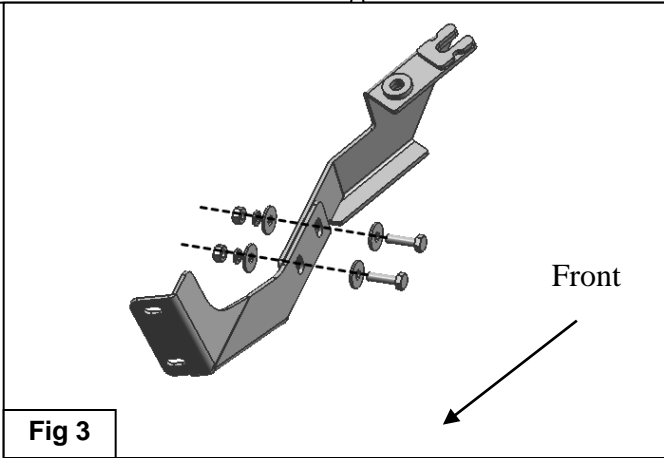
For stainless steel: Aluminum polish may be used to polish small scratches and scuffs on the finish. Mild soap may be used also to clean the Bull Bar.

For gloss black finishes: Mild soap may be used to clean the Bull Bar.

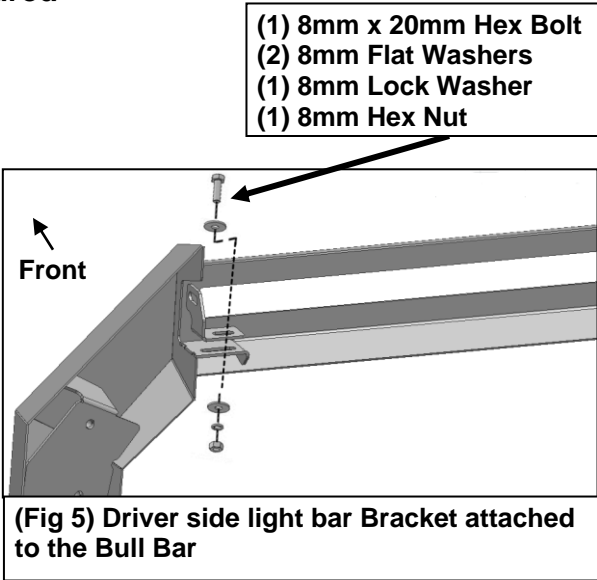
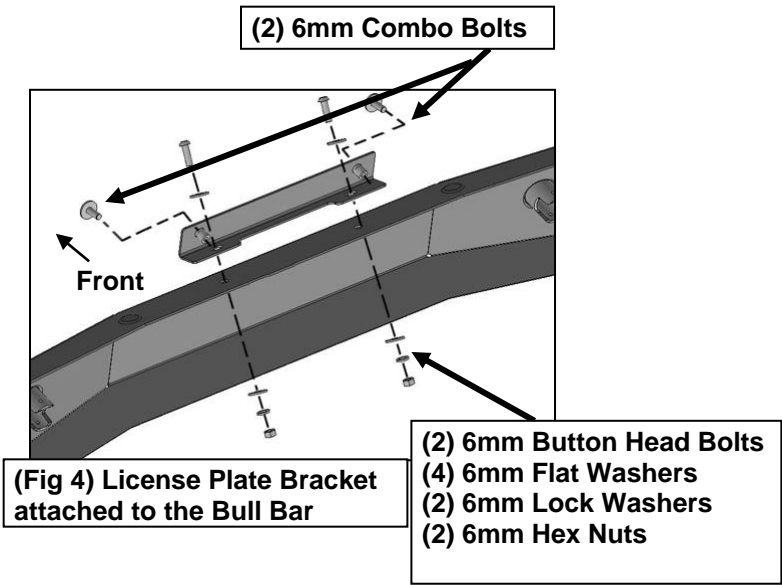
Passenger/right Side Installation Pictured



- (2) 10mm Lock Washers
- (2) 10mm Hex Nuts
- (2) 10-1.5mm x 35mm Hex Bolts
- (4) 10mm x 30mm x 2.5mm Flat Washers

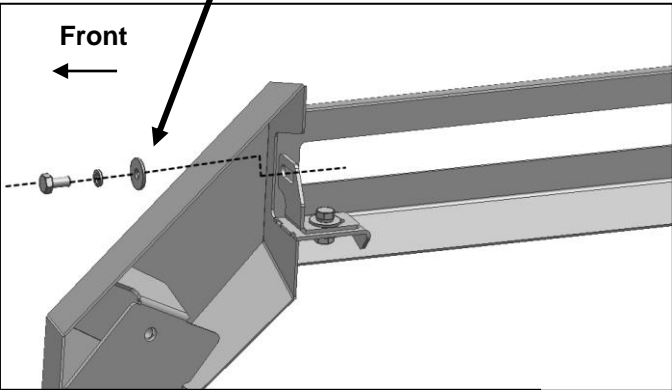


Driver Side Installation Pictured

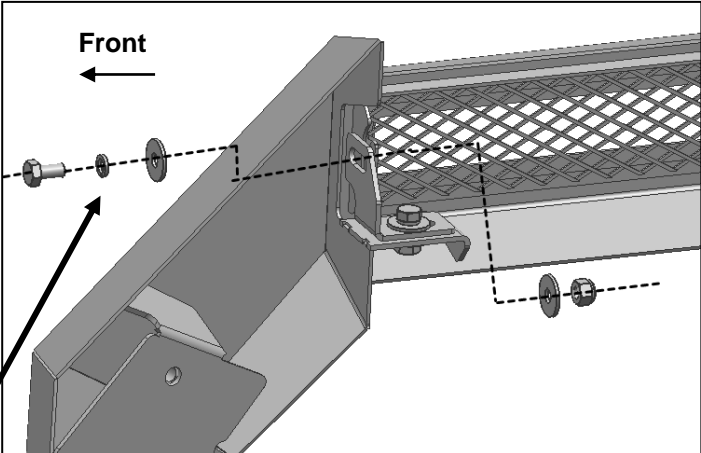


Driver Side Installation Pictured

8mm x 16mm Hex Bolt
8mm Lock Washer
8mm Flat Washer



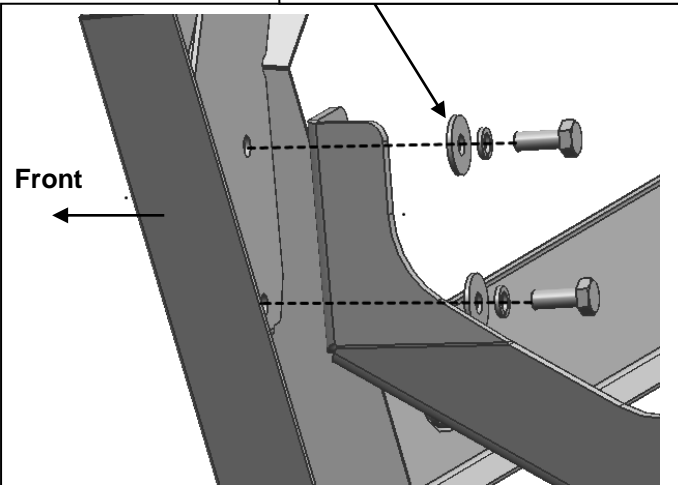
(Fig 6) Driver side light bar Bracket attached to the Bull Bar hardware



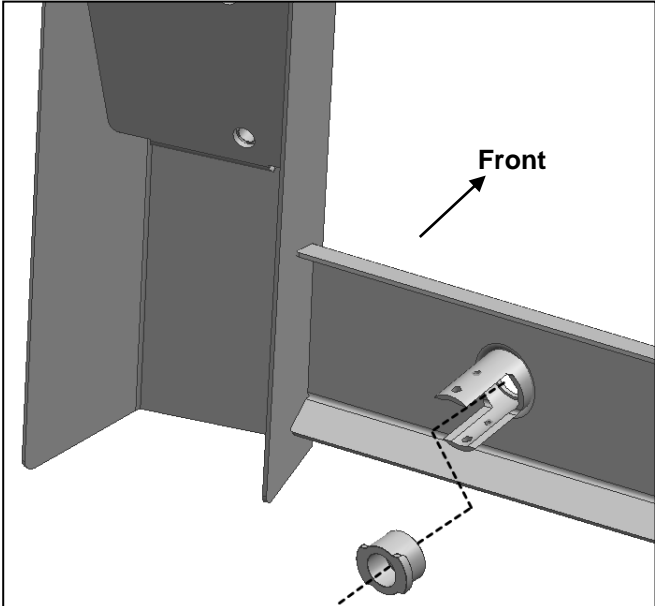
(1) 8mm x 16mm Hex Bolt
(2) 8mm Flat Washers
(1) 8mm Lock Washer
(1) 8mm Hex Nut

(Fig 7) Driver side light bar Bracket attached to Mesh hardware

(2) 10mm x 25mm Hex Bolts
(2) 10mm Lock Washers
(2) 10mm Flat Washers



(Fig 8) Attach Bull Bar Bracket to back of Bull Bar



(Fig 9) Attach Sensor Plug into Sensor Sleeve