



**BLACK HORSE
OFF ROAD®**

TEL: 1-866-XANATOS

INSTALLATION INSTRUCTIONS

MD1 FRONT BUMPER SKID PLATE

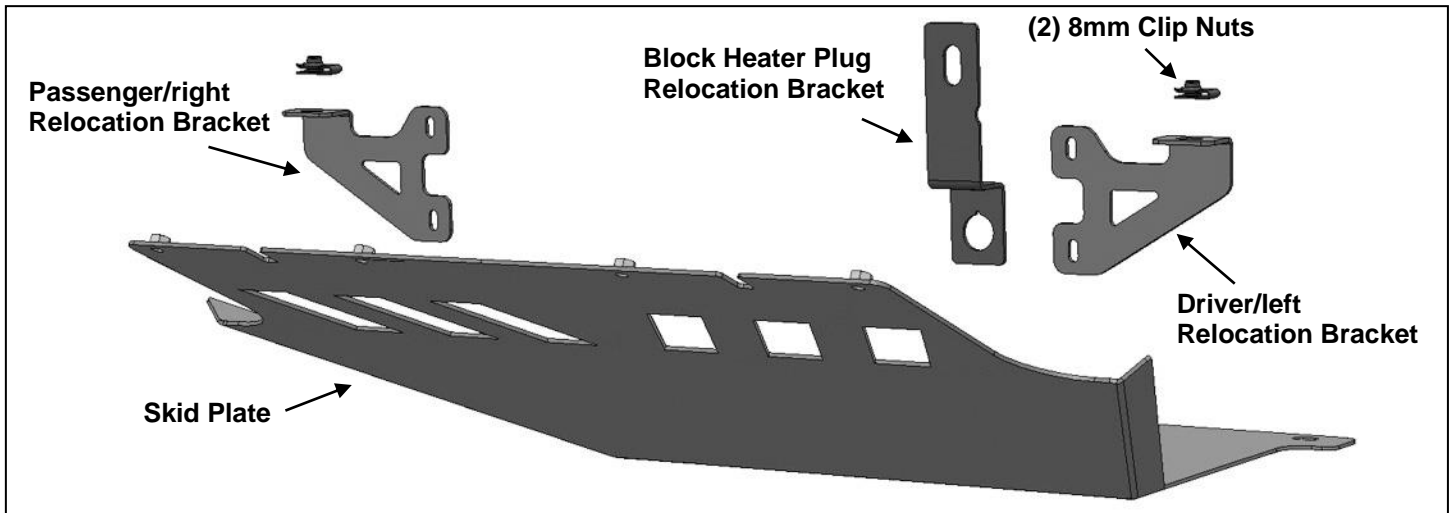
2022-24 CHEVY SILVERADO 1500

**(Incl. Diesel models with DEF tanks & Excl. 2022 1500 LTD and 22-24 models with
super cruise system)**

PART# AFB-SI23-SK

PARTS LIST:

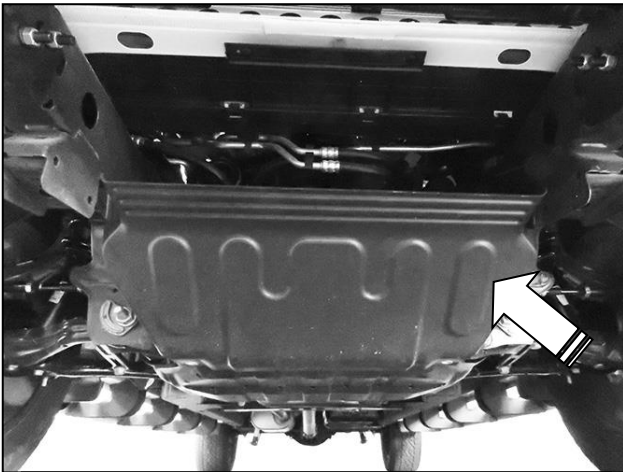
1	Skid Plate	4	8mm x 24mm x 2mm Flat Washers
1	Block Heater Plug Relocation Bracket	2	8mm x 16mm x 1.6mm Flat Washers
1	Driver/left Relocation Bracket	6	8mm Lock Washers
1	Passenger/right Relocation Bracket	4	6-1.0mm x 25mm Hex Bolts
2	8mm Clip Nuts	8	6mm x 18mm x 1.6mm Flat Washers
4	8-1.25mm x 25mm Button Head Bolts	4	6mm Nylon Lock Nuts
2	8-1.25mm x 25mm Hex Bolts	1	5mm Hex Wrench



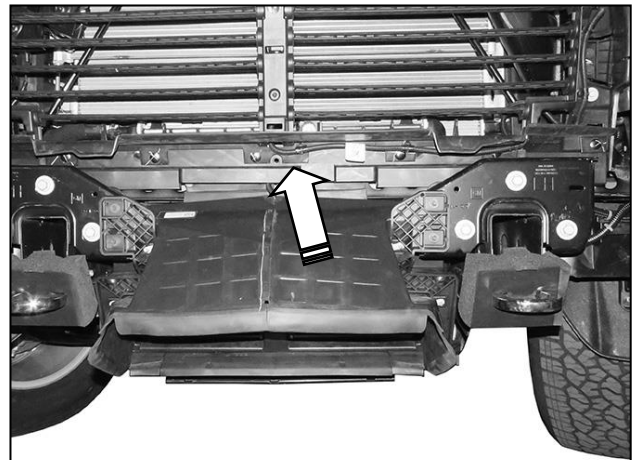
PROCEDURE: REMOVE CONTENTS FROM BOX. VERIFY ALL PARTS ARE PRESENT. READ INSTRUCTIONS CAREFULLY BEFORE STARTING INSTALLATION. ASSISTANCE IS RECOMMENDED.

1. Once factory bumper has been removed, remove forward factory splash guard, **(Figure 1)**.
NOTE: Splash guard will not be reinstalled.
2. Remove the plastic shroud from the shutter assembly, **(Figure 2)**. **NOTE:** Clips attaching top of shroud are partially hidden behind cover.
3. Unplug and remove the shutter assembly, **(Figure 3)**. Remove the shutter mechanism from the outer housing, **(Figure 4)**.
4. Insert (1) 8mm Clip Nut into the triangle hole in the bottom at the end of the driver/left frame rail, **(Figure 5)**. Line up the Nut on the Clip with the round hole directly behind the triangle hole.
5. Select the driver/left Relocation Bracket, **(Figure 6)**. Attach the Bracket to the Clip Nut with (1) 8mm x 25mm Hex Bolt, (1) 8mm Lock Washer and (1) 8mm x 16mm Small Flat Washer. Repeat these **Steps** to attach the passenger/right Relocation Bracket.
6. Attach the shutter assembly to the back of the Relocation Brackets with the included (4) 6mm x 25mm Hex Bolts, (8) 6mm Flat Washers and (4) 6mm Nylon Lock Nuts, **(Figure 7)**. Fully tighten hardware at this time. Plug shutter mechanism into wire harness.
7. Continue with Bumper installation.
8. Select the block heater plug, **(Figure 8)**. Remove the outer factory bumper bolt from the driver/left side of the Bumper. Select the Plug Relocation Bracket, **(Figure 9)**. Reuse the bumper bolt to attach the Bracket to the Bumper. Plug the harness into the block heater plug.
9. Once Bumper has been fully aligned to vehicle, Tighten Bumper to frame hardware.
10. Select the Skid Plate. Attach front of Skid Plate to back of Bumper with the included (4) 8mm x 25mm Button Head Bolts, (4) 8mm Lock Washers and (4) 8mm x 24mm STD Flat Washers, **(Figure 10)**. Reuse the (2) factory hex bolts from the plastic splash guard to attach the rear of the Skid Plate to the crossmember.
11. Do periodic inspections to the installation to make sure that all hardware is secure and tight.

To protect your investment, Do not use any type of polish or wax that may contain abrasives that could damage the finish. Mild soap may be used to clean the Relocation Bracket Kit and Skid Plate assembly.



(Fig 1) Remove forward splash guard (arrow)



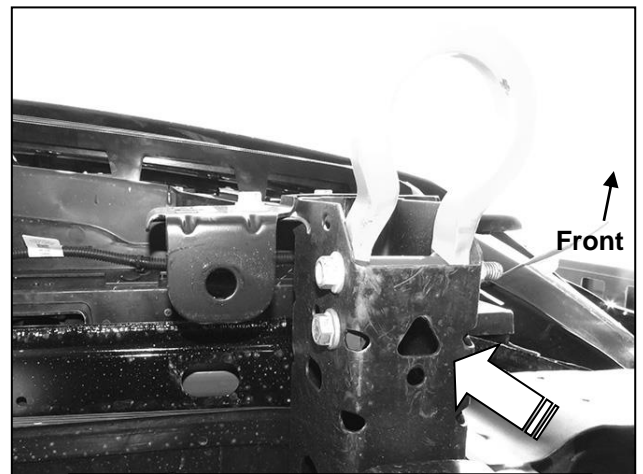
(Fig 2) Remove the shroud from in front of shutter assembly (arrow) NOTE: The pins are located under the plastic cover (arrow).



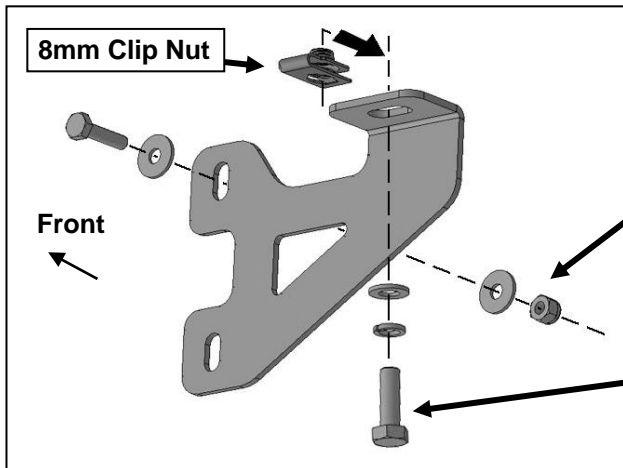
(Fig 3) Remove the bolts and pins attaching the shroud to the vehicle (arrow). Unplug and remove shutter assembly



(Fig 4) Remove the shutter assembly from the outer housing



(Fig 5) Slide 8mm Clip Nut into triangle hole and over round hole (arrow)



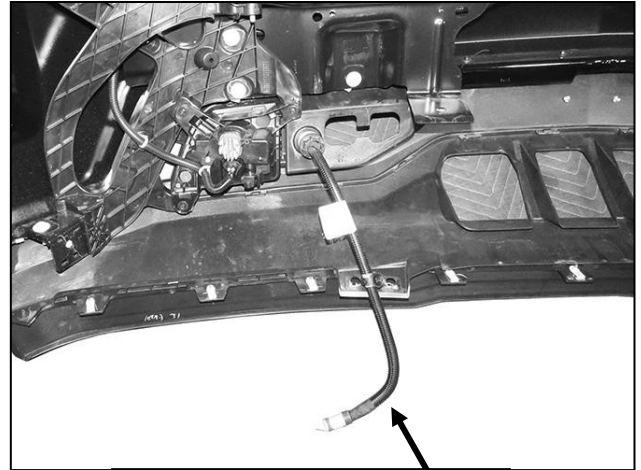
**6mm x 25mm Hex Bolt
(2) 6mm Flat Washers
6mm Nylon Lock Nut**

**8mm x 25mm Hex Bolt
8mm Lock Washer
8mm x 16mm Small Flat Washer**

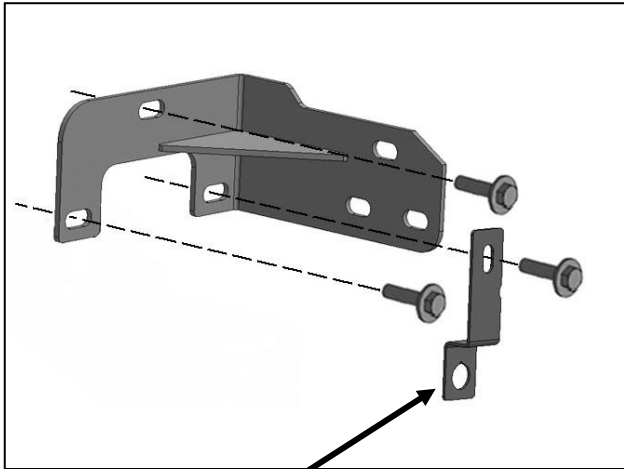
(Fig 6) Attach driver/left shutter Relocation Bracket to 8mm Clip Nut in bottom of frame. Attach shutter assembly to top mounting holes



(Fig 7) Attach shutter assembly to back of Relocation Brackets



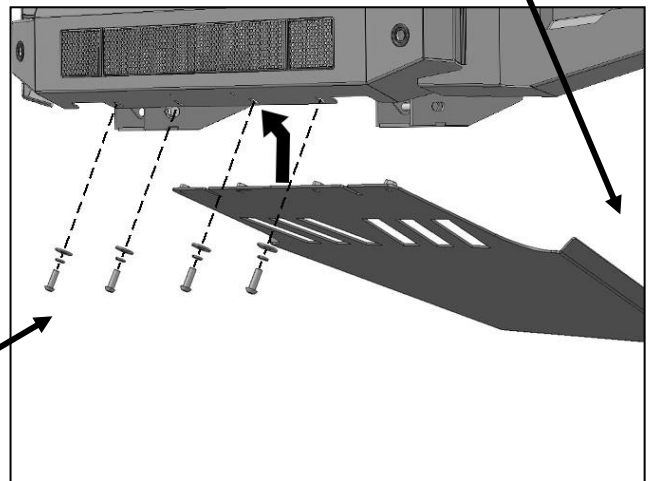
(Fig 8) Remove plug for block heater from factory bumper



(Fig 9) Reuse factory bumper bracket bolt to attach block heater plug Relocation Bracket to front of Mounting Bracket. Attach Relocation Bracket to driver/left outer mounting bolt

- (4) 8mm x 25mm Button Head Bolts
- (4) 8mm Lock Washers
- (4) 8mm x 24mm STD Flat Washers

Reuse factory hex bolts to attach rear mounts on Skid Plate to bottom of crossmember



(Fig 10) Attach Skid Plate to back of Bumper