



**BLACK HORSE  
OFF ROAD®**

**TEL: 1-866-XANATOS**

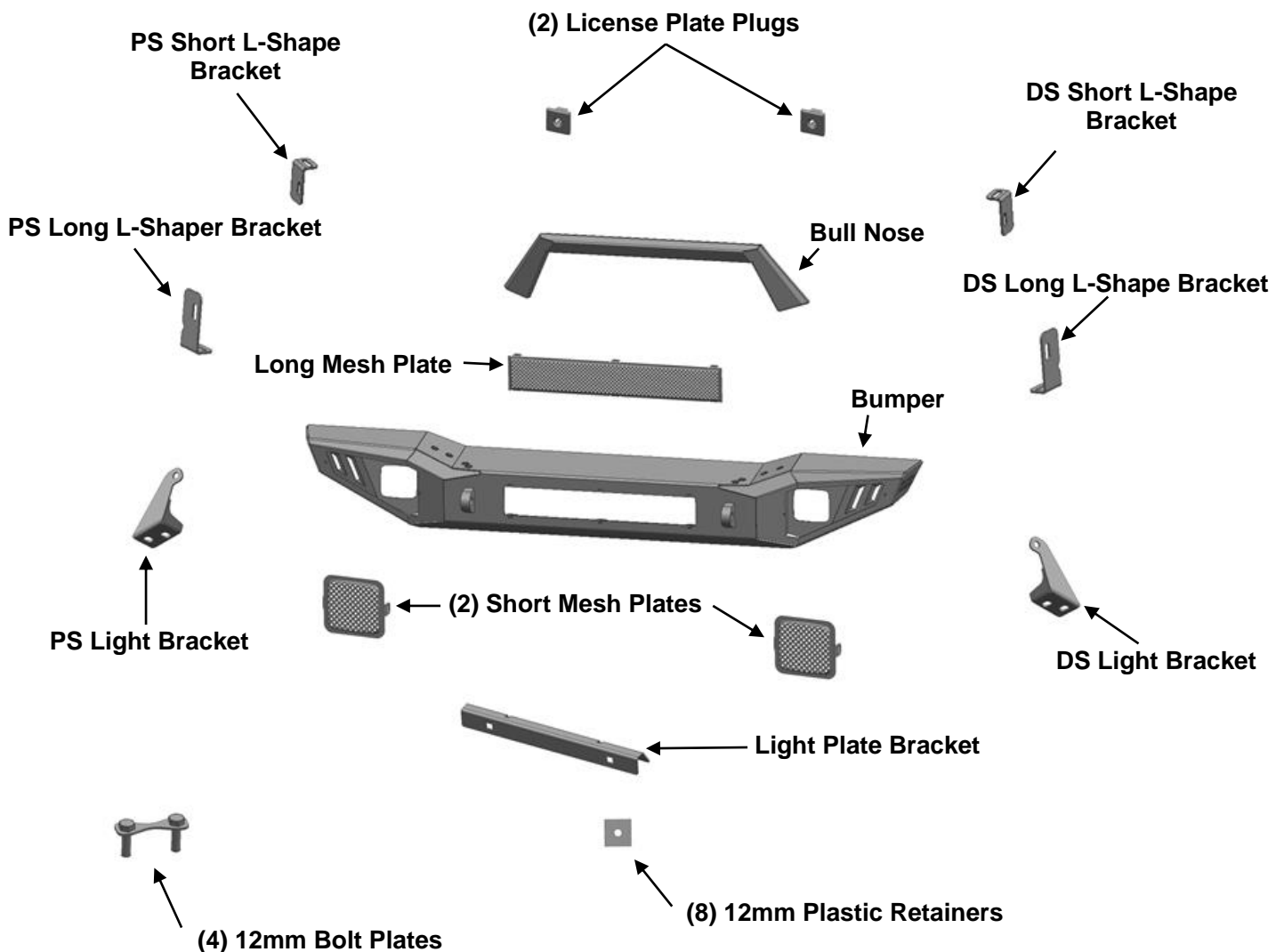
## **INSTALLATION INSTRUCTIONS**

**ARMOUR FRONT BUMPER  
WITH LED SLOT AND BULL NOSE FOR  
18-24 JEEP WRANGLER JL**

**(Incl. 2020-24 diesel engine & 21-24 4xe/ Excl. 20-24 Rubicon Trim)  
20-24 JEEP GLADIATOR (Excl. Rubicon Trim) NO WINCH SLOT  
PART# AFB-WR20**

**PARTS LIST:**

1	Bumper	1	Allen Wrench S=4
1	Bull Nose	28	8mm x 24mm OD x 2mm Flat Washers
1	Driver/Left Side L-Shape Bracket	12	8mm Hex Nuts
1	Passenger/Right Side L-Shape Bracket	16	8mm Lock Washers
2	Short Mesh Plates	8	8mm x 25mm Button Head Allen Bolts
1	Long Mesh Plate	4	8mm x 25mm Hex Bolts
1	Driver/Left Side Long L-Shape Bracket	4	8mm x 16mm Hex Bolts
1	Passenger/Right Side Long L-Shape Bracket	8	12mm Hex Nuts
1	Diver/Left Side Light Bracket	8	12mm x 37mm OD x 3mm Flat Washers
1	Passenger/Right Side Light Bracket	8	12mm Lock Washers
1	License Plate Bracket	10	6mm Flange Nuts
2	License Plate Plugs	10	6mm x 20mm Combo Bolts
4	12mm Bolt Plates	4	6mm x 18mm OD x 1.6mm Flat Washers
8	12mm Plastic Retainers	2	6mm x 20mm Button Head Allen Bolts
1	Allen Wrench S=5	2	6mm Nylon Lock Nuts



**PROCEDURE:**

**REMOVE CONTENTS FROM BOX. VERIFY ALL PARTS ARE PRESENT. READ INSTRUCTIONS CAREFULLY BEFORE STARTING INSTALLATION. ASSISTANCE IS RECOMMENDED.**

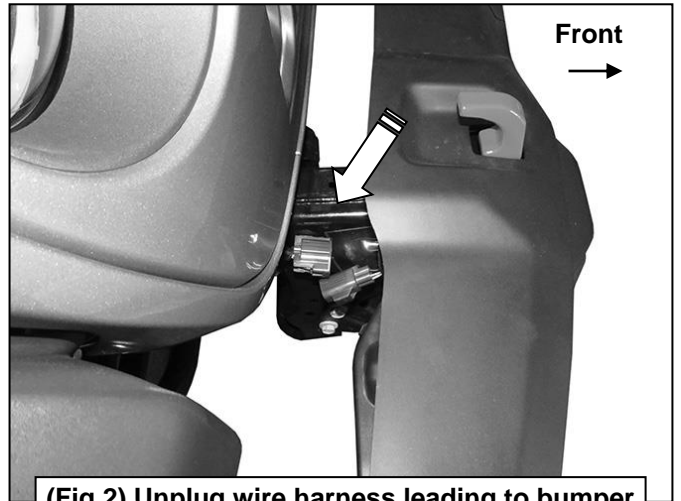
1. Start under the front bumper of the vehicle and remove the plastic lower splash guard or steel skid plate, **(Figure 1)**. **NOTE:** Splash guard or skid plate cannot be reinstalled.
2. Unplug the fog light wiring harness leading to the bumper, **(Figure 2)**.
3. With assistance, remove the front bumper, **(Figures 3—5)**. Move the bumper to a stable surface.
4. Remove the passenger and driver side inner bumper support brackets from the side of the frame, **(Figures 4 & 5)**. **IMPORTANT:** Only remove the inner support brackets, leave the outer brackets in place. The inner support brackets will not be reinstalled. **NOTE:** On models with electric sway bar disconnect, it may be easier to temporarily remove the sway bar to access the Bumper and winch hardware from below.
5. Remove (4) Rubber Plugs of the Bumper **(Figure 5)**. For each side, attach the Bull Nose to the Bumper with (2) 8mm x 25mm Hex Bolts, (4) 8mm x 24mm OD x 2mm Flat Washers, (2) 8mm Lock Washers and (2) 8mm Hex Nuts.**(Figure 6)**
6. Attach each Mesh Plate to the Bumper with: (2) 6mm x 20mm Combo Bolts and (2) 6mm Flange Nuts **(Figure 7)**.
7. Select (1) License Plate, install the License Plate to the Bumper with: (2) 6mm x 20mm Button Head Allen Bolts, (4) 6mm Flat Washers and (2) 6mm Nylon Lock Nuts **(Figure 8)**.
8. LED Light Bar Installation:  
**With SHORT LED Light Bar (Figure 9):**  
(1) DS L-Shape Bracket  
(1) PS L-Shape Bracket  
**With LONG LED Light Bar (Figure 10):**  
(1) DS Light Bracket  
(1) PS Light Bracket
9. For Center Section Installation:  
Long Mesh Plate: **Figure 11 . (Notice the difference between L-Shape Brackets)**  
LED Light Bar: **Figure 13.**
10. Select (2) 14mm Bolt Plates, insert the bolt plates into the bumper **(Figure 11)**, use the 14mm Plastic Retainers to hold the Bolt Plates.
11. Attach the Bumper to the vehicle with (Each Side): (2) 14mm Bolt Plate, (4) 14mm Plastic Retainers, (2) 14mm Flat Washers, (2) 14mm Lock Washers and (2) 14mm Hex Nuts **(Figure 12)**.
12. Line up the Bumper to the vehicle and make sure all hardware were tightened.
13. Reinstall electric sway bar if equipped and previously removed.
14. Do periodic inspections of the installation to make sure that all hardware is secure and tight.

**To protect your investment,** Do not use any type of polish or wax that may contain abrasives that could damage the finish. Mild soap may be used to clean the Front Bumper.

**Installation Pictured**



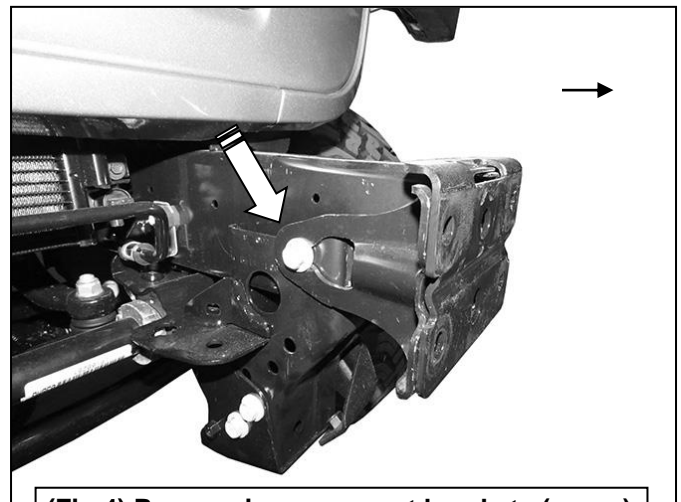
**(Fig 1) Remove plastic splash guard if equipped**



**(Fig 2) Unplug wire harness leading to bumper**



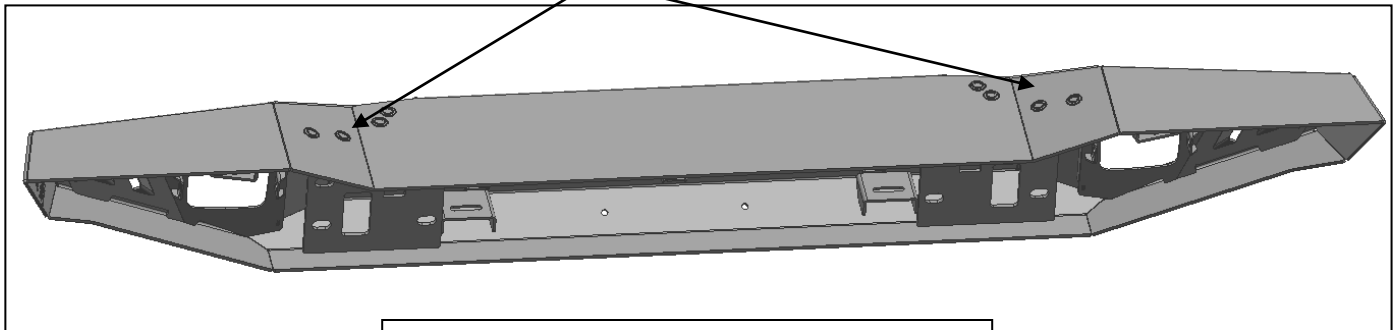
**(Fig 3) Models with plastic splash guard, remove frame bracket (arrow)**



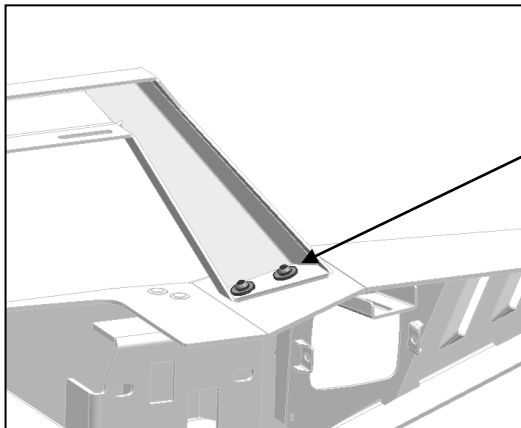
**(Fig 4) Remove inner support brackets (arrow)**

### Installation Pictured

Rubber Plugs



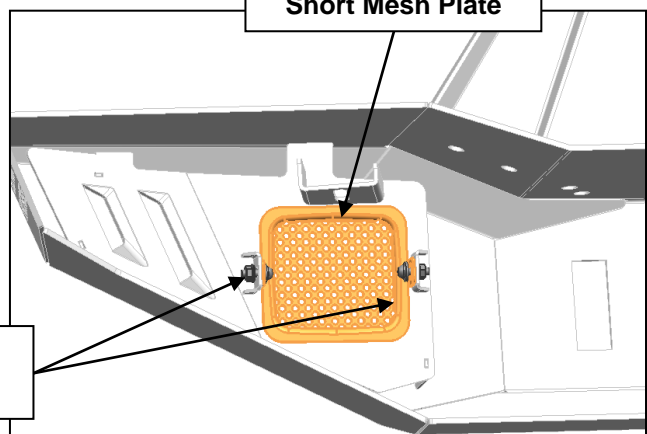
(Fig 5) Remove Rubber Plugs



- (2) 8mm x 25mm Hex Bolts
- (4) 8mm x 24mm OD x 2mm Flat Washers
- (2) 8mm Lock Washers
- (2) 8mm Hex Nuts

(Fig 6) Install Bull Nose

Short Mesh Plate

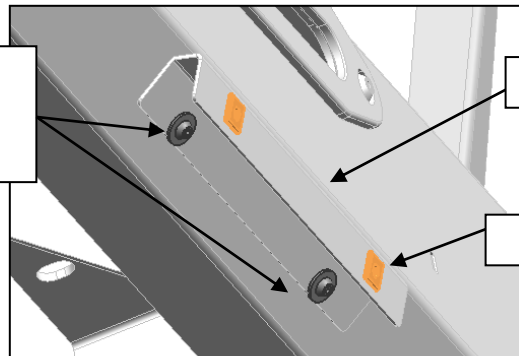


- (2) 6mm x 20mm Combo Bolts
- (2) 6mm Flange Nuts

(Fig 7) Install Mesh Plate

### Installation Pictured

- (2) 6mm x 20mm Button Head Allen Bolts
- (4) 6mm Flat Washers
- (2) 6mm Nylon Lock Nuts

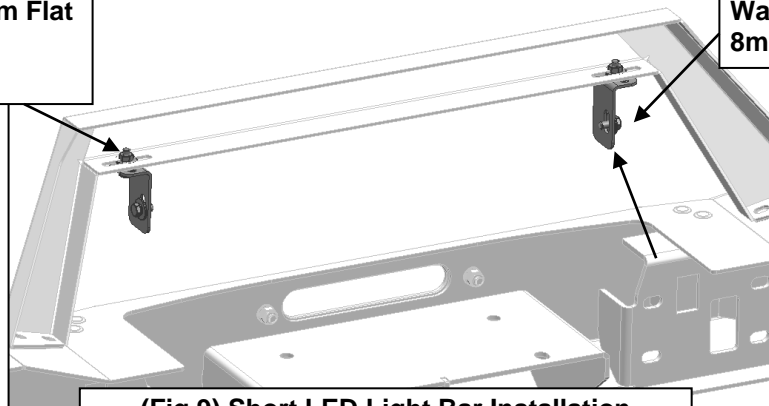


License Plate

(2) License Plate Plugs

(Fig 8) Install the License Plate

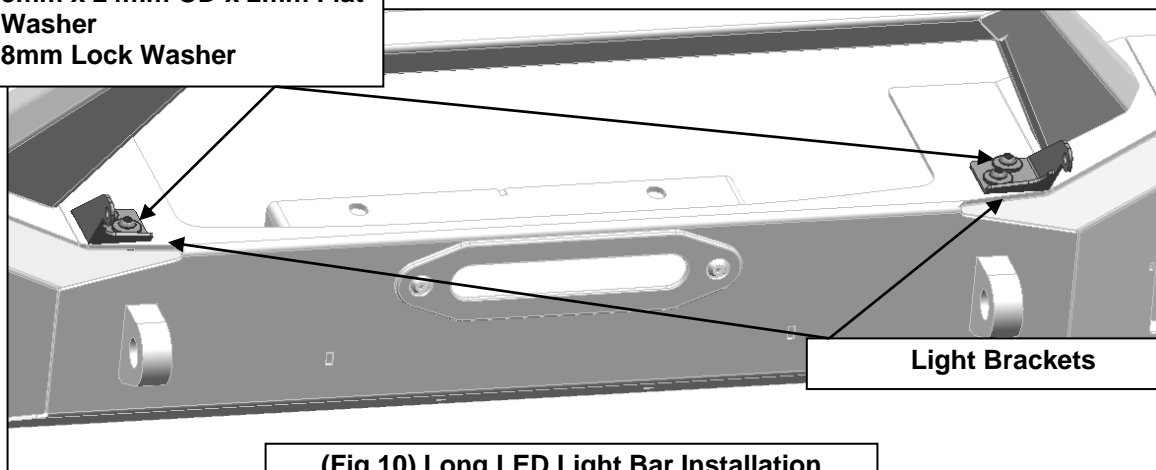
- 8mm x 25mm Hex Bolt
- 8mm Hex Nut
- 8mm x 24mm OD x 2mm Flat Washer
- 8mm Lock Washer



- 8mm x 16mm Hex Bolt
- 8mm x 24mm OD x 2mm Flat Washer
- 8mm Lock Washer

(Fig 9) Short LED Light Bar Installation  
For example only

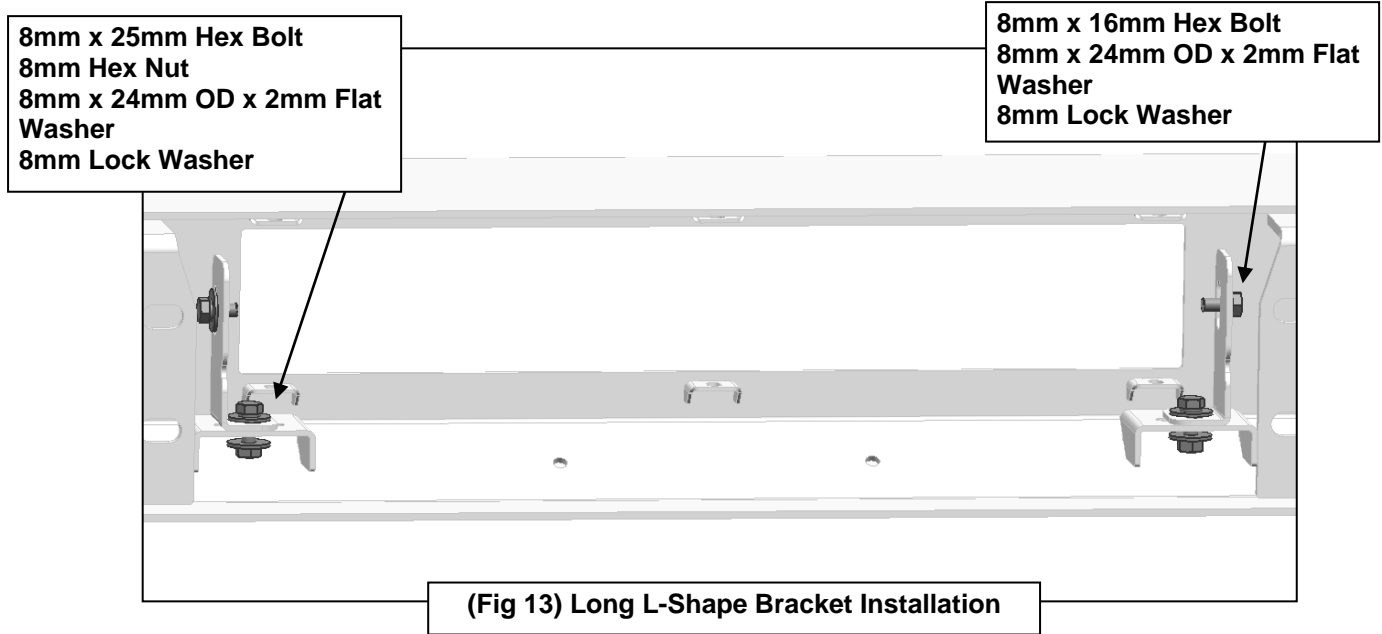
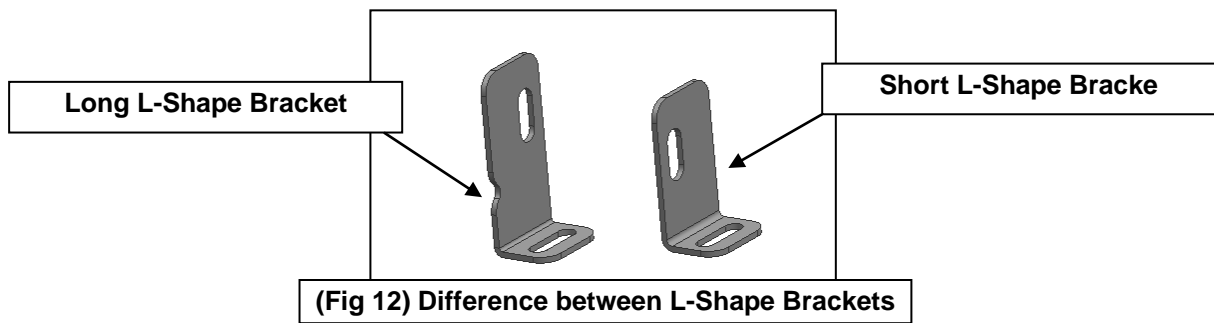
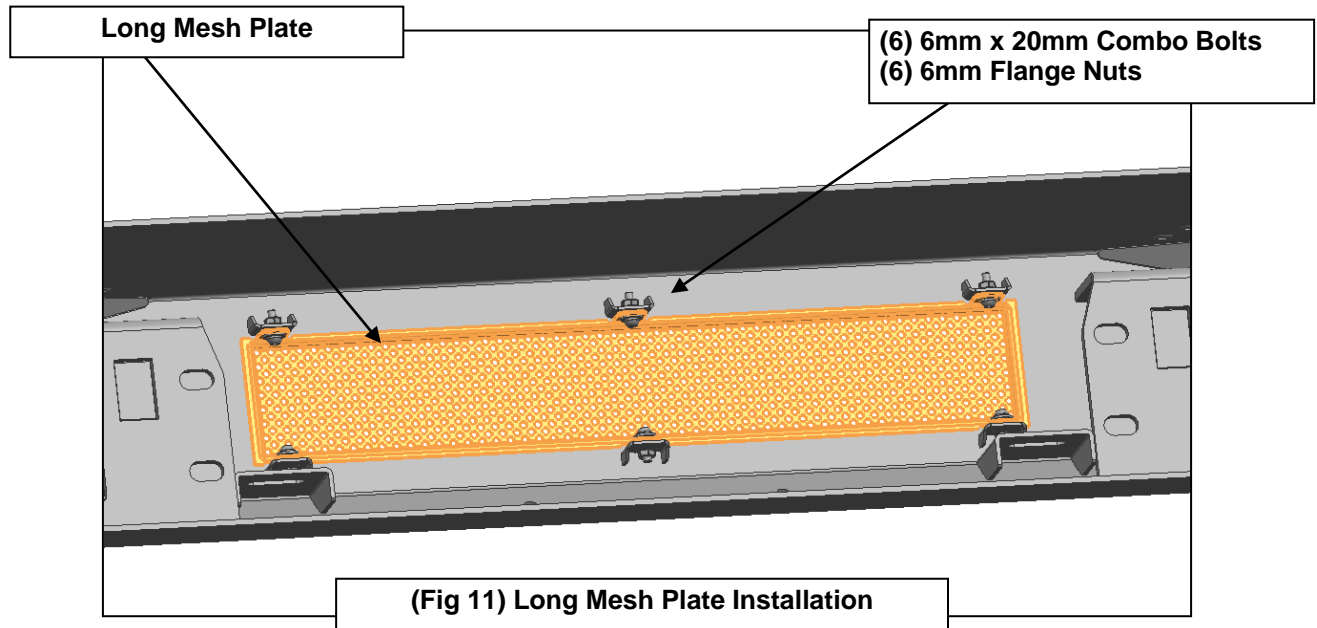
- 8mm x 25mm Button Head Allen Bolts
- 8mm Hex Nut
- 8mm x 24mm OD x 2mm Flat Washer
- 8mm Lock Washer



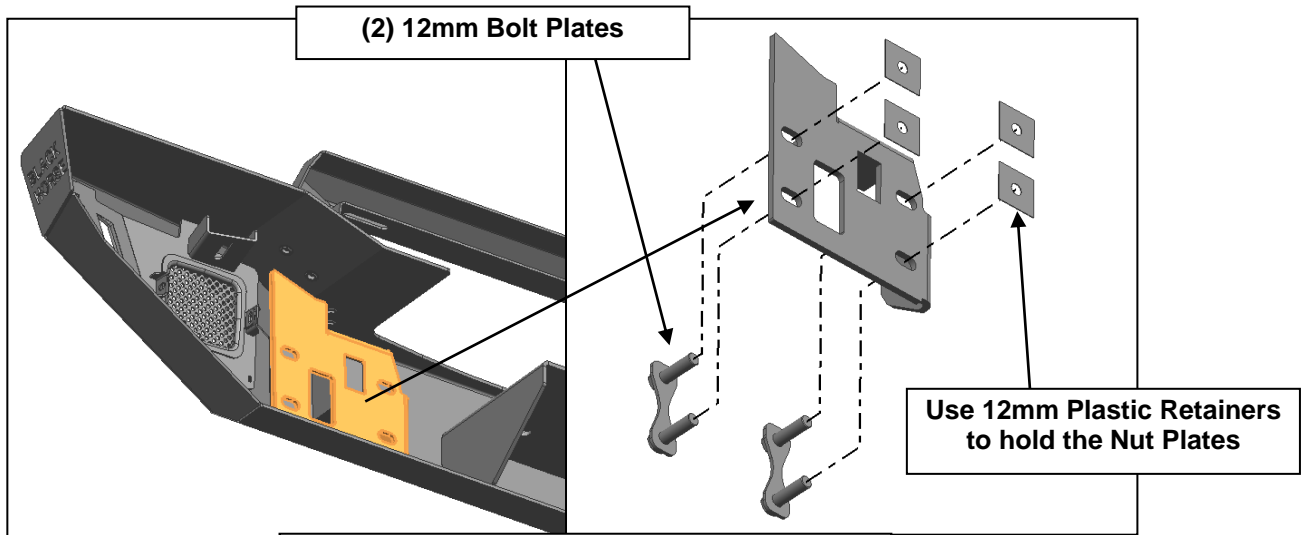
Light Brackets

(Fig 10) Long LED Light Bar Installation  
For example only

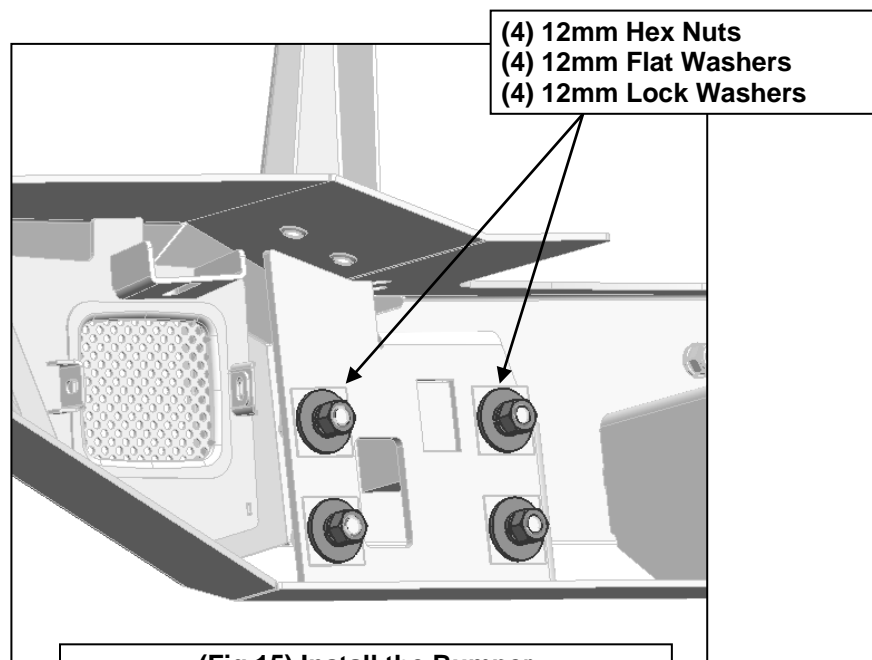
### Installation Pictured



### Installation Pictured



(Fig 14) Place the 12mm Bolt Plates  
For example only



(Fig 15) Install the Bumper  
For example only