



**BLACK HORSE  
OFF ROAD®**

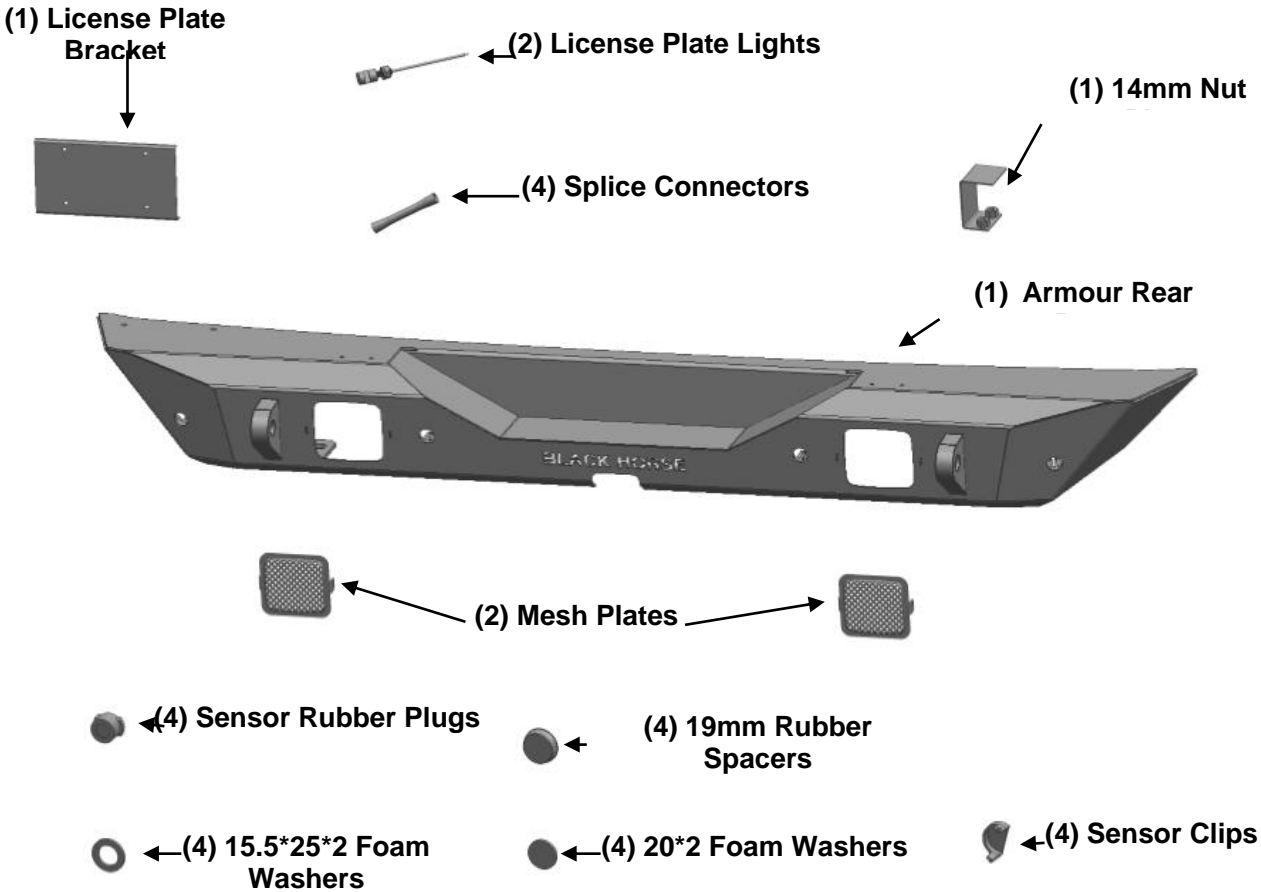
**TEL: 1-866-XANATOS**

## **INSTALLATION INSTRUCTIONS**

**ARMOUR REAR BUMPER FOR  
18-24 JEEP WRANGLER JL (Incl. 21-24 4xe)  
PART# ARB-JL18**

**PARTS LIST:**

1	Armour Rear Bumper	8	6mm Hex Nuts
1	14mm Nut Plate	16	6mm x 12mm x 1.6mm Flat Washer
1	License Plate Bracket	8	6mm Lock Washers
4	Splice Connectors	4	6mm x 15mm Button Head Allen Bolts
2	Mesh Plates	8	4mm x 10mm Button Head Allen Bolts
2	License Plate Lights	1	Allen Wrench S=2.5
4	20*2 Foam Washers	1	Allen Wrench S=4
4	Rubber Sensor Plugs	4	6mm x 20mm Button Head Allen Bolts
4	15.5*25*2 Foam Washers	2	14mm x 28mm x 2.5mm Flat Washers
4	Sensor Clips	2	14mm Lock Washers
4	19mm Rubber Spacers	2	14mm x 55mm x Hex Bolts



**PROCEDURE:**

**REMOVE CONTENTS FROM BOX. VERIFY ALL PARTS ARE PRESENT. READ INSTRUCTIONS CAREFULLY BEFORE STARTING INSTALLATION. ASSISTANCE IS RECOMMENDED.**

**WARNING: ALLOW TIME FOR THE MUFFLER TO COMPLETELY COOL BEFORE REMOVING REAR BUMPER.**

1. Start installation from under the driver/left side of the rear bumper. Remove the plastic cover from the back of the rear wheel opening, **(Figure 1)**. Locate and remove the (2) hex bolts attaching the outer bracket running from the side of the frame to the outer end of the bumper, **(Figure 2)**. Remove the (2) hex bolts attaching the bottom of the bumper to the rear crossmember if equipped, **(Figure 3)**. Repeat this **Step** on the passenger/right side of the vehicle.
2. Unplug the wiring harness leading to the rear bumper.
3. With assistance, remove the (4) hex nuts attaching the bumper to the inner bumper brackets, **(Figure 4)**. Slide bumper off of the inner and outer bumper brackets.
4. Remove the driver/left outer bumper bracket attached to the side of the frame, **(Figure 4)**. Next, remove the (2) hex bolts attaching the tow hook to the side of the frame and remove the inner bumper bracket, **(Figure 5)**. **NOTE:** It may be necessary to loosen the (2) bolts attaching the tow hook to the bottom of the frame to remove the bumper bracket. Do not remove tow hook.
5. Repeat **Step 4** to remove the Passenger/right side bumper brackets.
6. Insert the Double Nut Plate into the open end of the frame. Line up the Nut Plate with the holes in the bottom of the frame, **(Figure 6)**.
7. Determine if the vehicle is equipped with bumper mounted sensors. **NOTE:** Depending on tow package, it may be necessary or easier to install sensors, (if equipped), and harness before installing the Bumper.

**Models without bumper sensors:**

- a. Select the included (4) Rubber Plugs, **(Figure 7)**.
- b. From behind bumper, push plugs into sensor mounting sleeves, **(Figure 7)**. Screws have been provided to lock the plugs into the sleeves. Use is optional.

**Models with bumper mounted sensors:**

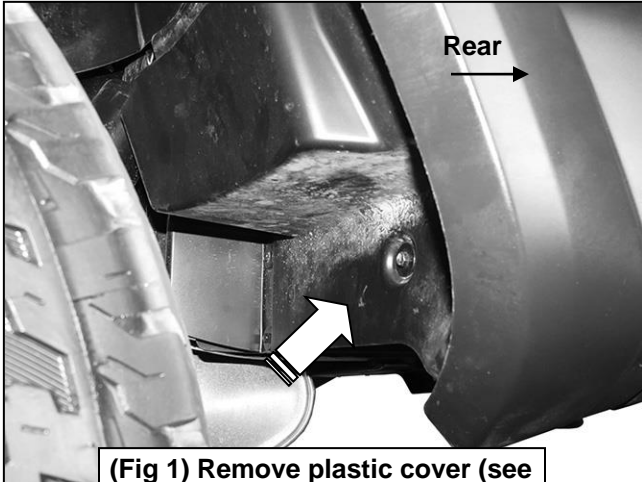
- a. Disassemble the factory bumper to remove the wiring harness and sensors.
- b. Select (1) sensor. Remove the seal from the end of the sensor. Slide the included flat Sensor Seal Washer over front of the sensor, **(Figure 8)**.
- c. Insert the sensor with Seal into sensor mount, **(Figure 8)**.
- d. Place Foam Spacer over end of the sensor. Push Sensor Retaining Clip into sensor mount and lock into mounting holes, **(Figure 8)**.
- e. Repeat previous Steps to install remaining sensors.
- f. Install wiring harness for sensors and plug harness into sensors.
- g. **Optional:** Secure each sensor to the socket with (2) 4mm x 10mm Button Head Screws, **(Figure 7)**. **IMPORTANT:** Sensors fit snug in sockets. The 4mm Screws are used to apply slight pressure to lock the sensors in place. Tighten both screws evenly until they touch the sensor body only. Do not over tighten screws or damage to sensors will result.
8. Attach the Mesh Plate to the Bumper with: (2) 6mm x 20mm Button Head Allen Bolt, (4) 6mm Flat Washers, (2) 6mm Hex Nut and (2) 6mm Lock Washer **(Figure 9)**.
9. Attach the License Plate Bracket to the Bumper with: (2) 6mm x 15mm Button Head Allen Bolts, (4) 6mm Flat Washers, (2) 6mm Hex Nuts and (2) 6mm Lock Washers **(Figure 10)**.
10. With assistance, carefully position the Rear Bumper up to the outside of the frame. Attach the Bumper to the Nut Plate in the passenger/right frame end with the included (2) 14mm Fine Thread Hex Bolts, (2) 14mm Lock Washers and (2) 14mm Flat Washers, **(Figure 11)**. Reuse

the factory hex bolts to attach the Bumper to the threaded inserts in the bottom and sides of the frame on both ends of the Bumper, (**Figures 12—14**). Do not tighten hardware at this time.

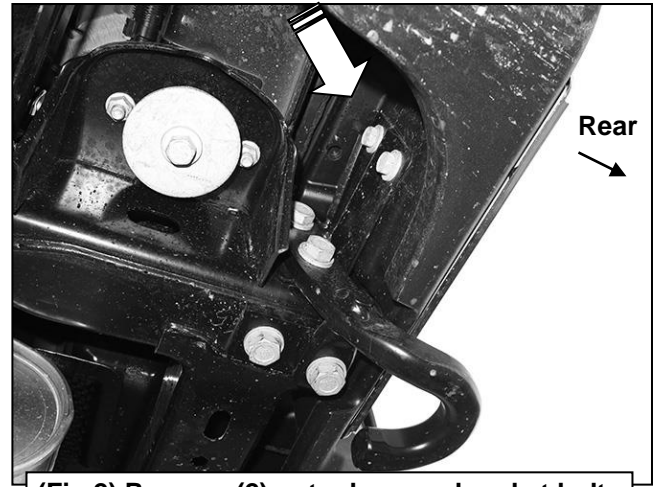
- 11.** Level and adjust the Rear Bumper and tighten all hardware at this time.
- 12.** Select the (2) LED License Plate Lights. Attach the Lights and license plate to the top (2) holes in the license plate and Bracket, (**Figure 15**). Attach the wiring on the License Plate Lights to the wire harness for the factory license plate light.
- 13.** On models with sensors, plug-in the bumper wiring harness to the main harness.
- 14.** Do periodic inspections to the installation to make sure that all hardware is secure and tight.

**To protect your investment**, Do not use any type of polish or wax that may contain abrasives that could damage the finish. Mild soap may be used to clean Bumper.

### Driver/left Side Installation Pictured



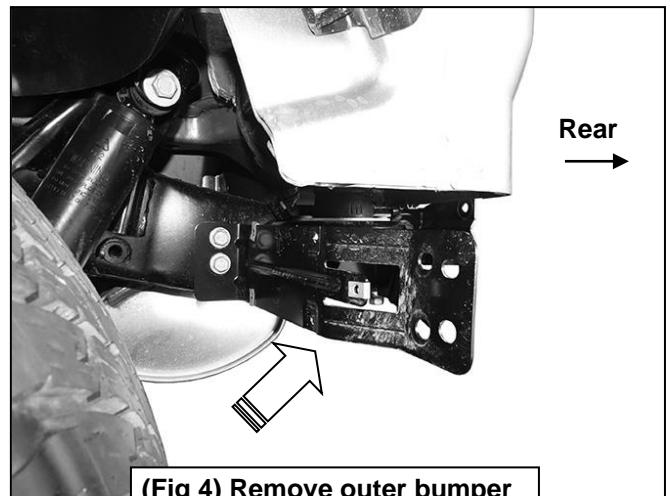
(Fig 1) Remove plastic cover (see arrow-driver/left side pictured)



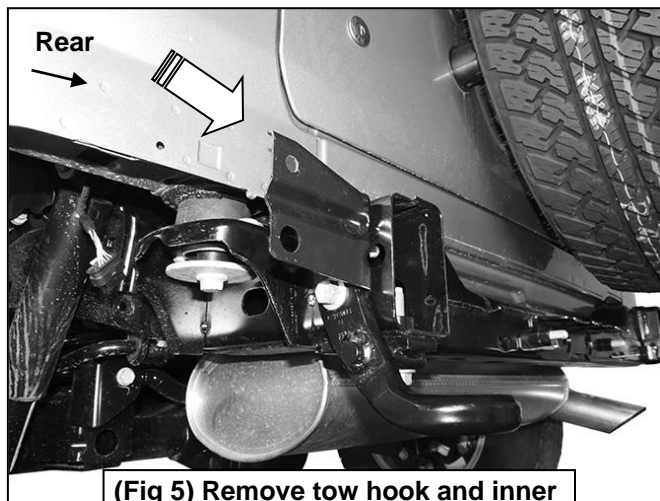
(Fig 2) Remove (2) outer bumper bracket bolts



(Fig 3) Remove (2) hex bolts attaching bottom of bumper to frame cross member

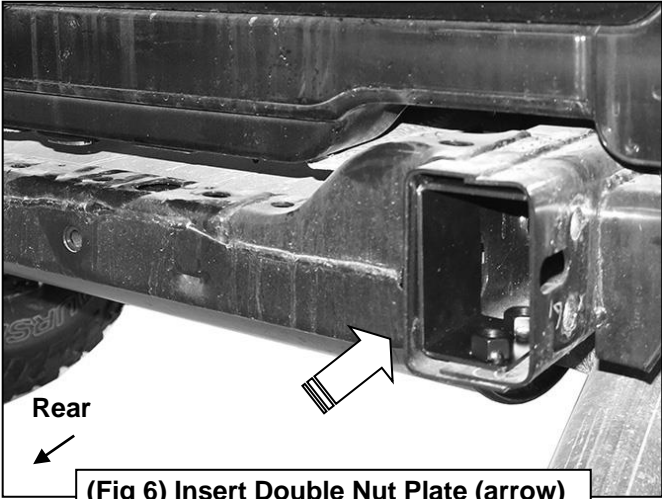


(Fig 4) Remove outer bumper bracket from side of frame

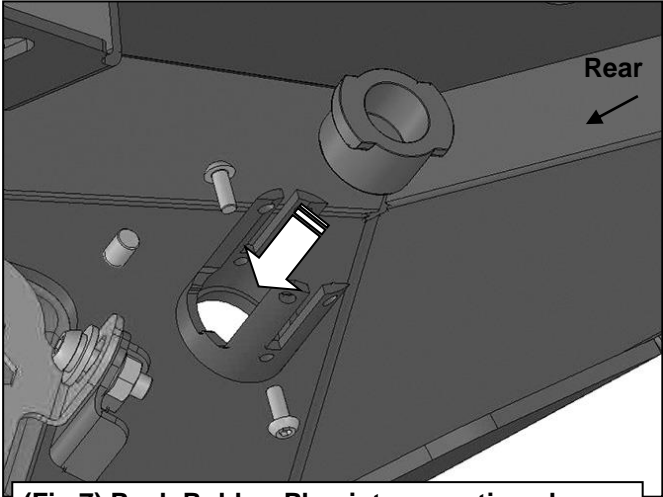


(Fig 5) Remove tow hook and inner bumper bracket from side of frame

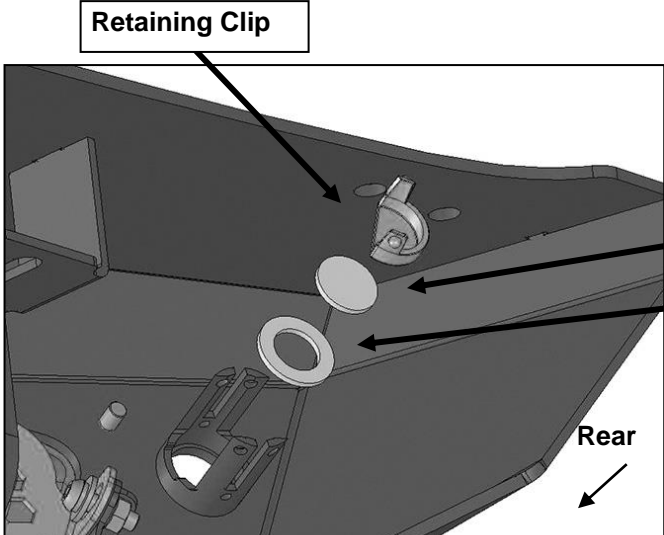
**Driver Side Installation Pictured**



**(Fig 6) Insert Double Nut Plate (arrow) into passenger/right end of frame**



**(Fig 7) Push Rubber Plug into mounting sleeve For example only**



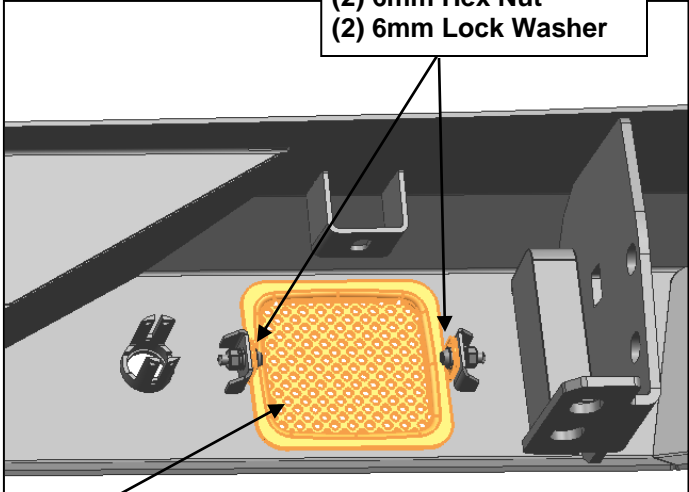
**Retaining Clip**

**Foam Spacer Washer**

**Sealing Washer**

- (2) 6mm x 20mm Button Head Allen Bolt**
- (4) 6mm Flat Washers**
- (2) 6mm Hex Nut**
- (2) 6mm Lock Washer**

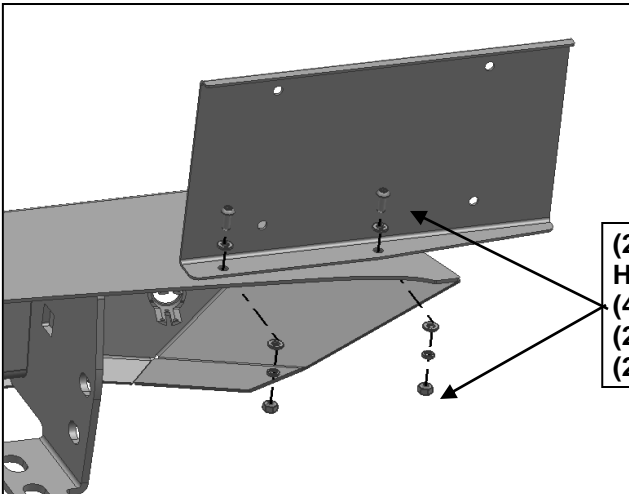
**(Fig 8) Push sensor with Sealing Washer into sleeve For example only**



**Mesh Plate**

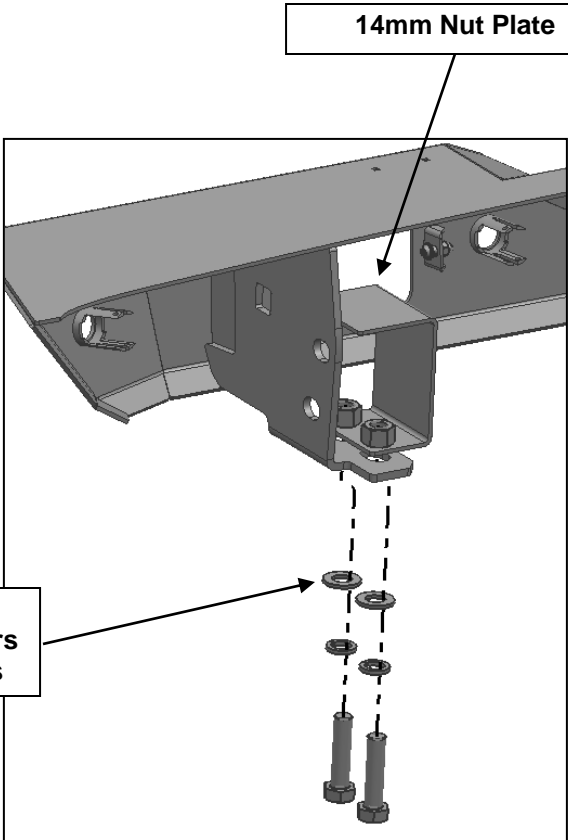
**(Fig 9) Install the Mesh Plate to the Bumper**

**Driver Side Installation Pictured**



- (2) 6mm x 15mm Button Head Allen Bolts
- (4) 6mm Flat Washers
- (2) 6mm Hex Nuts
- (2) 6mm Lock Washers

**(Fig 10) Install License Plate Bracket to the Bumper**

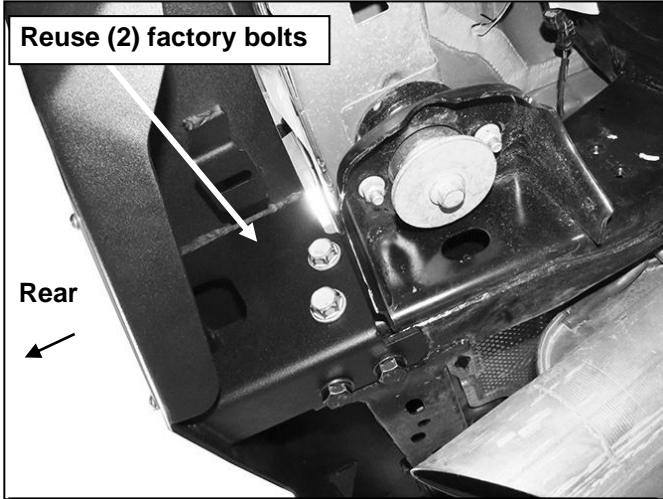


**14mm Nut Plate**

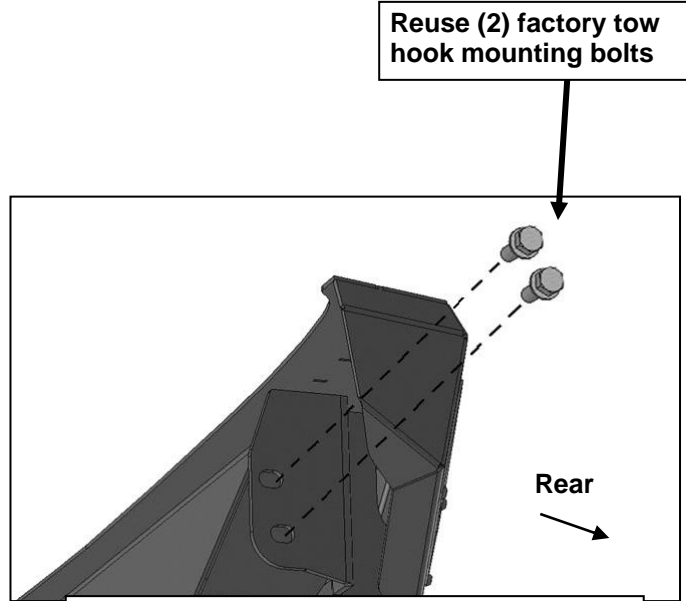
- (2) 14mm Hex Bolts
- (2) 14mm Lock Washers
- (2) 14mm Flat Washers

**(Fig 11) Attach the Bumper to the Vehicle**

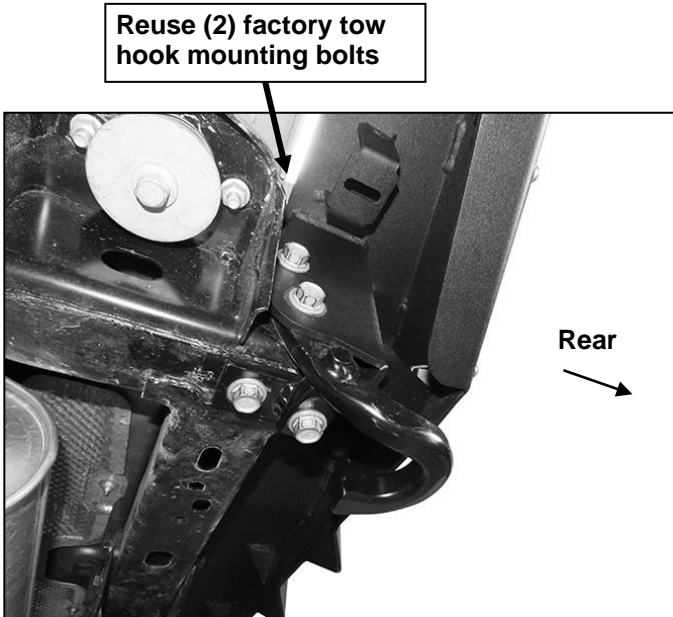
### Driver Side Installation Pictured



(Fig 12) Passenger/right side of Bumper installed



(Fig 13) Driver/left side of Bumper installed  
For example only



(Fig 14) Driver/left side of Bumper installed



(Fig 15) License Plate Lights