



**BLACK HORSE
OFF ROAD®**

TEL: 1-866-XANATOS

INSTALLATION INSTRUCTIONS

LD2 SENSOR RELOCATION KIT

14-15 CHEVY SILVERADO 1500

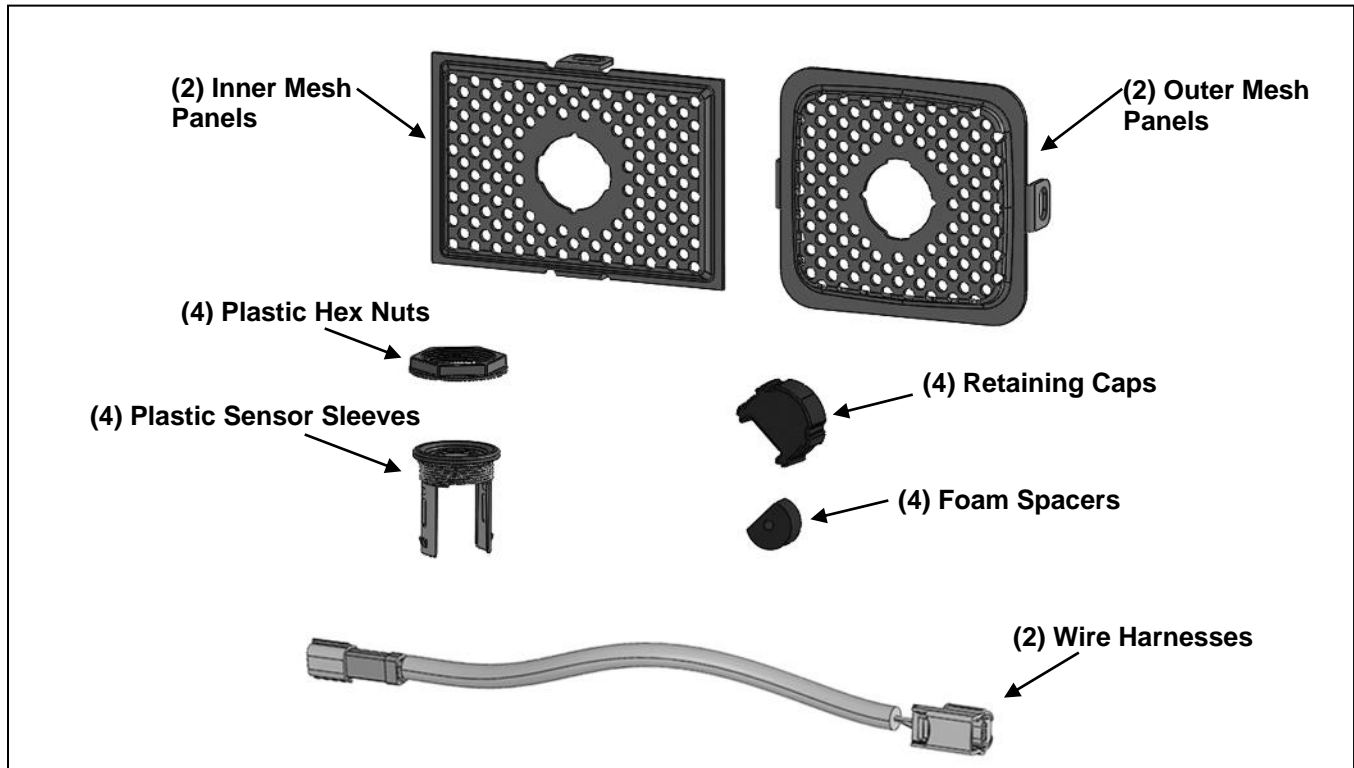
16-18 CHEVY SILVERADO 1500 (Incl. 19-21 Silverado 1500 LD),

19-23 FORD RANGER

PART# FBSG14

PARTS LIST:

2	Inner Mesh Panels	1	Sensor Cover Kit
2	Outer Mesh Panels	8	6mm x 20mm Button head Combo Bolts
4	Plastic Sensor Sleeves	8	6mm Flange Nuts
4	20mm x 10mm Foam Spacers	8	4mm Self Tapping Screws
4	Plastic Retaining Cap	2	Wire Harnesses
4	Plastic Hex Nuts	1	4mm Hex Wrench

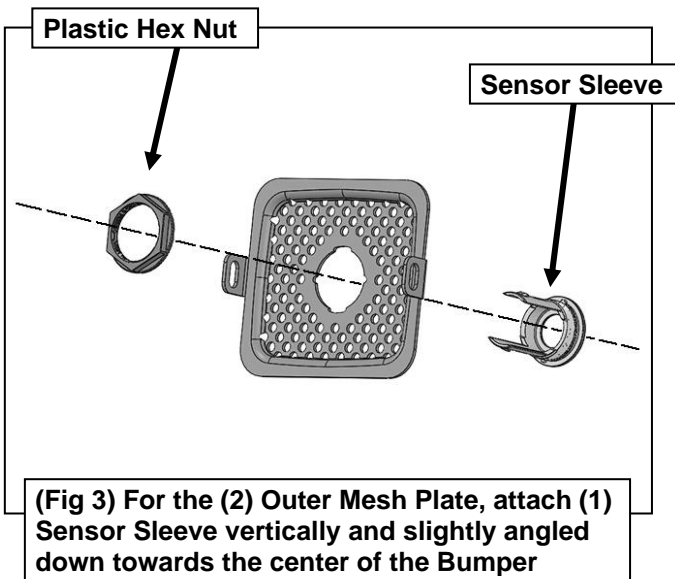
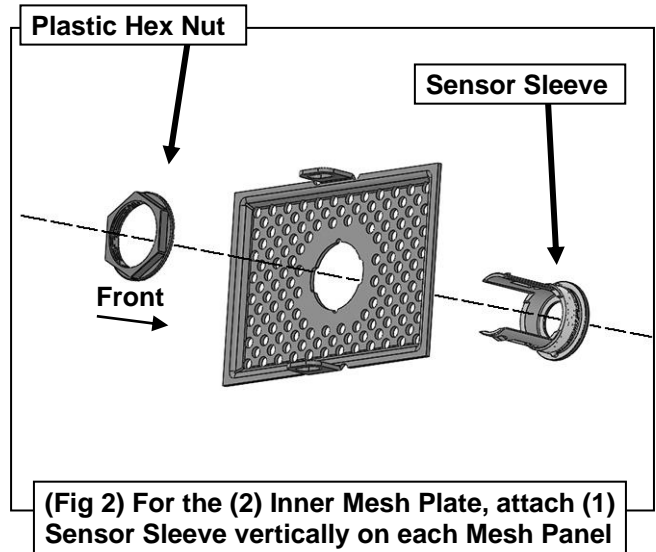
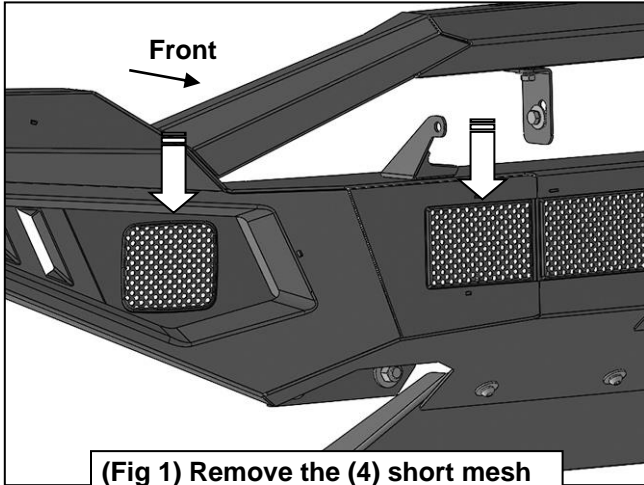


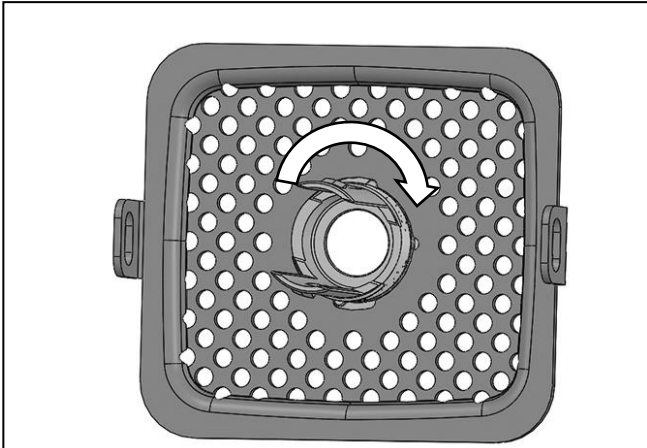
PROCEDURE:

REMOVE CONTENTS FROM BOX. VERIFY ALL PARTS ARE PRESENT. READ INSTRUCTIONS CAREFULLY BEFORE STARTING INSTALLATION. INSTALLATION OF LD2 FRONT BUMPER IS REQUIRED.

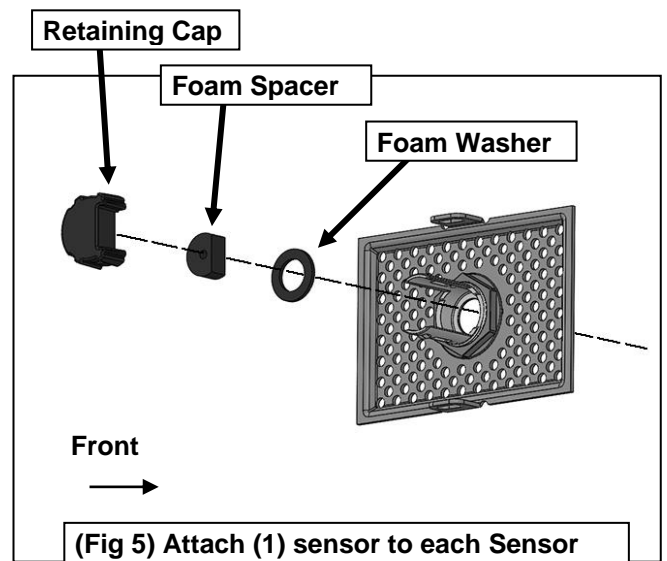
1. Start the installation at the rear of the front bumper. Remove the (4) small mesh panels attached to the back of the bumper, **(Figure 1)**.
2. **For the (2) Inner Mesh Panels:** Select (1) Inner Mesh Panel. Attach (1) Sensor Sleeve to the Mesh Panel with (1) Plastic Hex Nut. **NOTE:** The inner Sensor Sleeves with attach vertically to allow the wire harness to not interfere with the mounting tabs, **(Figure 2)**. Repeat this **Step** to attach (1) Sensor Sleeve to the remaining (1) Inner Mesh Panel.
3. **For the (2) Outer Mesh Panels:** Select (1) Outer Mesh Panel. Attach (1) Sensor Sleeve to the Mesh Panel with (1) Plastic Hex Nut. **NOTE:** The outer Sensor Sleeves with attach vertically and slightly angled down toward the center of the Bumper to allow the wire harness to not interfere with the mounting tabs, **(Figures 3 & 4)**. Repeat this **Step** to attach (1) Sensor Sleeve to the remaining (1) Outer Mesh Panel.
4. Select (1) parking sensor. Attach the sensor to (1) Mesh Panel assembly with (1) Foam Washer, (1) Foam Spacer and (1) Retaining Cap, **(Figure 5)**. Repeat this **Step** to attach the remaining (3) parking sensors to the (3) Mesh Panel assemblies and For Dodge Ram vehicles attach (2) parking sensors to the (2) outer sensor sleeves attached to the bumper.
5. Attach the mesh Panel assemblies to the back of the bumper with (8) 6mm Combo Bolts and (8) 6mm Flange Nuts, **(Figure 6)**.
6. Attach the wiring harnesses to the correct parking sensor.
7. Do periodic inspections to the installation to make sure that all hardware is secure and tight.

To protect your investment, Mild soap may be used to clean the Front Bumper assembly.



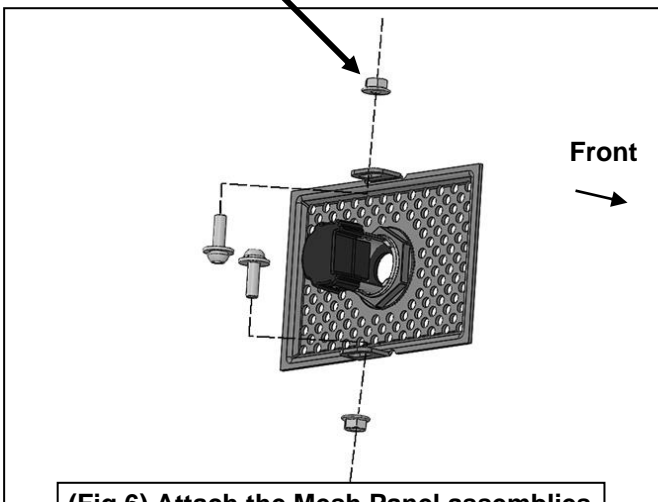


(Fig 4) For the Outer Mesh Panels, slide the tabs on the side of the Sensor Sleeve into the long cut out and rotate the side of the Sleeve that faces the center all the way down



(Fig 5) Attach (1) sensor to each Sensor Sleeve (For Dodge Ram models, insert (1) sensor to each of the (2) side locations)

- (2) 6mm Combo Bolts
- (2) 6mm Flange Nuts



(Fig 6) Attach the Mesh Panel assemblies to the back of the Bumper