



**BLACK HORSE
OFF ROAD®**

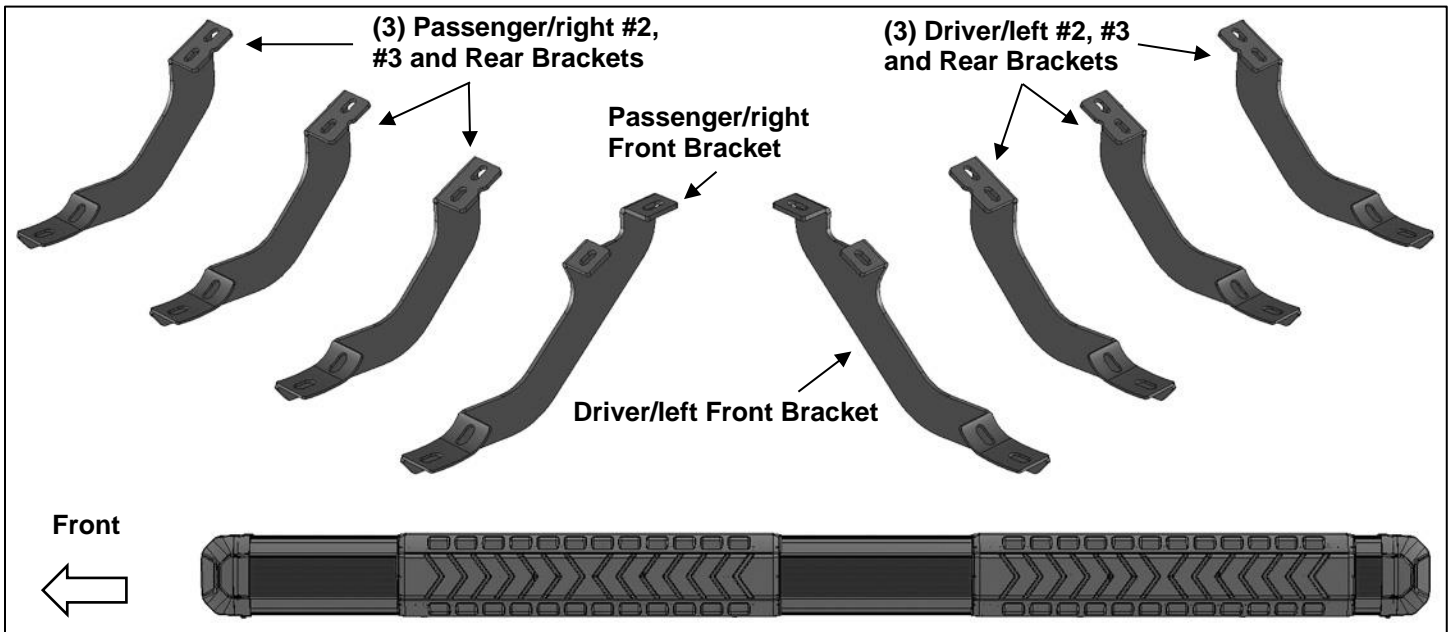
TEL: 1-866-XANATOS

INSTALLATION INSTRUCTIONS

**SABER 5INCH SIDEBAR
2022-24 TOYOTA TUNDRA DOUBLE CAB
PART#RN-TO22-79/RN-TO22-79-BK**

PARTS LIST:

| | | | |
|---|---|----|----------------------------------|
| 1 | Driver/left Saber Sidebar | 16 | 8mm x 30mm Hex Bolts |
| 1 | Passenger/right Saber Sidebar | 16 | 8mm x 20mm T-Bolts |
| 1 | Driver/left Front Mounting Bracket | 32 | 8mm x 24mm OD x 2mm Flat Washers |
| 1 | Passenger/right Front Mounting Bracket | 32 | 8mm Lock Washers |
| 3 | Driver/left #2, #3 and rear Mounting Brackets | 16 | 8mm Hex Nuts |
| 3 | Passenger/right #2, #3 and rear Mounting Brackets | | |

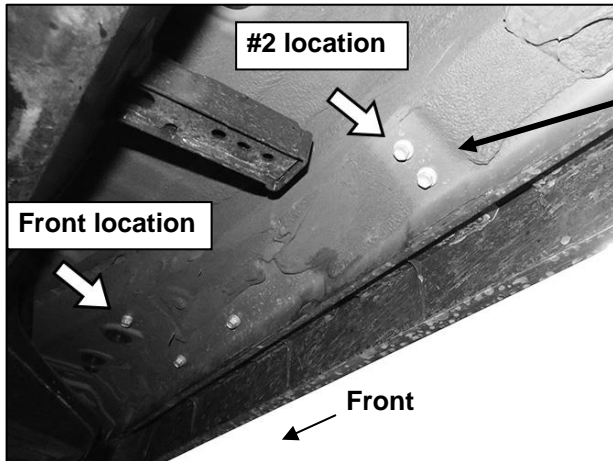


PROCEDURE:

1. REMOVE CONTENTS FROM BOX. VERIFY ALL PARTS ARE PRESENT. READ INSTRUCTIONS CAREFULLY. ASSISTANCE IS HIGHLY RECOMMENDED.
2. Starting on the passenger/right side of the vehicle, remove the plastic plugs or hex bolts from the (4) factory mounting location along the bottom of the body, (Figures 1 & 6).
3. Select the passenger/right Front Mounting Bracket, (Figure 2). Attach the Bracket to the front location with (2) 8mm Hex Bolts, (2) 8mm Lock Washers and (2) 8mm Flat Washers, (Figure 3). Do not tighten hardware.
4. Select the (3) passenger/right #2, #3 and Rear Brackets, (Figure 4). Repeat Steps 2 & 3 to attach the (3) Mounting Brackets to the threaded holes in the mounting locations, (Figures 1, 5 & 6).
5. Select the passenger/right Saber Sidebar. Use the illustration above to help determine the front end of the Sidebar. Insert (4) T-Bolts into each channel in the bottom of the Sidebar, (Figure 7).
6. With assistance, place the Sidebar on top of the Brackets. **IMPORTANT:** Do not slide, (front to back), the Sidebar on the Brackets or damage to the finish may result.
7. Attach the Sidebar to the Brackets with (8) 8mm Flat Washers, (8) 8mm Lock Washers and (8) 8mm Hex Nuts, (Figures 8 & 9). Do not tighten hardware.
8. Level and adjust the Sidebar and tighten all hardware.
9. Repeat Steps 2—8 to attach the driver/left Sidebar.
10. Do periodic inspections to the installation to make sure that all hardware is secure and tight.

To protect your investment, Do not use any type of polish or wax that may contain abrasives that could damage the finish. Use only mild soap to clean the Sidebars.

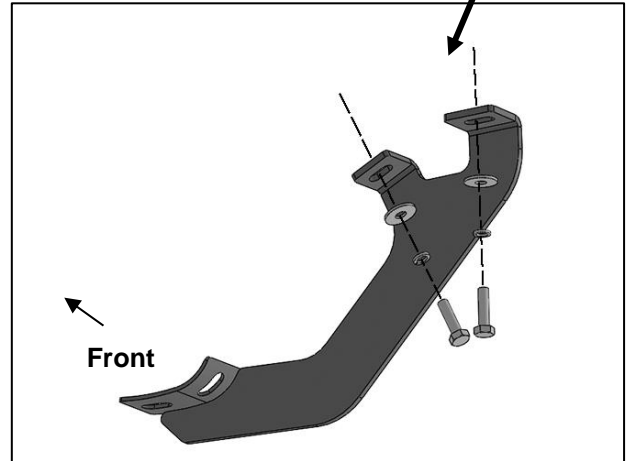
Passenger/Right Side Installation Pictured



(Fig 1) Passenger/right front and #2 mounting locations

Remove plastic plugs (if equipped) or hex bolts from threaded holes

- (2) 8mm Hex Bolts
- (2) 8mm Lock Washers
- (2) 8mm Flat Washers

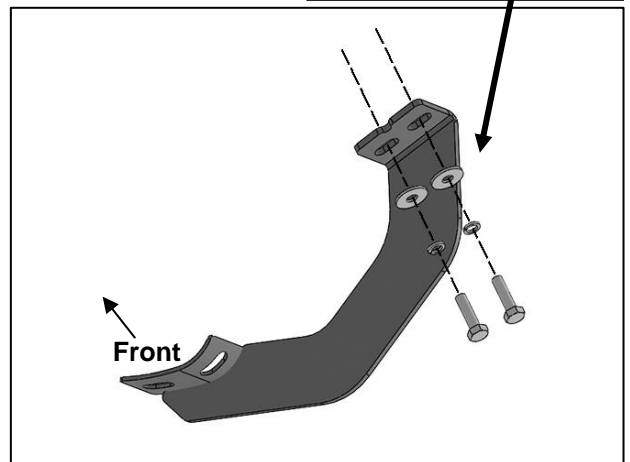


(Fig 2) Attach the passenger/right Front Mounting Bracket to the front location



(Fig 3) Passenger/right Front Mounting Bracket attached to the front location

- (2) 8mm Hex Bolts
- (2) 8mm Lock Washers
- (2) 8mm Flat Washers

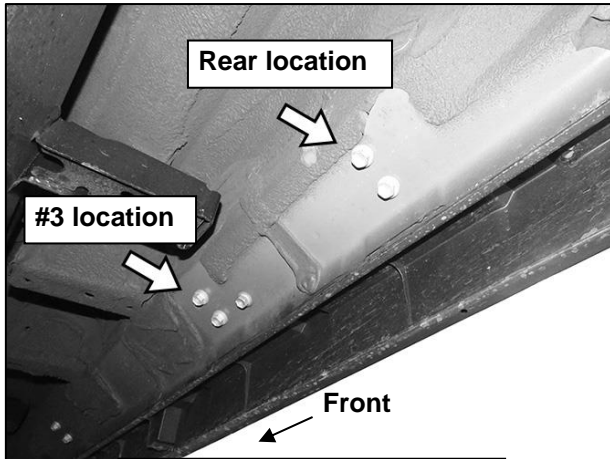


(Fig 4) Attach (1) passenger/right #2, #3 and Rear Bracket to the #2 location

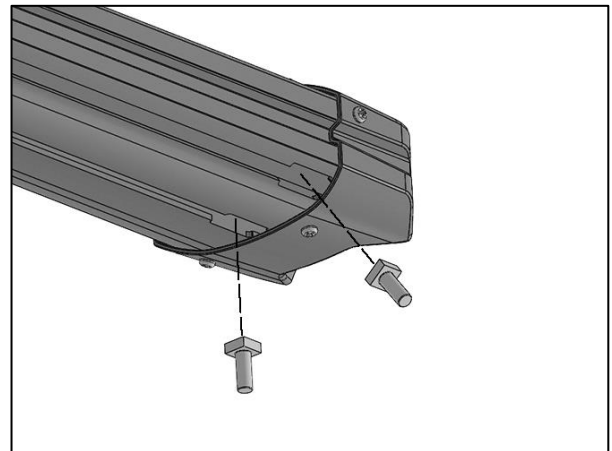


(Fig 5) Passenger/right #2, #3 and Rear Bracket attached to the #2 location

Passenger/Right Side Installation Pictured

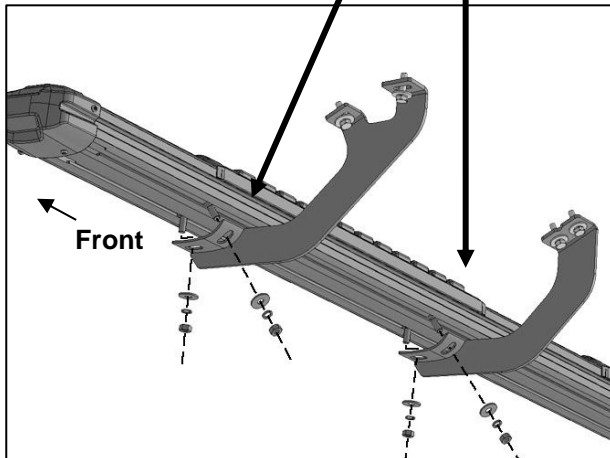


(Fig 6) Passenger/right #3 and rear mounting locations



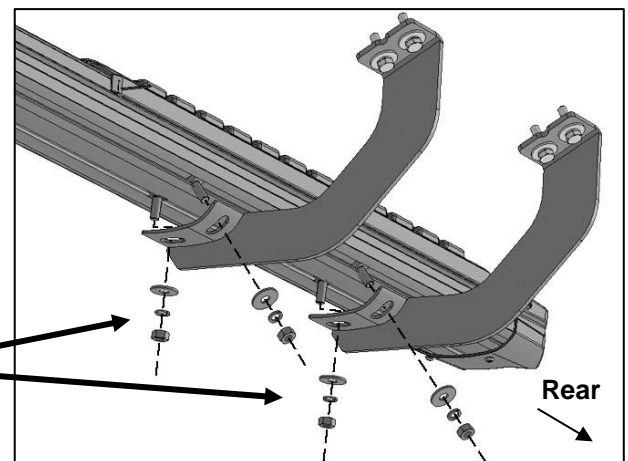
(Fig 7) Insert (4) T-Bolts into each channel in the bottom of the Sidebar

- (2) 8mm Flat Washers
- (2) 8mm Lock Washers
- (2) 8mm Hex Nuts



(Fig 8) Attach the passenger/right Sidebar to the front and #2 Mounting Brackets

- (2) 8mm Flat Washers
- (2) 8mm Lock Washers
- (2) 8mm Hex Nuts



(Fig 9) Attach the passenger/right Sidebar to the #3 and rear Mounting Brackets