



**BLACK HORSE  
OFF ROAD®**

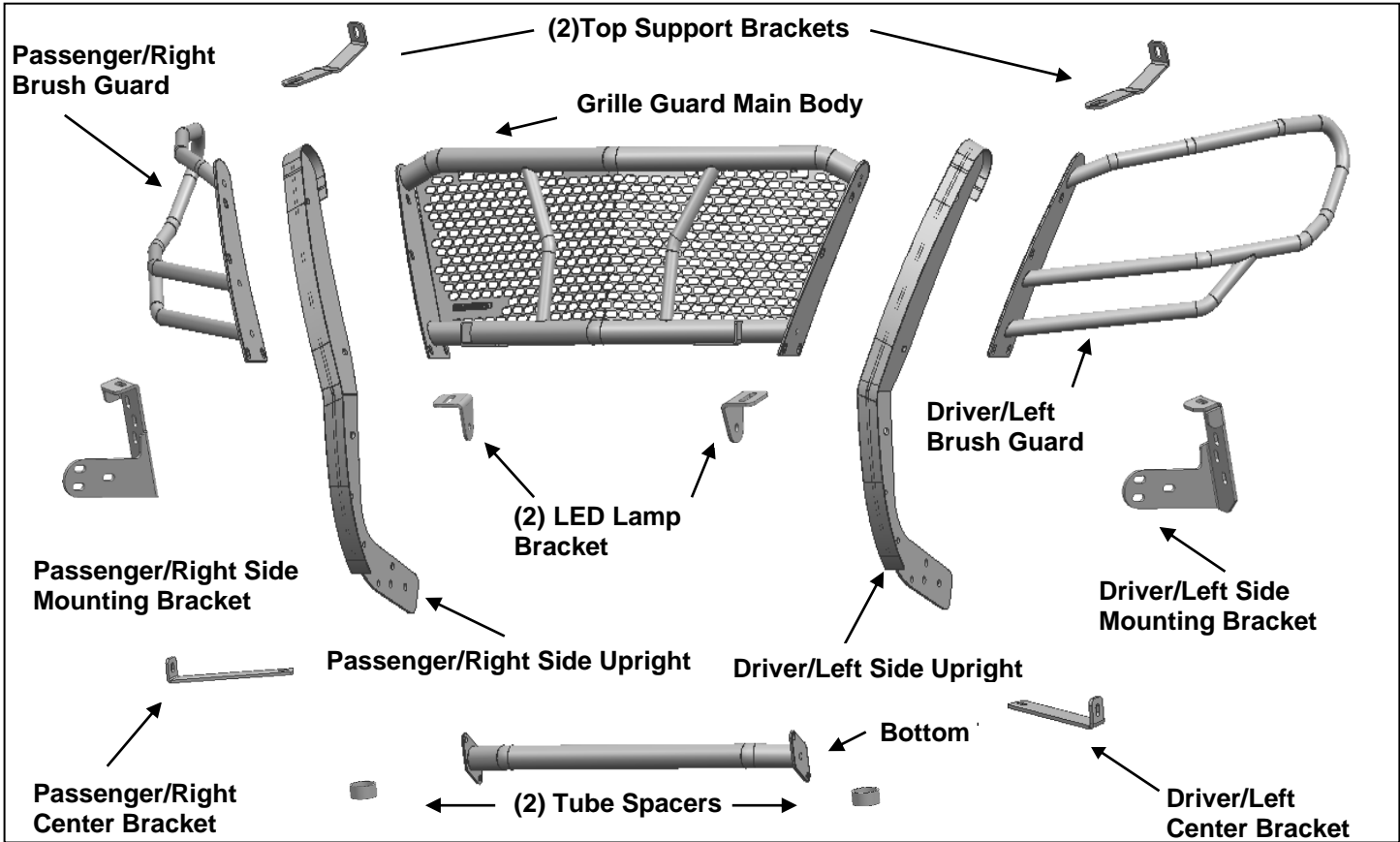
**TEL: 1-866-XANATOS**

## **INSTALLATION INSTRUCTIONS**

**MODULAR RUGGED GRILLE GUARD  
19-24 MERCEDES-BENZ SPRINTER 2/4WD (Excl. 3500 Dually)  
PART# RU-DOSP19-B/RU-DOSP19-B-PLR**

**PARTS LIST:**

1	Grille Guard Main Body	6	10-1.5mm x 30mm Button Head Bolts
1	Bottom Tube	8	10-1.5mm x 35mm Button Head Bolts
1	Driver/Left Side Upright	28	10mm x 24mm x 2.2mm Flat Washer
1	Passenger/Right Side Upright	14	10mm Nylon Lock Nut
1	Driver/Left Brush Guard	2	8-1.25mm x 16mm Button Head Bolts
1	Passenger/Right Brush Guard	4	8-1.25mm x 25mm Button Head Bolts
1	Driver/Left Side Mounting Bracket	4	8-1.25mm x 30mm Hex Bolt
1	Passenger/Right Side Mounting Bracket	2	8-1.25mm x 40mm Hex Bolt
1	Driver/Left Side Support Bracket	12	8mm x 24mm x 2mm Flat Washer
1	Passenger/Right Side Support Bracket	2	8mm x 16mm x 1.6mm Flat Washer
2	Top Support Brackets	10	8mm Lock Washer
2	Tube Spacers	2	8mm Nylon Lock Nut
2	LED Lamp Bracket	2	Screw ST4.8_30
6	12-1.75mm x 35mm Hex Bolt	2	5mm x 18mm x 2mm Flat Washer
12	12mm x 32mm x 3mm Flat Washer	1	Allen Wrench S=5
6	12mm Lock Washer	1	Allen Wrench S=6
6	12mm Hex Nut		

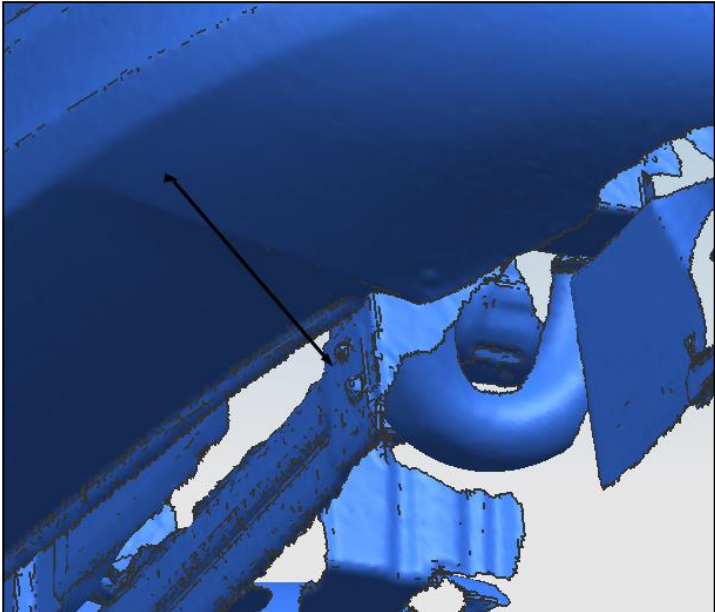


**PROCEDURE: REMOVE CONTENTS FROM BOX. VERIFY ALL PARTS ARE PRESENT. READ INSTRUCTIONS CAREFULLY BEFORE STARTING INSTALLATION. DRILLING IS REQUIRED. ASSISTANCE IS RECOMMENDED.**

1. Starting on the Driver/Left Side of the vehicle.
2. Attach the Driver/Left Side Mounting Bracket to the vehicle with (2) 8mm x 24mm x 2mm Flat Washer, (2) 8mm Lock Washer and (2) 8-1.25mm x 30mm Hex Bolt, **(Figures 1&2)**. Leave hardware loose.
3. Repeat **Steps 2** to install the Passenger/Right Side Mounting Bracket.
4. Next, remove the (2) Torx bolts in the bottom of the opening in the front bumper step area, **(Figure 3)**. Place a Tube Spacer into the driver/left side recess in the bumper cover, **(Figure 4)**. Position the Driver/Left Center Bracket over the Tube Spacer. Use the included (1)8mm x 24mm x 2mm Flat Washer, (1) 8mm Lock Washer and (1)8-1.25mm x 40mm Hex Bolt to attach the Bracket to the bumper, **(Figures 5)**. Leave hardware loose. Repeat this Step for Passenger Side Center Bracket installation.
5. Attach the Top Support Brackets with the included (1) Screw ST4.8\_30 and (1) 5mm x 18mm x 2mm Flat Washer **(Figure 6)**. Repeat this Step for Passenger Side Top Support Brackets installation.
6. With assistance, position the Driver/Left Side Upright up to the outside of the Driver/Left Side Mounting Bracket. Attach the Driver/Left Side Upright to the Brackets with the included (3) 12-1.75mm x 35mm Hex Bolt, (6) 12mm x 32mm x 3mm Flat Washer, (3) 12mm Lock Washer and (3) 12mm Hex Nut, **(Figure 7)**. Leave hardware loose. Repeat this Step for Passenger Side Mounting Bracket installation.
7. Attach the Driver/Left Center Bracket to the inside of the Driver/Left Side Upright with the included (1) 10-1.5mm x 30mm Button Head Bolts, (2) 10mm x 24mm x 2.2mm Flat Washer and (1) 10mm Nylon Lock Nut, **(Figures 8 & 9)**. Do not tighten hardware at this time. Repeat Step6-7 to attach the Passenger/Right Center Bracket.
8. Line up the outer end of the Top Support Brackets with the mounting hole in the Grille Guard Main Body. Attach the Bracket to the Grille Guard Main Body with,(1) 8mm x 16mm x 1.6mm Flat Washer, (1) 8mm Lock Washer and (1) 8-1.25mm x 25mm Button Head Bolt, **(Figure 10)**. Repeat the above Steps for passenger side Top Support Bracket installation.
9. Attach the Bottom Tube to the inside of the Driver/Left Side Upright with the included (2) 10-1.5mm x 30mm Button Head Bolt, (4) 10mm x 24mm x 2.2mm Flat Washer and (2) 10mm Nylon Lock Nut, **(Figures11)**. Do not tighten hardware at this time. Repeat this Step to attach the Passenger/Right Side Upright.
10. Select the Driver/Left Brush Guard and Driver/Left Side Upright, (Figure 12). Attach the Driver/Left Brush Guard and Driver/Left Side Upright to the outside of the Grille Guard Main Body with the included (4) 10mm x 24mm x 2.2mm Flat Washer ,(8) 10-1.5mm x 35mm Button Head Bolts and(4)10mm Nylon Lock Nut. Fully tighten hardware. Repeat this Step to attach the Passenger/Right Brush Guard.
11. Align the Grille Guard Main Body properly and fully tighten all hardware.
12. **LED Lamp Bracket installation** (light sold separately).
  - a. Select (1) LED Lamp Bracket, **(Figure 13)**. Attach the Bracket to the mounting tab on the Grille Guard Main Body with the included (1)8-1.25mm x 25mm Button Head Bolts, (2) 8mm x 24mm x 2mm Flat Washer and (1)8mm Nylon Lock Nut. Repeat this Step to install the remaining Bracket. Leave loose at this time.
  - b. Use the hardware included with the light or the supplied (1) 8-1.25mm x 16mm Button Head Bolts (1) 8mm Lock Washer and (1) 8mm x 24mm x 2mm Flat Washer to attach the LED light assembly to the LED Lamp Bracket, **(Figure 13)**. Do not fully tighten hardware at this time.
  - c. Follow light manufacturer's instructions to properly wire the light to the electrical system.
  - d. Adjust light and fully tighten hardware.
13. Do periodic inspections to the installation to make sure that all hardware is secure and tight.

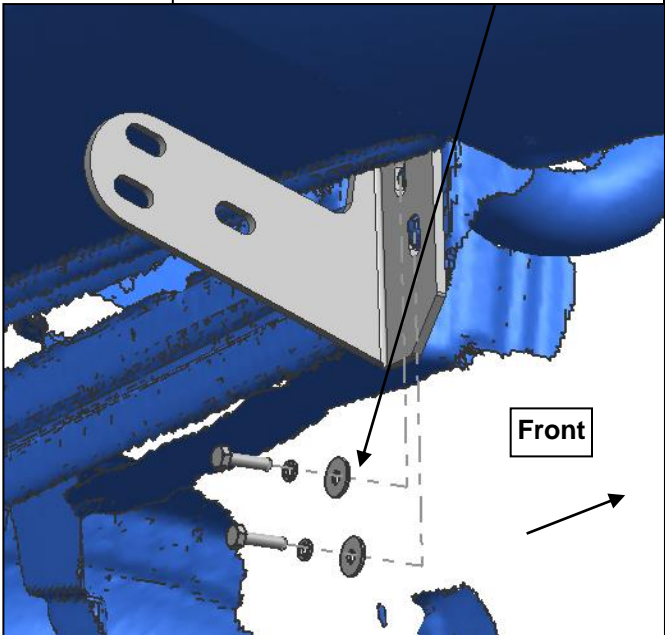
**To protect your investment,** Do not use any type of polish or wax that may contain abrasives that could damage the finish. Mild soap may be used to clean the Grille Guard.

**Driver/left Side Installation Pictured**

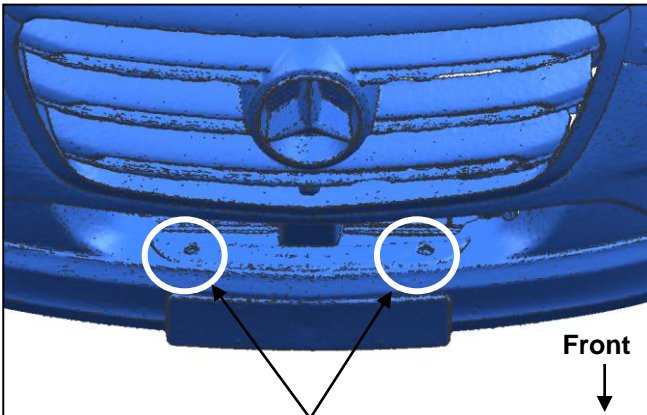


(Fig 1) the driver/left side of the vehicle

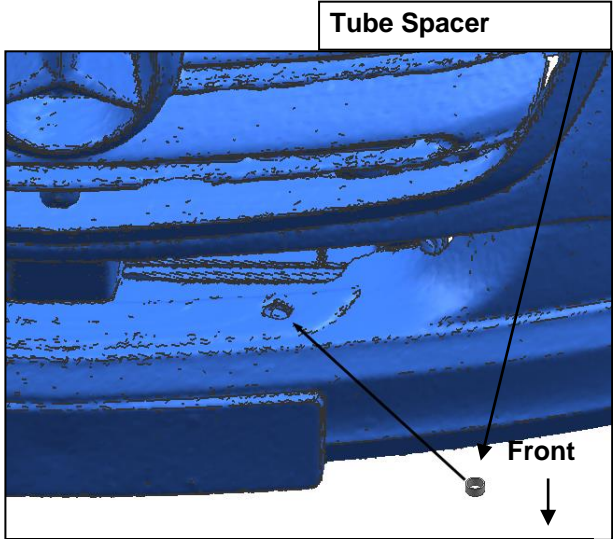
- (2) 8mm x 24mm x 2mm Flat Washer
- (2) 8mm Lock Washer
- (2) 8-1.25mm x 30mm Hex Bolt



(Fig 2) Driver/Left Side Mounting Bracket installed



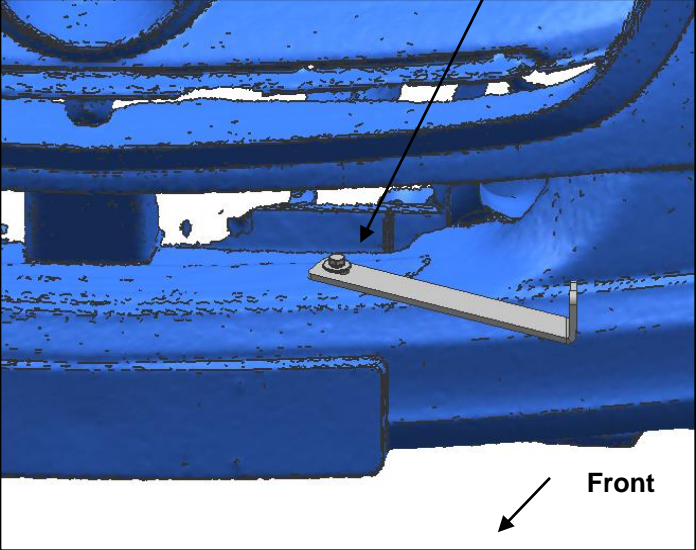
(Fig 3) Remove (2) factory screws (Torx head)



(Fig 4) Insert Spacer into recess in bumper

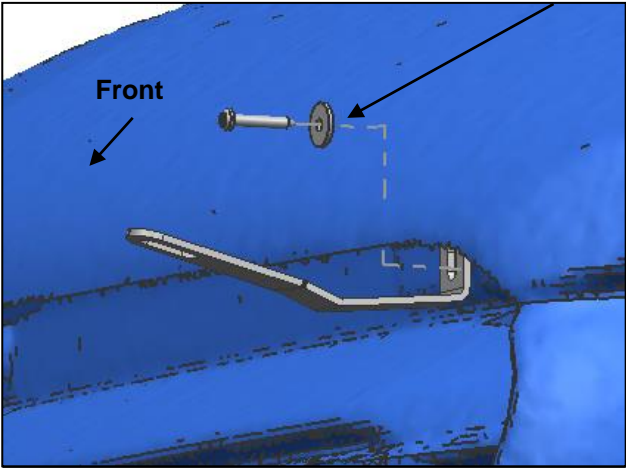
**Driver/left Side Installation Pictured**

- (1) 8mm x 24mm x 2mm Flat Washer
- (1) 8mm Lock Washer
- (1) 8-1.25mm x 40mm Hex Bolt



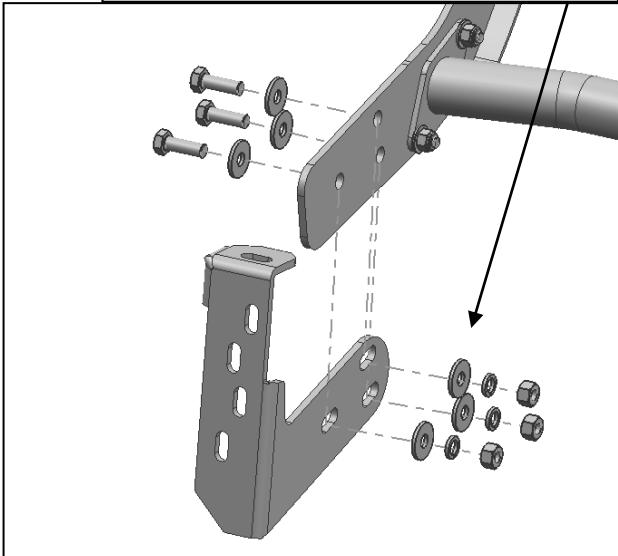
**(Fig 5) Attach Driver/Left Center Bracket to bumper**

- (1) Screw ST4.8\_30
- (1) 5mm x 18mm x 2mm Flat Washer



**(Fig6) Top Support Bracket installed**

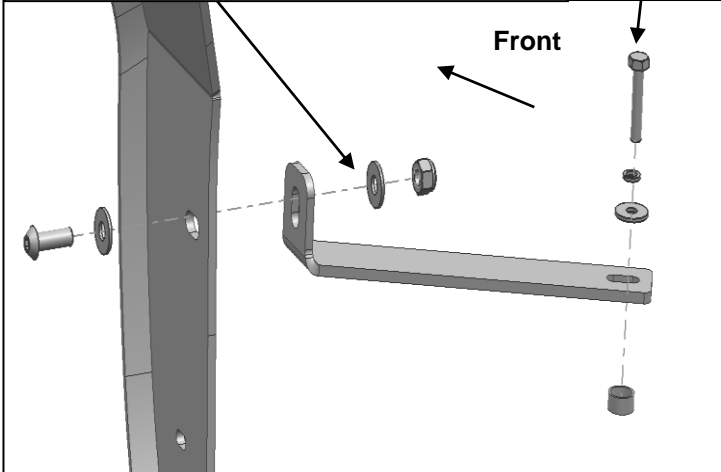
- (3) 12-1.75mm x 35mm Hex Bolt
- (6) 12mm x 32mm x 3mm Flat Washer
- (3) 12mm Lock Washer
- (3) 12mm Hex Nut



**(Fig 7) Attach Driver/Left Side Upright to Frame Brackets**

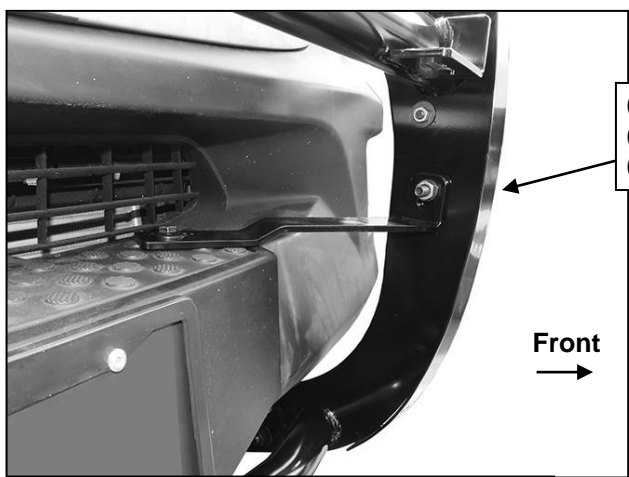
- (1) 8mm x 24mm x 2mm Flat Washer
- (1) 8mm Lock Washer
- (1) 8-1.25mm x 40mm Hex Bolt
- (1) Tube Spacer

- (1) 10-1.5mm x 30mm Button Head Bolts
- (2) 10mm x 24mm x 2.2mm Flat Washer
- (1) 10mm Nylon Lock Nut



**(Fig8) Attach Center Bracket to upright**

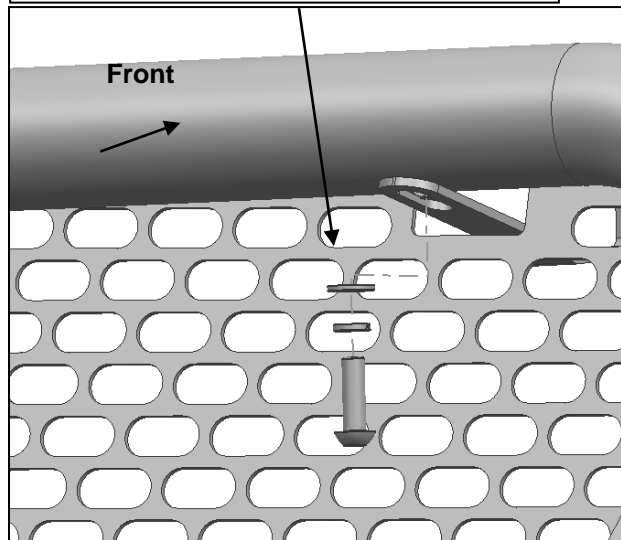
**Driver/left Side Installation Pictured**



- (1) 10-1.5mm x 30mm Button Head Bolts
- (2) 10mm x 24mm x 2.2mm Flat Washer
- (1) 10mm Nylon Lock Nut

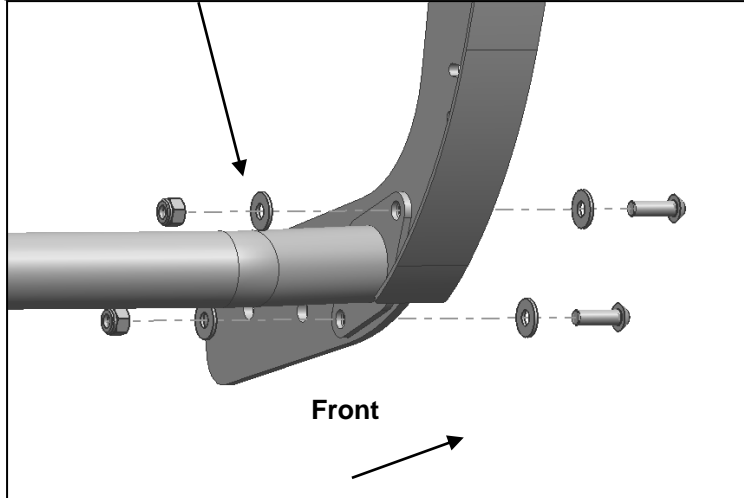
**(Fig9) Attach Center Bracket to upright**

- (1) 8mm x 16mm x 1.6mm Flat Washer
- (1) 8mm Lock Washer
- (1) 8-1.25mm x 25mm Button Head Bolt



**(Fig 10) Attach Top Support Bracket to upright on Grille Guard Main Body**

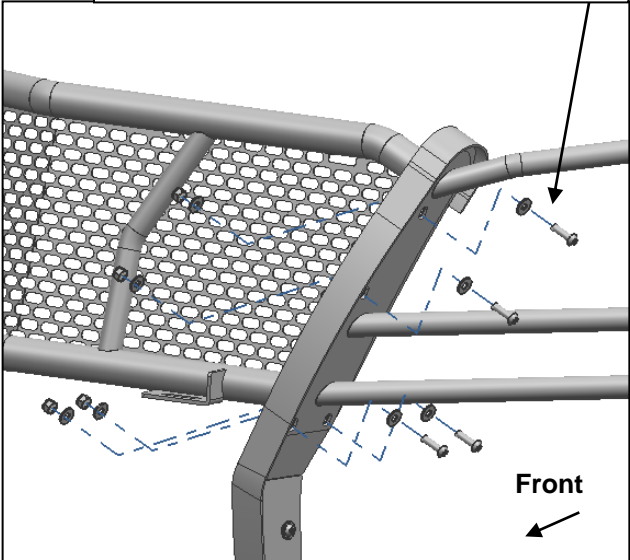
- (2) 10-1.5mm x 30mm Button Head Bolt
- (4) 10mm x 24mm x 2.2mm Flat Washer
- (2) 10mm Nylon Lock Nut



**(Fig11) Bottom Tube installed**

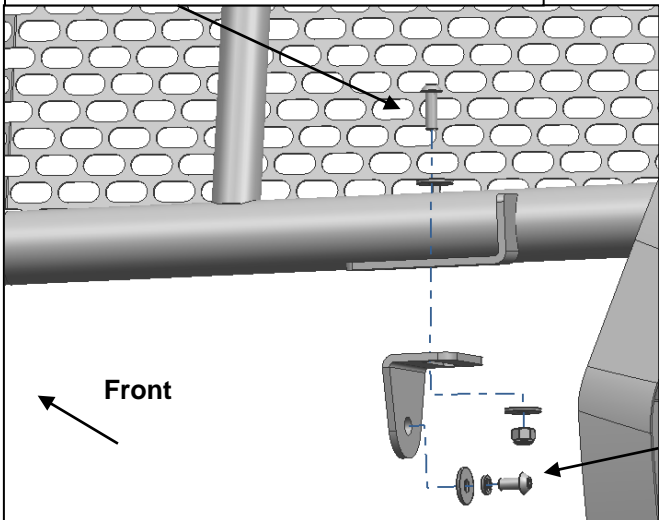
**Driver/left Side Installation Pictured**

- (4) 10mm x 24mm x 2.2mm Flat Washer
- (8) 10-1.5mm x 35mm Button Head Bolts
- (4) 10mm Nylon Lock Nut



**(Fig 12) Left Side Upright to Grille Guard Main Body**

- (1) 8-1.25mm x 25mm Button Head Bolt
- (2) 8mm x 24mm x 2mm Flat Washer
- (1) 8mm Nylon Lock Nut



- (1) 8-1.25mm x 16mm Button Head Bolts
- (1) 8mm Lock Washer
- (1) 8mm x 24mm x 2mm Flat Washer

**(Fig 13) Attach LED Lamp Bracket to Grille Guard Main Body**

