

# **INSTALLATION INSTRUCTION**

**Black Rear Bumper Guard (Double Tube)**

**for**

**2007-2011 Mercedes-Benz ML Series**

**2007-2012 Mercedes-Benz GL Series**

**PART # CRDL-MBM103B / CRDL-MBM103S**



**BLACK HORSE  
OFF ROAD**

# INSTALLATION INSTRUCTION

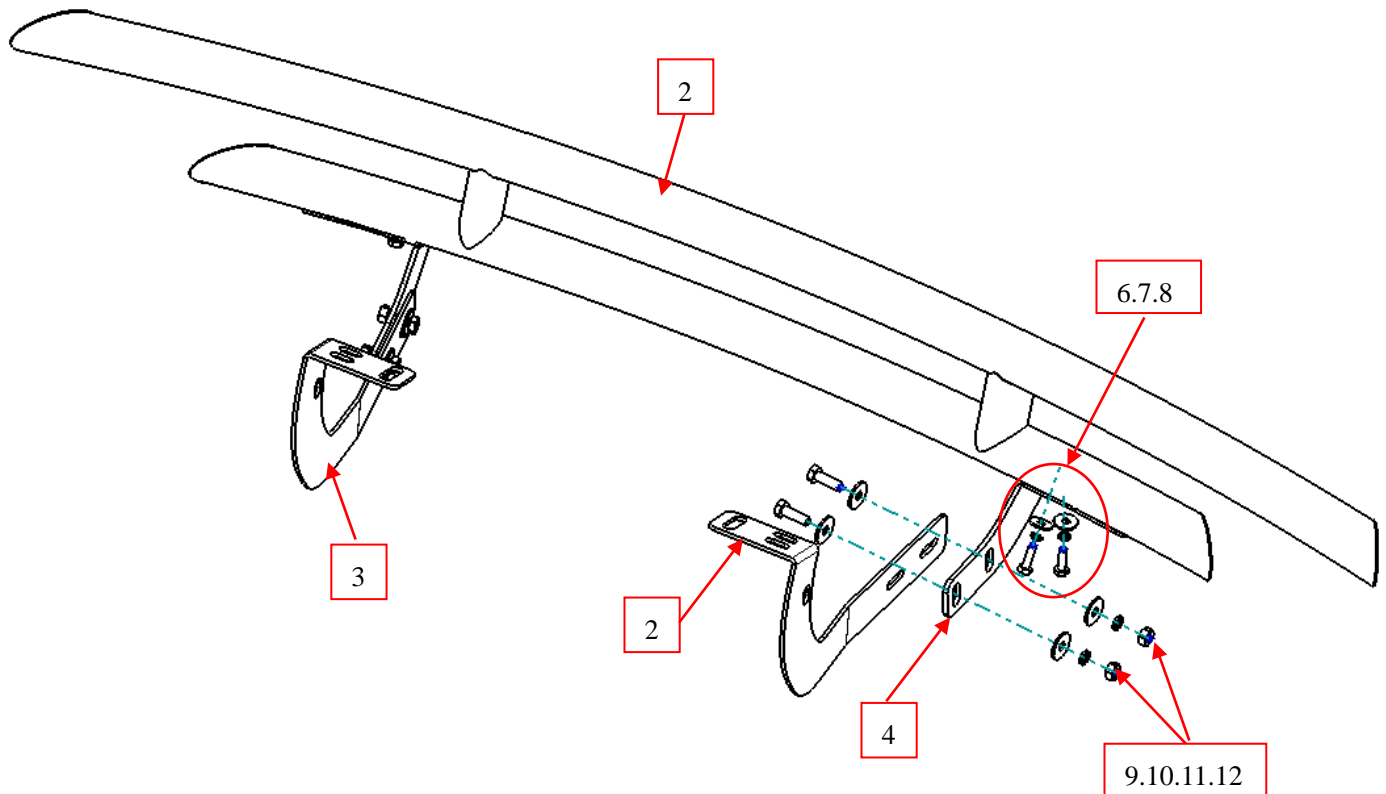
Attention:

- Please read this installation menu before installing this part. Protect your car properly in case there is any scratch might have.
- You may need to periodically to re-tighten all hardware for safety use after installation.
- Installation pictures are only for your reference, there might be some differences between pictures and real parts but no affect for your fitting.

**PART LIST**

NO.	NAME	QTY	REMARK	NO.	NAME	QTY	REMARK
1	Rear Guard	1		7	Large Washer	4	Φ8*25*2.0
2	Mounting Bracket (left )	1		8	Spring Washer	4	Φ8
3	Mounting Bracket (right)	1		9	Hexagon Bolt	4	M10*30
4	Bracket (left)	1		10	Large Washer	8	φ 10*30*2.5
5	Bracket (right)	1		11	Spring Washer	4	φ 10
6	Hex Head Bolt	4	M8*25	12	Hexagon Nut	4	M10

## INSTALLATION PICTURE



Disclaimer: Caused due to improper installation initiates some related problem and losses, are beyond our company's quality assurance.