



# **INSTALLATION INSTRUCTIONS**

**TONNEAU RAISED BASE FOR STAINLESS STEEL CLASSIC ROLL**

**BAR FOR FORD RANGER 2019-2020**

**PART # RB08SS**

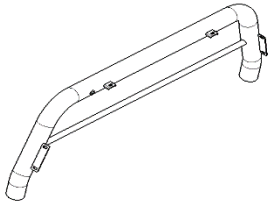
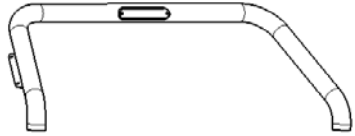
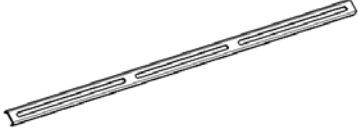
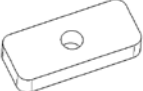
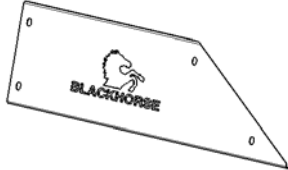
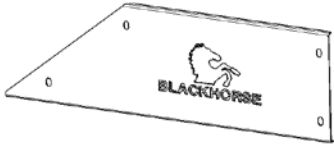
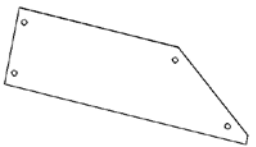
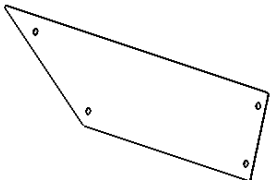
## Before Installation

- Please read the instruction completely for easy installation, which will also help you to avoid scratches or other potential damages to your appealing car.
- The figures here are for reference only and may have differences with the actual product you received, however they share the same assembly way.

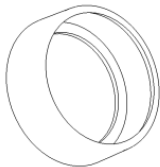

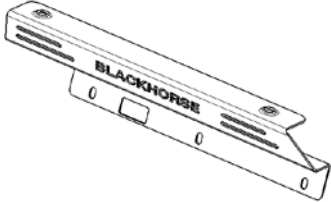
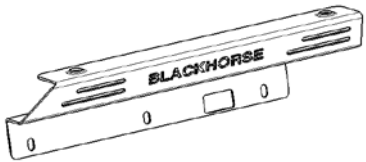
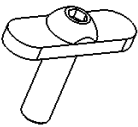
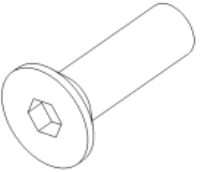

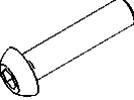




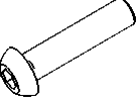





## Care and Cleaning

- Mild soap may be used also to clean the Product.
- Please periodically check and retighten all the hardware and clean the investment for a refresh look.

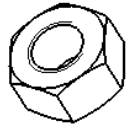
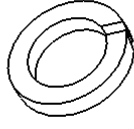
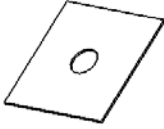
## Parts list

NO.	QTY	NAME	NO.	QTY	NAME
①	1	 Pipe 1	②	1	 Pipe 2
③	1	 Connecting plate (FOR LED LIGHT INSTALLATION)	④	2	 Block
⑤	1	 Decoration plate-L	⑥	1	 Decoration plate-R
⑦	2	 Red decoration plate	⑧	2	 Decoration plate backboard

TONNEAU RAISED BASE FOR STAINLESS STEEL CLASSIC ROLL BAR FOR 2019-2020 FORD RANGER

⑨	4	 Gum cover	⑩	1	 Allen wrench S=5
⑪	1	 Left support bracket	⑫	1	 Right support bracket
⑬	4	 T bolt 3(M10x35 button head allen bolts)(50x15-25-5)	⑭	4	 Button head allen bolts M12_40
⑮	2	 Spring washer D8	⑯	2	 Button head allen bolts M8_40
⑰	2	 Hex nut M8	⑱	4	 Flat washer D8
⑲	16	 Flat washer D6	⑳	8	 Spring washer D6
㉑	8	 Button head allen bolts M6_20	㉒	8	 Hex nut M6
㉓	1	 Allen wrench S=4	㉔	1	 Allen wrench S=2.5
㉕	1	 Allen wrench S=8	㉖	6	 Flat washer D10

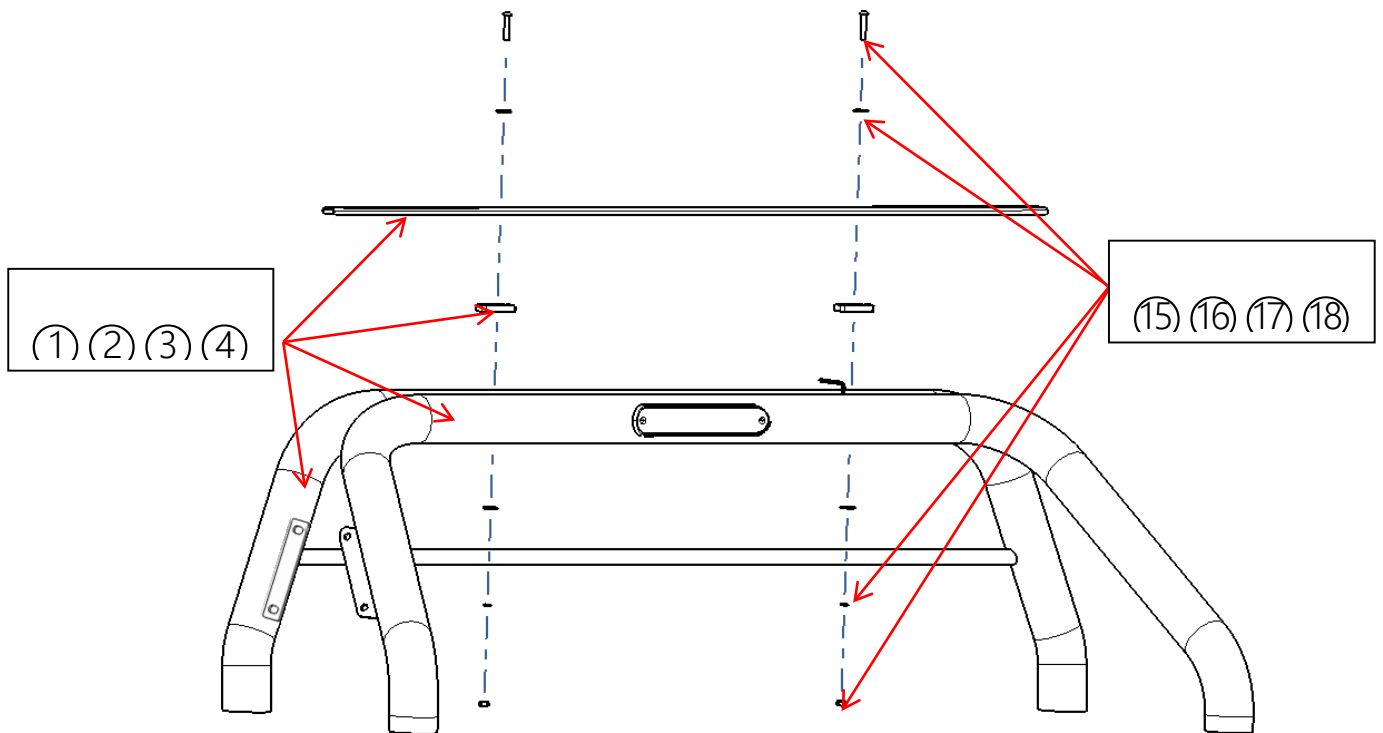
TONNEAU RAISED BASE FOR STAINLESS STEEL CLASSIC ROLL BAR FOR 2019-2020 FORD RANGER

27	6	 <p>Hex nut M10</p>	28	6	 <p>Spring washer D10</p>
29	6	 <p>PVC plastic block <math>\phi 10(\delta 0.7*40*40)</math></p>			

### Installation Steps

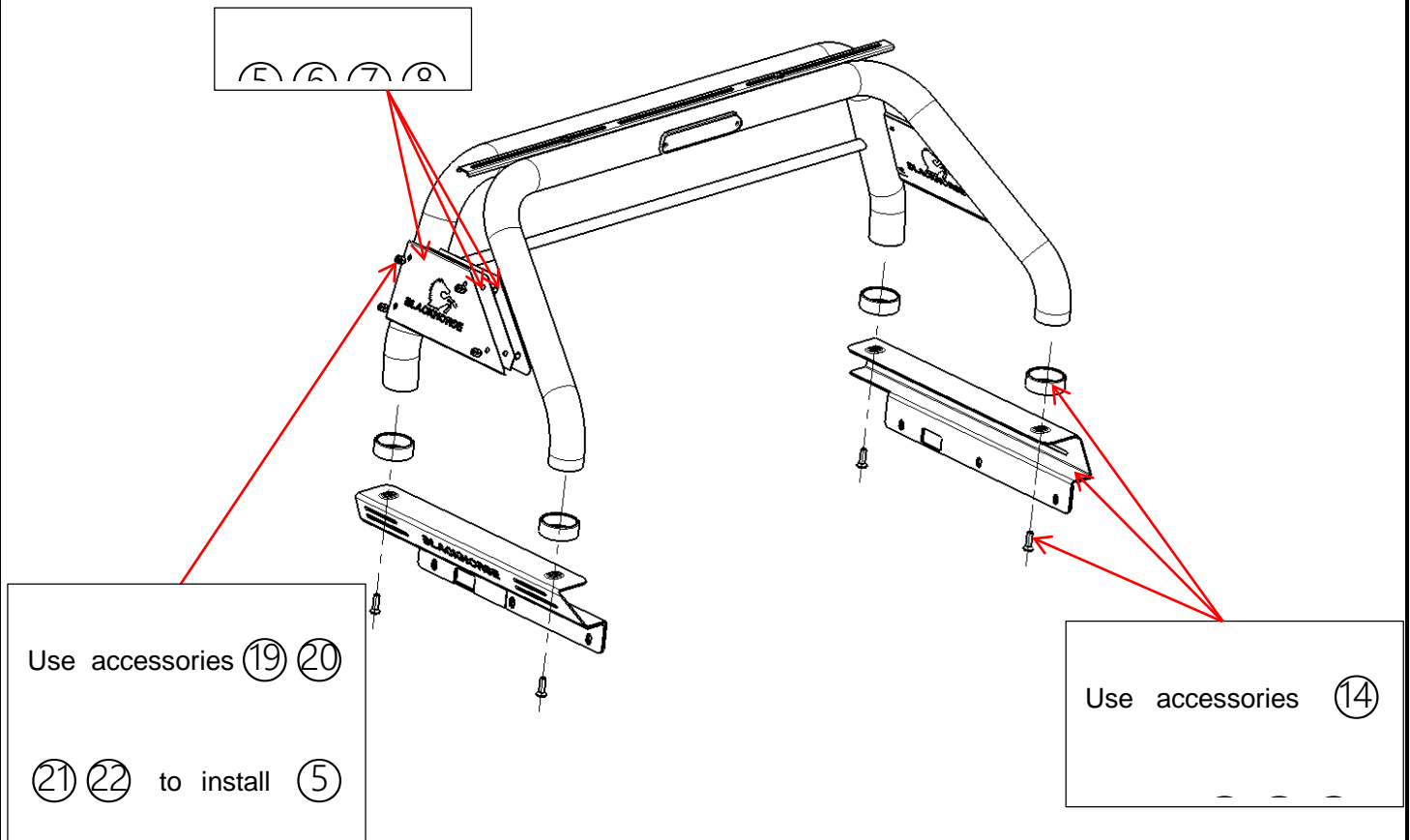
**Step1:** Assemble ① and ② with standard parts. Lock all the standard parts after adjust the position.

Use standard parts ⑮ ⑯ ⑰ ⑱ to



TONNEAU RAISED BASE FOR STAINLESS STEEL CLASSIC ROLL BAR FOR 2019-2020 FORD RANGER

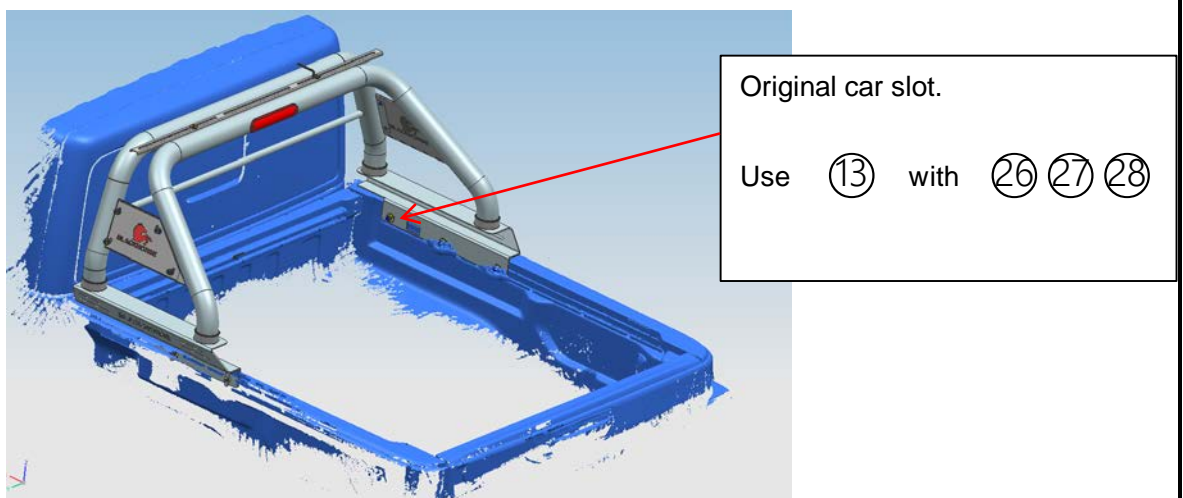
**Step2:** Assemble decoration plates and brackets with pipes. Lock all the standard parts after adjust the position.



**Step3:** Place the roll bar on the truck in an appropriate location. And mark the hole with pen. 2 places in each part, total are 4 places. Remove the product.

**FOR 2019-2020 FORD RANGER:**

Put the left and right support bracket on both side of the truck, and use 13 26 27 28 29 to fasten on the original car slot.



**NOTE**

Any damages and losses caused by improper installation and application, goes beyond our quality warranty.