

MODULAR TEXTURED BLACK CLASSIC PRO ROLL BAR WITH BRAKE LIGHT FOR JEEP GLADIATOR 20-22  
(COMPATIBLE WITH TONNEAU COVER BASE)



## **INSTALLATION INSTRUCTIONS**

**MODULAR TEXTURED BLACK CLASSIC PRO ROLL BAR WITH  
BRAKE LIGHT FOR JEEP GLADIATOR 20-22 (COMPATIBLE WITH  
TONNEAU COVER BASE)**

**PART # RB09MT**











## Before Installation

- Please read the instruction completely for easy installation, which will also help you to avoid scratches or other potential damages to your appealing car.
- The information shown here is for reference only and may differ from the product that you receive, however the goods are fitted in the same way.




















## Care and Cleaning

- Mild soap may be used also to clean the Product.
- Please periodically check and retighten all the hardware and clean the investment for a refresh look.







## Parts list

NO.	QTY	PICTURE	NO.	QTY	PICTURE
①	1	 Front middle tube	②	1	 Rear middle tube
③	1	 Front side tube (L)	④	1	 Front side tube (R)
⑤	1	 Rear side tube (L)	⑥	1	 Rear side tube (R)
⑦	1	 Middle decoration plate	⑧	1	 Decoration plate (L)
⑨	1	 Decoration plate (R)	⑩	1	 Allen wrench S=4

MODULAR TEXTURED BLACK CLASSIC PRO ROLL BAR WITH BRAKE LIGHT FOR JEEP GLADIATOR 20-22  
(COMPATIBLE WITH TONNEAU COVER BASE)

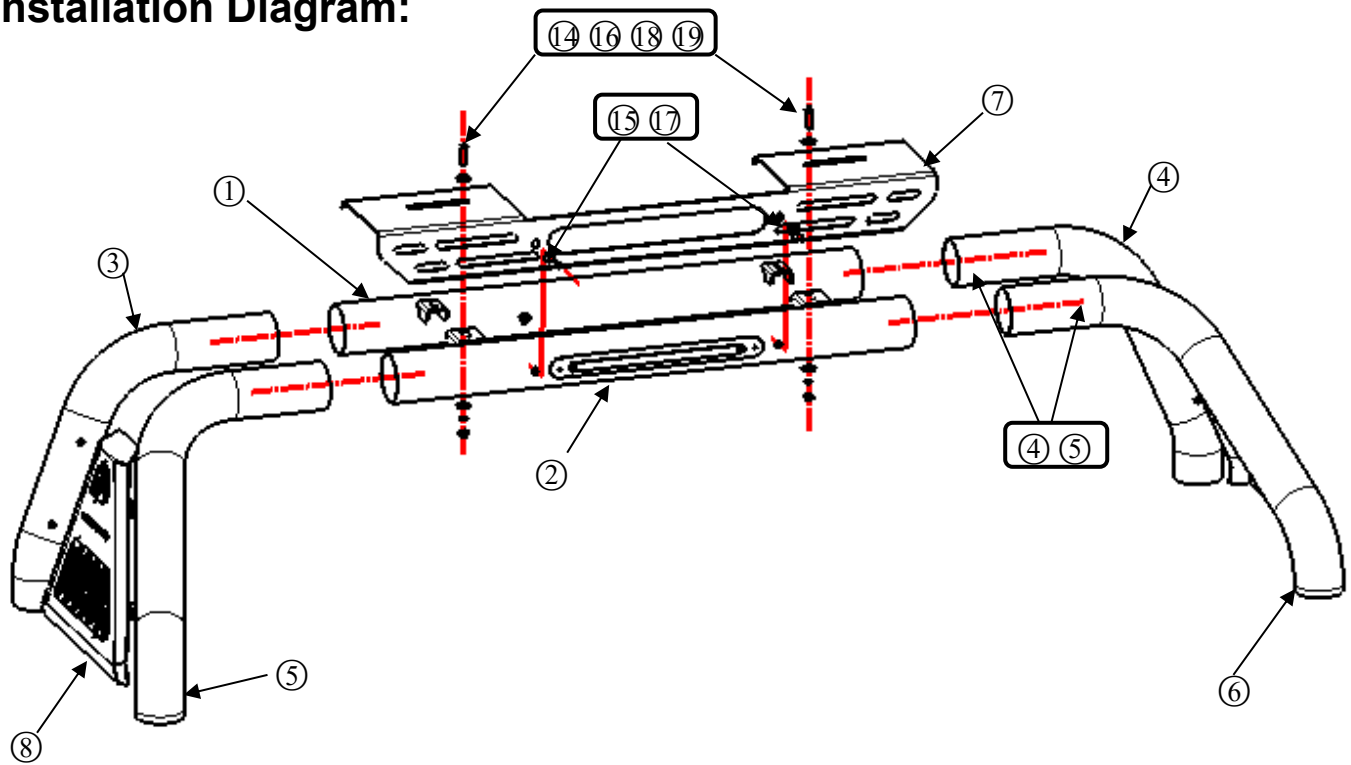
⑪	1	 Allen wrench S=5	⑫	1	 Allen wrench S=6
⑬	8	 Lock washer D6	⑭	2	 Lock washer D8
⑮	10	 Flat washer D6 (6x18x1.6mm)	⑯	4	 Flat washer D8 (8x24x2mm)
⑰	2	 Hex bolts M6_20	⑱	2	 Hex bolts M8_30
⑲	2	 Hex nut M8	⑳	8	 Hex bolt M6_20
㉑	4	 Assembly bolt (M8_25)			
<b>MOUNTING BASE:</b>					
㉒	2	 Mounting base (L/R)	㉓	2	 Front end cover (L/R)
㉔	2	 Rear end cover (L/R)	㉕	4	 Roll bar gum cover
㉖	1	 Black adhesive tape 6 (1600x35x5mm)	㉗	2	 Black adhesive tape 4 (250x35x5mm)
㉘	2	 Black adhesive tape 5 (250x35x3mm)	㉙	6	 T Bolt M10_35

MODULAR TEXTURED BLACK CLASSIC PRO ROLL BAR WITH BRAKE LIGHT FOR JEEP GLADIATOR 20-22  
(COMPATIBLE WITH TONNEAU COVER BASE)

③①	6		③②	6	
		10mm Plastic Retainer			Lock washer D10
③②	6		③③	6	
		Flat washer D10 (10x30x2.5mm)			Hex nut M10
③④	4		③⑤	4	
		Hex bolts M10_30			Assembly bolt M6_20

**Installation Steps**

**Installation Diagram:**



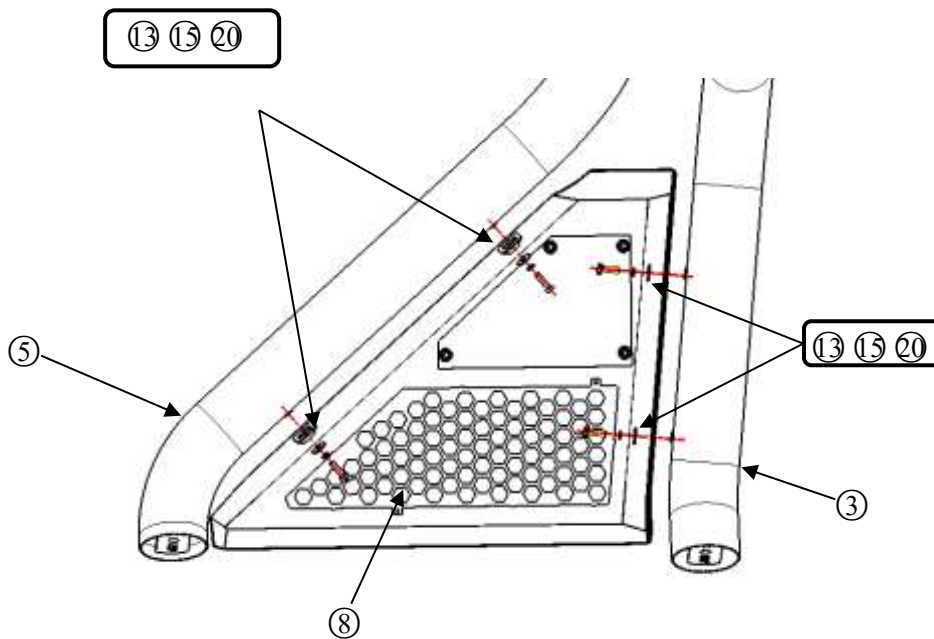
Step 1: Verify all parts are present.

Step 2: Put these parts in the corresponding positions according to the above installation diagram, assemble the tubes parts each other and ensure the roll bar can stand up. Install front middle tube ①, rear middle tube ② and middle decoration plate ⑦ with standard parts ⑮ ⑰ and ⑱ ⑲ ⑲. (Do not tighten standard parts to provide sufficient adjustment space for subsequent installation)

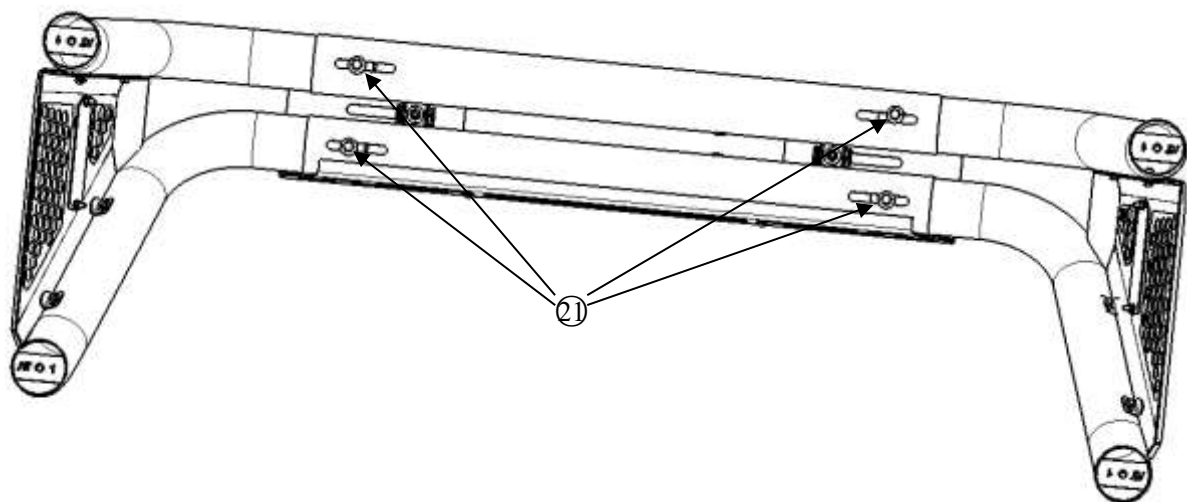
Step 3: Assemble left decoration plate ⑧ and right decoration plate ⑨ with standard parts ⑲

MODULAR TEXTURED BLACK CLASSIC PRO ROLL BAR WITH BRAKE LIGHT FOR JEEP GLADIATOR 20-22  
(COMPATIBLE WITH TONNEAU COVER BASE)

⑮ ⑳, the standard parts can be pre-tightened (During installation if you find the place is not enough, can adjust the gap size of the middle tube position in Step 2.

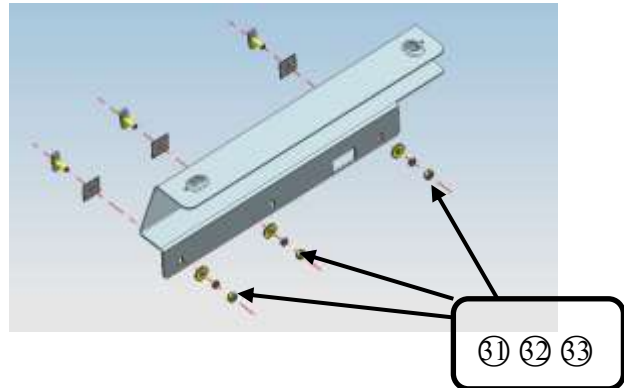
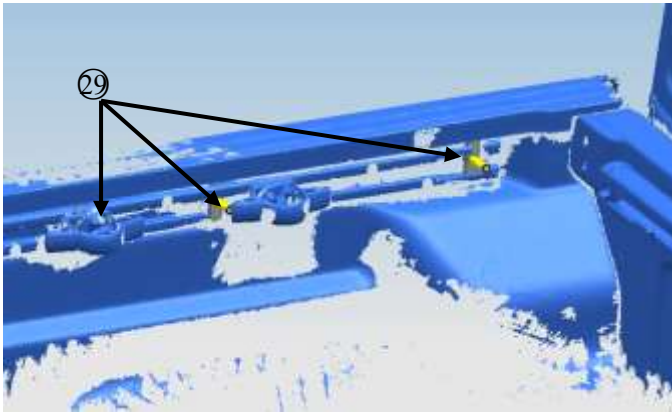


Step 4: After the preceding components are preinstalled, connect the side tube and middle tube with standard part ⑳. (To adjust tubes to appropriate position, lock tighten all accessories except standard part ⑳) PS: These adjustable holes can control the width of roll bar.

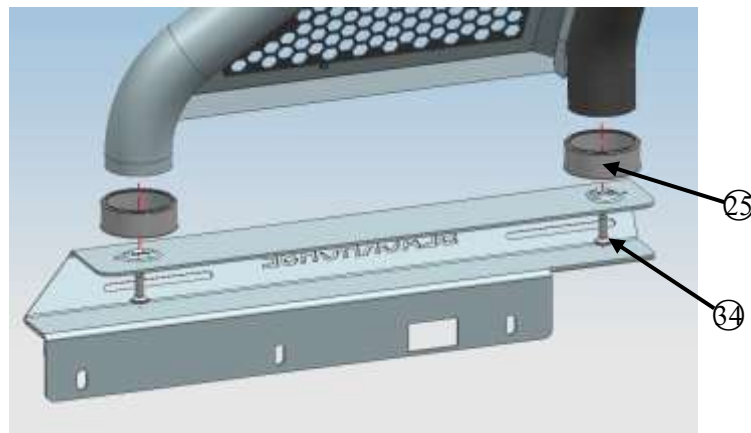


Step 5: Put 3 pcs ⑳ T bolt M10 and ⑳ 10mm Plastic Retainer into the truck rail chute, and then put mounting base on suitable position. Install the mounting base on truck rail with standard parts ㉑ ㉒ ㉓, as the following picture shown.

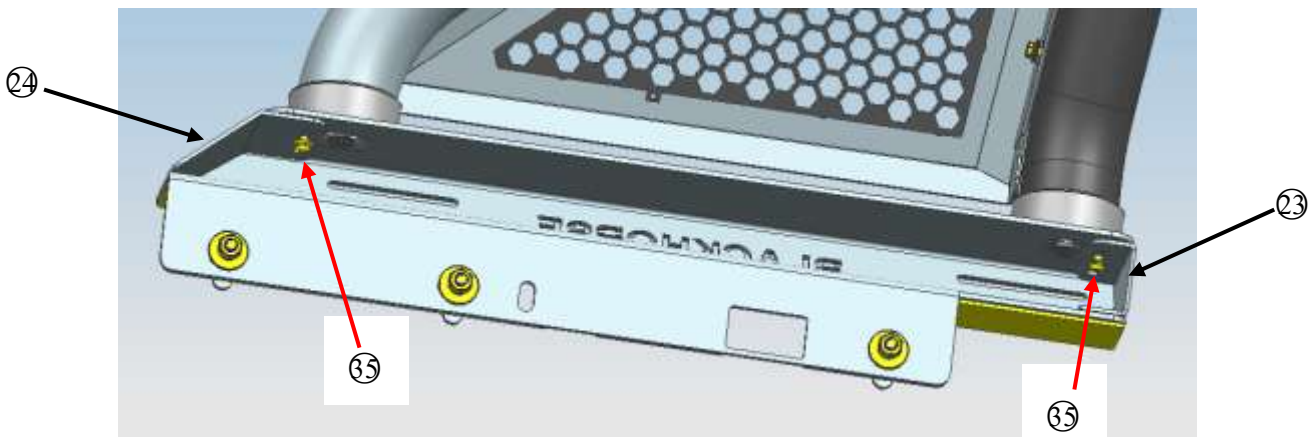
MODULAR TEXTURED BLACK CLASSIC PRO ROLL BAR WITH BRAKE LIGHT FOR JEEP GLADIATOR 20-22  
(COMPATIBLE WITH TONNEAU COVER BASE)



Step 6: Install the roll bar, mounting base and roll bar gum covers with standard part 34.



Step 7: Install the front and rear end cover with standard part 35, lock tighten all standard parts.  
Complete installation.



MODULAR TEXTURED BLACK CLASSIC PRO ROLL BAR WITH BRAKE LIGHT FOR JEEP GLADIATOR 20-22  
(COMPATIBLE WITH TONNEAU COVER BASE)



**NOTE**

Any damages and losses caused by improper installation and application, goes beyond our quality warranty.