



**BLACK HORSE  
OFF ROAD**

**TEL: 1-866-XANATOS**

## **INSTALLATION INSTRUCTIONS**

**EPIC RUNNING BOARD**

**2019-21 1500 CHEVY SILVERADO/GMC SIERRA DOUBLE CAB  
(INCLUDES DIESEL MODELS W/DEF & EXCLUDES 2019 SILVERADO 1500 LD  
& 2019 SIERRA 1500 LIMITED)**

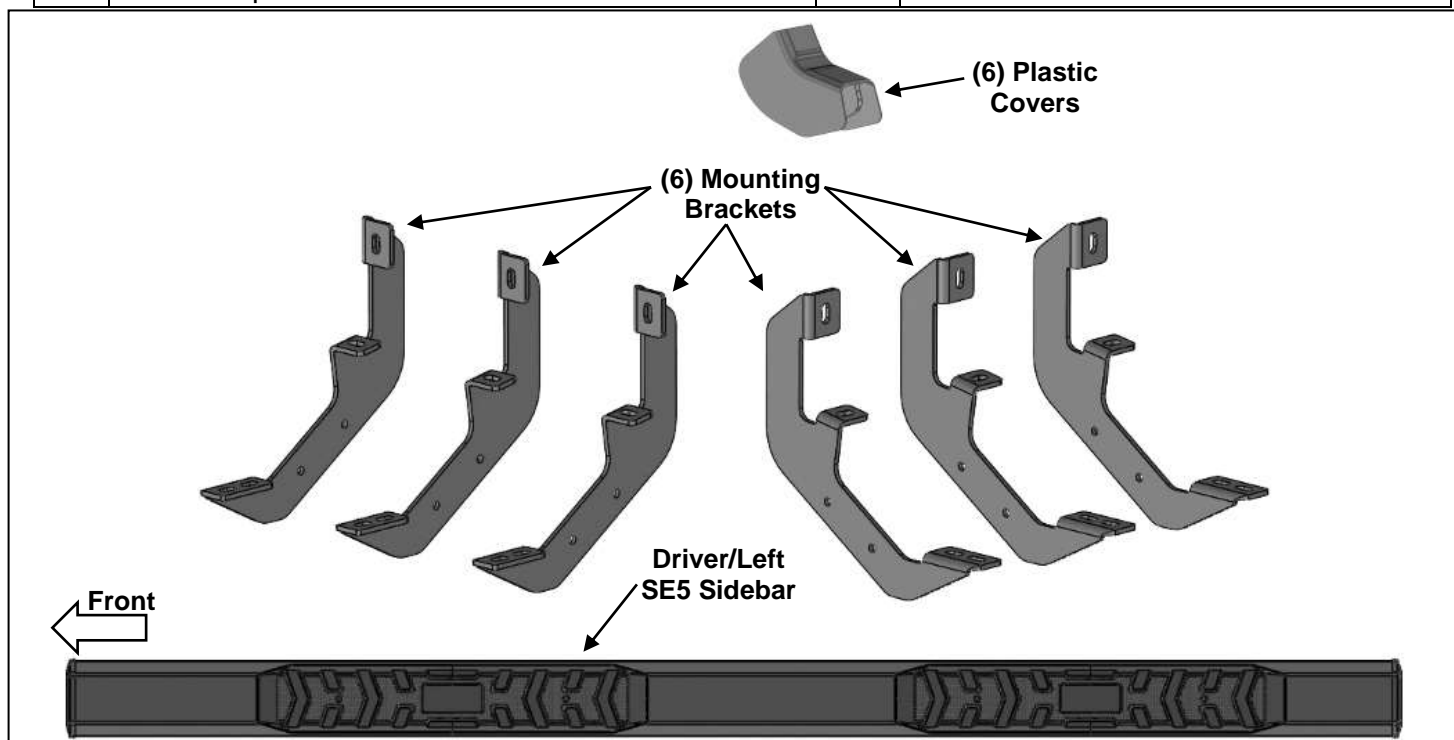
**20-21 CHEVY SILVERADO/GMC SIERRA 2500/3500 DOUBLE CAB  
(INCLUDES DIESEL MODELS W/DEF)**

**PART# E0379**

2019-21 1500 CHEVY SILVERADO/GMC SIERRA DOUBLE CAB  
 (INCLUDES DIESEL MODELS W/DEF & EXCLUDES 2019 SILVERADO 1500 LD & 2019 SIERRA 1500 LIMITED)  
 20-21 CHEVY SILVERADO/GMC SIERRA 2500/3500 DOUBLE CAB (INCLUDES DIESEL MODELS W/DEF)

**PARTS LIST:**

1	Driver/Left SE5 Sidebar	12	8mm x 30mm Hex Bolts
1	Passenger/Right SE5 Sidebar	12	8mm x 20mm T-Bolts
6	Mounting Brackets	24	8mm Lock Washers
6	Plastic Cover	24	8mm x 24mm OD x 2mm Flat Washers
12	Plastic Clips	12	8mm Hex Nuts

**PROCEDURE:**

**REMOVE CONTENTS FROM BOX. VERIFY ALL PARTS ARE PRESENT. READ INSTRUCTIONS CAREFULLY BEFORE STARTING INSTALLATION. ASSISTANCE IS RECOMMENDED.**

1. Start the installation under the Passenger/Right side of the vehicle. Locate the 4 plugs along the bottom edge of the body. Mounting Brackets will attach to the 1st, 2nd and 4th threaded mounting holes, **(Figures 1, 4 & 5)**. Remove the plastic plugs from each mounting location. Directly above each threaded hole is a top mounting location on the side of the body panel. Hold a Bracket up in place to help determine the mounting holes to use along the body. **NOTE:** Thread an 8mm Hex Bolt into the threaded holes to clear paint as required.
2. Select (1) Mounting Bracket. Attach the Mounting Bracket to the factory threaded holes with (2) 8mm Hex Bolts, (2) 8mm Lock Washers and (2) 8mm Flat Washers, **(Figure 2)**. Do not tighten hardware.
3. Select (1) Plastic Cover. Attach the Cover to the Mounting Bracket with (2) Plastic Clips, **(Figure 3)**.
4. Move along the body to the next mounting location. Repeat **Steps 1—3** to attach a Mounting Bracket to the 2nd (center) and rear mounting locations.
5. Select the Passenger/Right SE5 Sidebar. Insert (6) T-Bolts into the channels in the bottom of the Sidebar, (3) per channel, **(Figure 6)**. Attach the Sidebar to the Mounting Brackets with (6) 8mm Flat Washers, (6) 8mm Lock Washers and (6) 8mm Hex Nuts, **(Figure 7)**.
6. Level and adjust the Sidebar and fully tighten all hardware.
7. Repeat **Steps 1—6** to attach the Driver/Left Sidebar.
8. Do periodic inspections to the installation to make sure that all hardware is secure and tight.

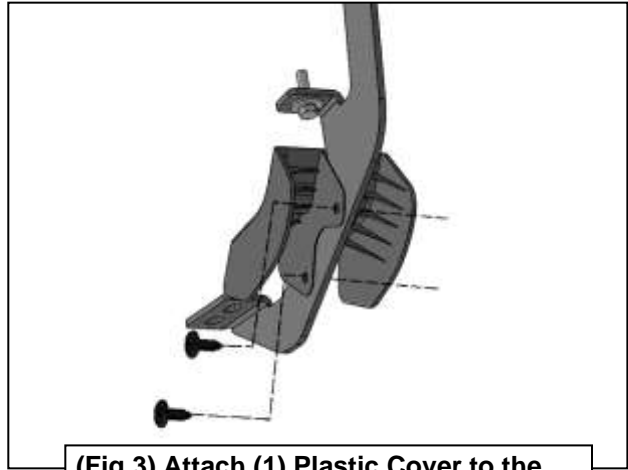
**To protect your investment,** Do not use any type of polish or wax that may contain abrasives that could damage the finish. Mild soap may be used also to clean Sidebars.

2019-21 1500 CHEVY SILVERADO/GMC SIERRA DOUBLE CAB  
(INCLUDES DIESEL MODELS W/DEF & EXCLUDES 2019 SILVERADO 1500 LD & 2019 SIERRA 1500 LIMITED)  
20-21 CHEVY SILVERADO/GMC SIERRA 2500/3500 DOUBLE CAB (INCLUDES DIESEL MODELS W/DEF)

**Passenger/Right side Installation Pictured**

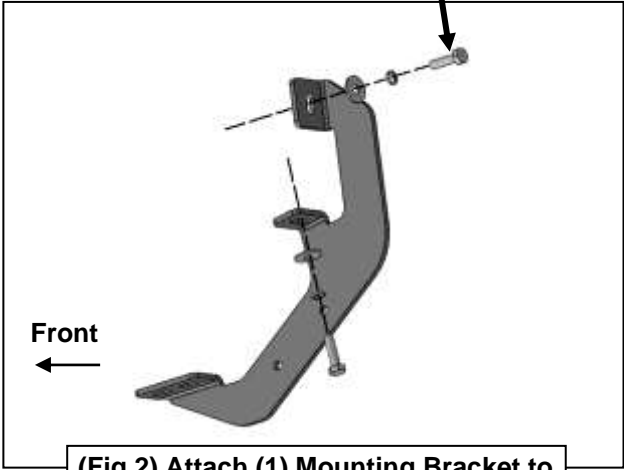


**(Fig 1) Remove plastic plugs (arrows) to uncover threaded holes in floor**

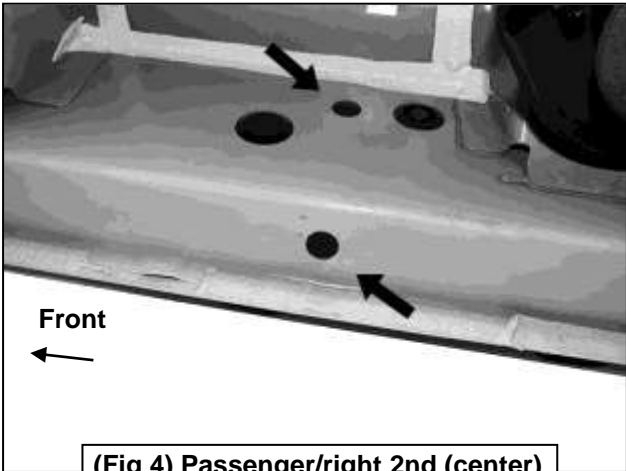


**(Fig 3) Attach (1) Plastic Cover to the Mounting Bracket with (2) Plastic Clips**

- (2) 8mm Hex Bolts
- (2) 8mm Lock Washers
- (2) 8mm Flat Washers



**(Fig 2) Attach (1) Mounting Bracket to the Passenger/Right front location**



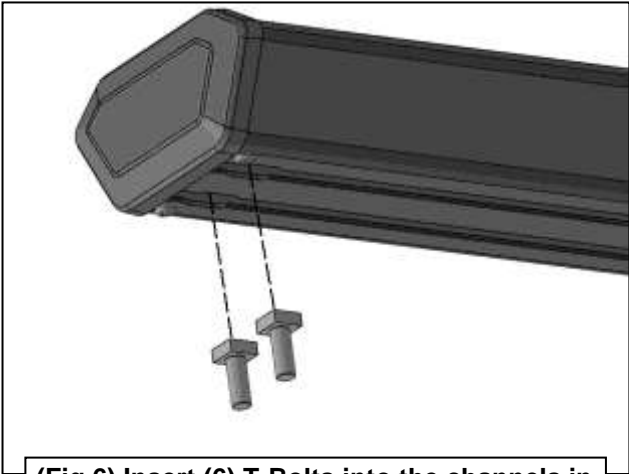
**(Fig 4) Passenger/right 2nd (center) mounting location**

2019-21 1500 CHEVY SILVERADO/GMC SIERRA DOUBLE CAB  
(INCLUDES DIESEL MODELS W/DEF & EXCLUDES 2019 SILVERADO 1500 LD & 2019 SIERRA 1500 LIMITED)  
20-21 CHEVY SILVERADO/GMC SIERRA 2500/3500 DOUBLE CAB (INCLUDES DIESEL MODELS W/DEF)

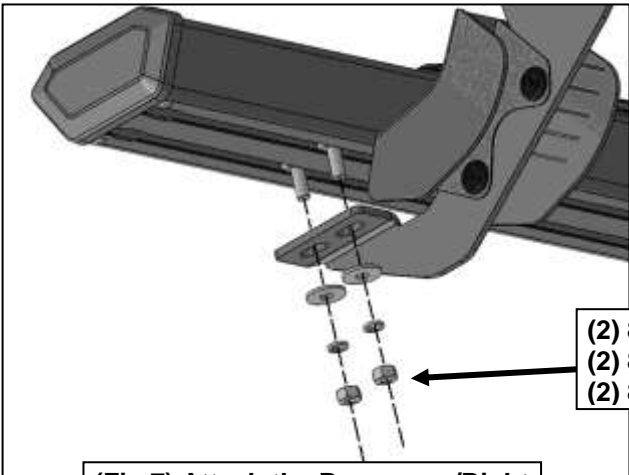
**Passenger/Right side Installation Pictured**



**(Fig 5) Passenger/right rear mounting location**



**(Fig 6) Insert (6) T-Bolts into the channels in the bottom of the Sidebar, (3) per channel**



- (2) 8mm Flat Washers
- (2) 8mm Lock Washers
- (2) 8mm Hex Nuts

**(Fig 7) Attach the Passenger/Right Sidebar to the Mounting Brackets**