



**BLACK HORSE  
OFF ROAD**

**TEL: 1-866-XANATOS**

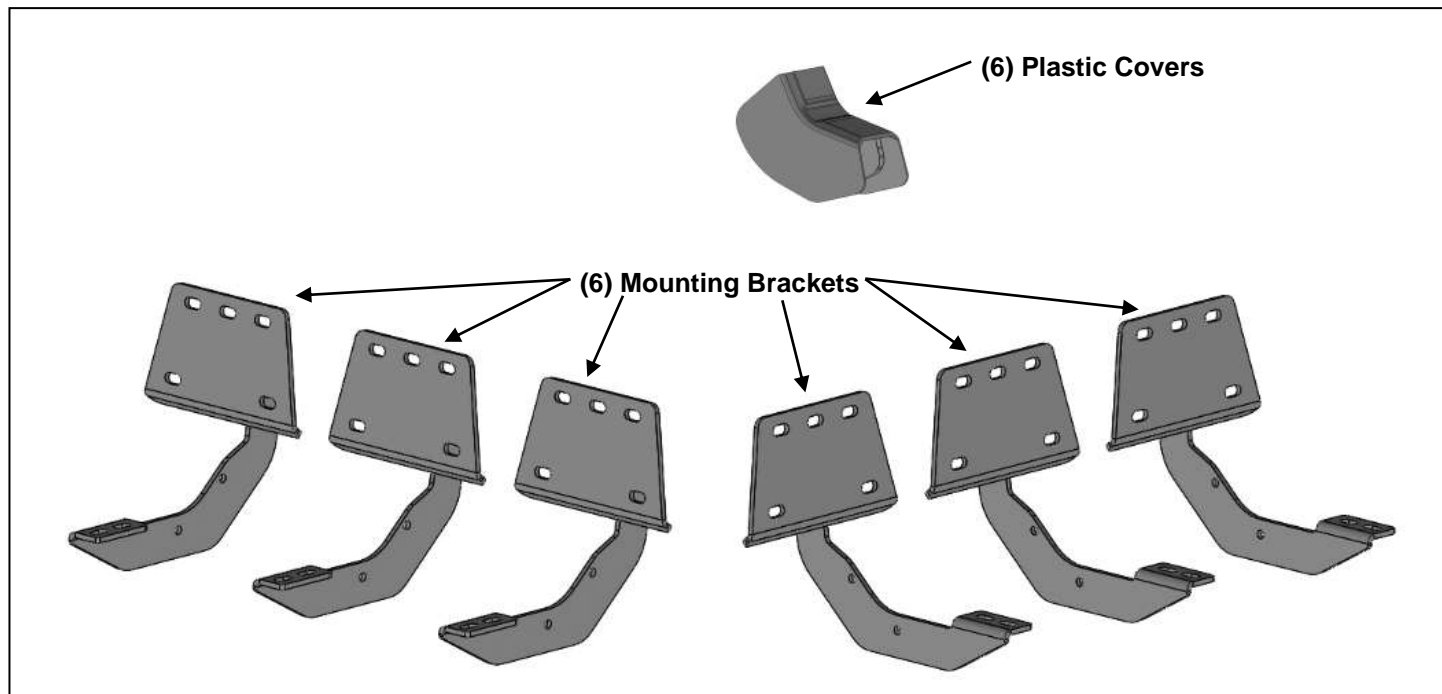
## **INSTALLATION INSTRUCTIONS**

**EPIC RUNNING BOARD  
2019-21 DODGE RAM 1500 CREW CAB (Excl. 19-21  
Ram 1500 Classic)**

**PART# E0785**

**PARTS LIST:**

2	SE5 Sidebars	30	8mm x 24mm OD x 2mm Flat Washers
6	Mounting Brackets	12	8mm Lock Washers
6	Plastic Covers	12	8mm Hex Nuts
12	Plastic Clips	18	8mm nylon Lock Nuts
12	8mm x 20mm T-Bolts		

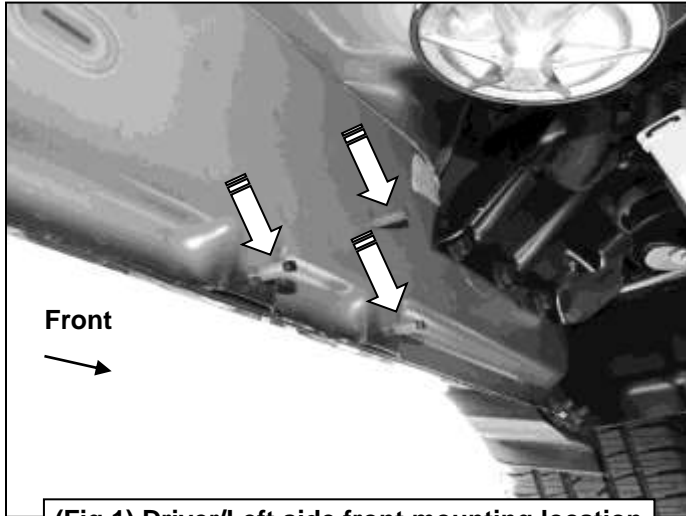
**PROCEDURE:**

**REMOVE CONTENTS FROM BOX. VERIFY ALL PARTS ARE PRESENT. READ INSTRUCTIONS CAREFULLY BEFORE STARTING INSTALLATION. ASSISTANCE IS RECOMMENDED.**

1. Start the installation under the Driver/Left side of the vehicle. Locate the front (3) factory studs along the inner side of the body panel, **(Figure 1)**. **NOTE:** Clean threads on the studs first before installing Brackets to remove paint buildup.
2. Select (1) Driver/Left Mounting Bracket. Attach the Mounting Bracket to the (3) factory studs with (3) 8mm Flat Washers and (3) 8mm Nylon Lock Nuts, **(Figure 2)**. Leave brackets loose at this time.
3. Select (1) Plastic Cover. Attach the Cover to the Mounting Bracket with (2) Plastic Clips, **(Figure 3)**.
4. Repeat **Steps 1—3** to attach (2) Mounting Brackets to the center and rear mounting locations along the body panel, **(Figures 4 & 5)**.
5. Select (1) SE5 Sidebar. Insert (6) T-Bolts into the channels in the bottom of the Sidebar, (3) per channel, **(Figure 6)**. Attach the Sidebar to the Mounting Brackets with (6) 8mm Flat Washers, (6) 8mm Lock Washers and (6) 8mm Hex Nuts, **(Figure 7)**.
6. Level and adjust the Running Board as necessary and fully tighten all hardware.
7. Repeat **Steps 1—6** to attach (1) Sidebar to the Passenger/Right side.
8. Do periodic inspections to the installation to make sure that all hardware is secure and tight.

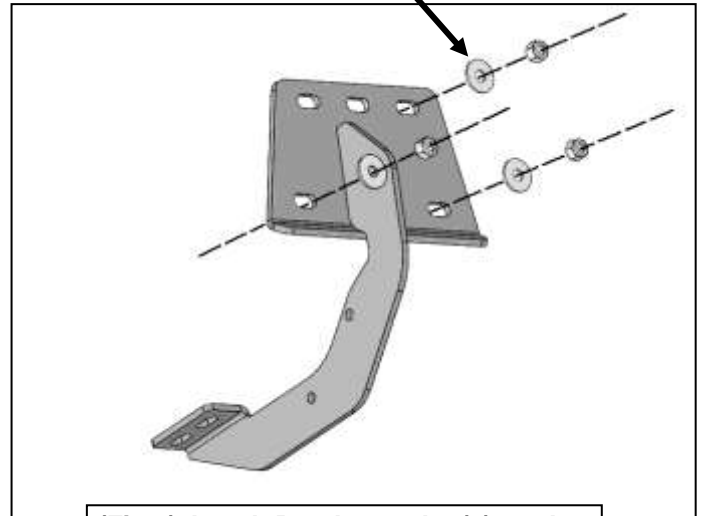
**To protect your investment,** Do not use any type of polish or wax that may contain abrasives that could damage the finish. Mild soap may be used also to clean the Sidebars.

Driver/Left Side Installation Pictured

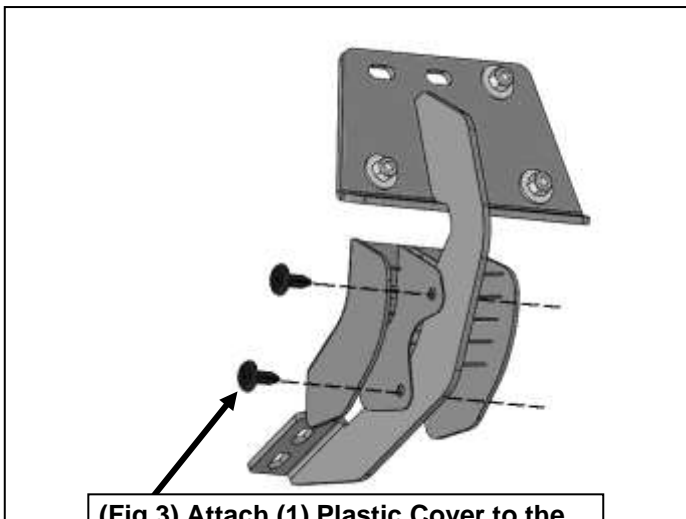


(Fig 1) Driver/Left side front mounting location

(3) 8mm Flat Washers  
(3) 8mm Nylon Lock Nuts



(Fig 2) Attach Bracket to the (3) studs

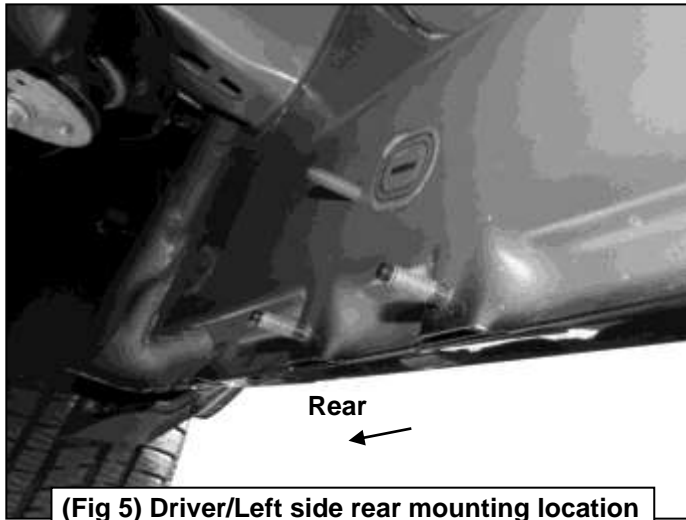


(Fig 3) Attach (1) Plastic Cover to the Mounting Bracket with (2) Plastic Clips

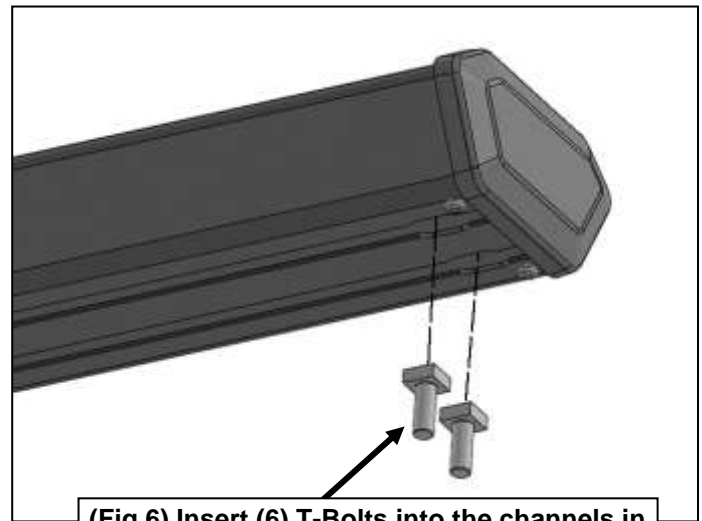


(Fig 4) Driver/Left side center mounting location

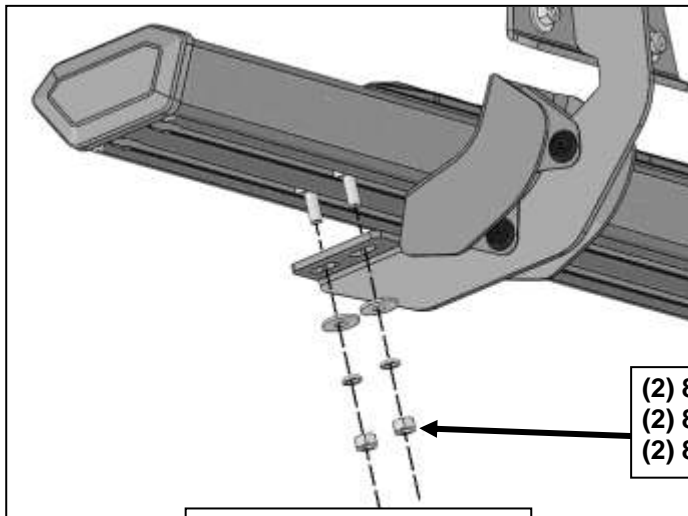
2019-21 DODGE RAM 1500 CREW CAB (Excl. 19-21 Ram 1500 Classic)  
Driver/Left Side Installation Pictured



(Fig 5) Driver/Left side rear mounting location



(Fig 6) Insert (6) T-Bolts into the channels in the bottom of the Sidebar, (3) per channel



- (2) 8mm Flat Washers
- (2) 8mm Lock Washers
- (2) 8mm Hex Nuts

(Fig 7) Attach (1) Sidebar to the Mounting Brackets