



TEL: 1-866-XANATOS

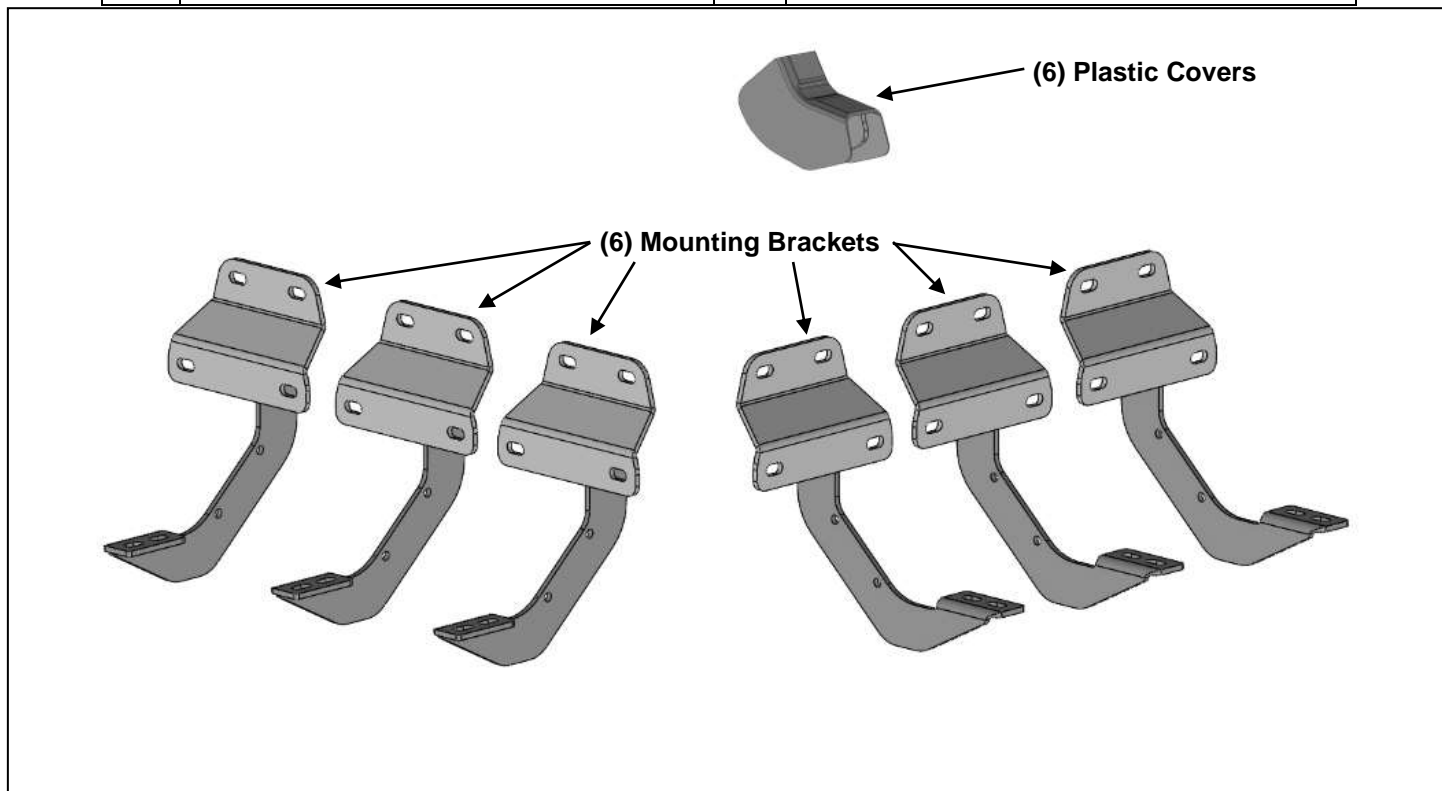
INSTALLATION INSTRUCTIONS

**EPIC RUNNING BOARD
2015-21 FORD F150, 2017-21 F250-550 SUPER CREW CAB**

PART# E1191

PARTS LIST:

2	SE5 Sidebars	30	8mm x 24mm OD x 2mm Flat Washers
6	Mounting Brackets	12	8mm Lock Washers
6	Plastic Covers	12	8mm Hex Nuts
12	Plastic Clips	18	8mm Nylon Lock Nuts
12	8mm x 20mm T-Bolts	18	8mm Plastic Washers



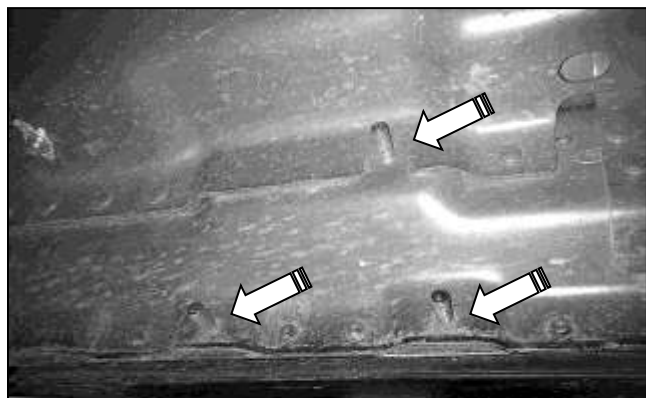
PROCEDURE:

REMOVE CONTENTS FROM BOX. VERIFY ALL PARTS ARE PRESENT. READ INSTRUCTIONS CAREFULLY. ASSISTANCE IS RECOMMENDED.

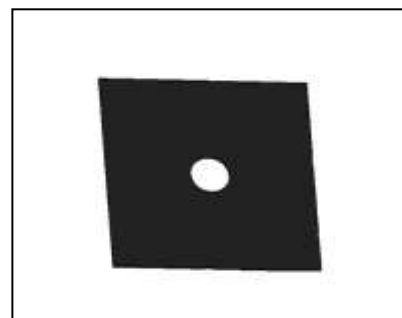
1. Start the installation under the Passenger/Right side of the vehicle. Locate the front factory running board mounting location along the inner side of the body, **(Figure 1)**. Use a wire brush or thread chaser die to remove excess paint and/or undercoating from all studs.
2. Slide (1) Plastic Washer over each of the (3) factory mounting studs in the body panel, **(Figures 2—4)**. **IMPORTANT:** The Plastic Washers are designed to prevent corrosion between the aluminum body panel and the steel mounting brackets. **Do not install the Brackets without the Plastic Washers.**
3. Select (1) Bracket, **(Figure 4)**. **NOTE:** The Brackets are universal and can be installed in all locations. Attach the Bracket to the studs with (3) 8mm Flat Washers and (6) 8mm Nylon Lock Nuts, **(Figure 4)**. Do not tighten hardware at this time.
4. Select (1) Plastic Cover. Attach the Cover to the Mounting Bracket with (2) Plastic Clips, **(Figure 5)**.
5. Repeat **Steps 3 & 4** to attach (2) Mounting Brackets to the center and rear locations.
6. Select (1) SE5 Sidebar. Insert (6) T-Bolts into the channels in the bottom of the Sidebar, (3) per channel, **(Figure 6)**. Attach the Sidebar to the Mounting Brackets with (6) 8mm Flat Washers, (6) 8mm Lock Washers and (6) 8mm Hex Nuts, **(Figure 7)**.
7. Level and adjust the Sidebar and tighten all hardware.
8. Repeat **Steps 1—7** to attach (1) Sidebar to the Driver/Left side.
9. Do periodic inspections to the installation to make sure that all hardware is secure and tight.

To protect your investment, Do not use any type of polish or wax that may contain abrasives that could damage the finish. Use only mild soap to clean the Sidebar.

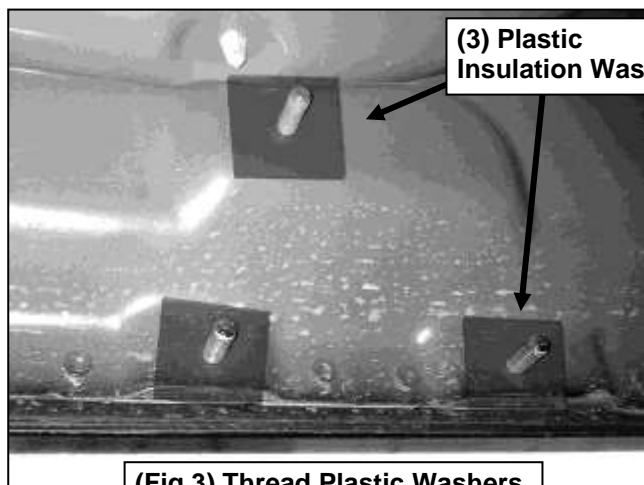
Passenger/right Side Installation Pictured



(Fig 1) Example of typical mounting location

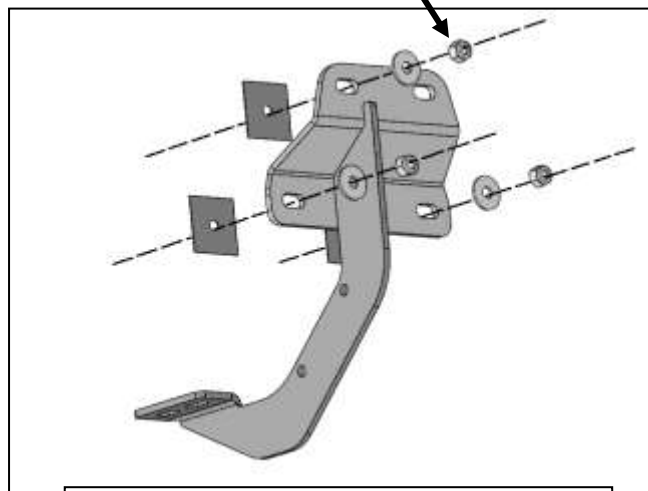


(Fig 2) Plastic Insulation Washer



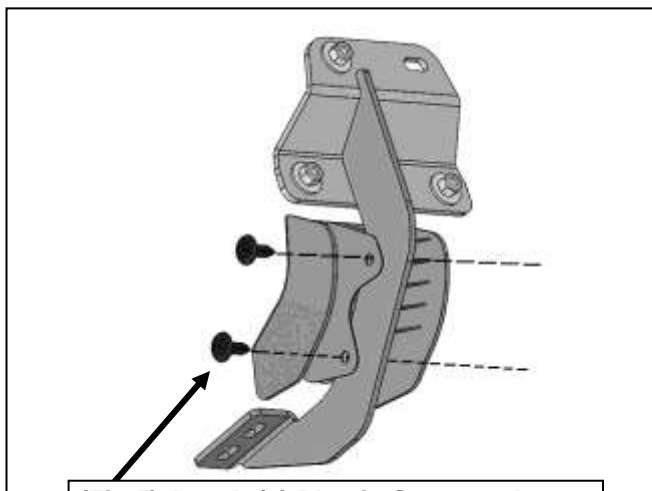
(Fig 3) Thread Plastic Washers onto all mounting studs

- (3) 8mm Plastic Washers
- (3) 8mm Flat Washers
- (3) 8mm Nylon Lock Nuts

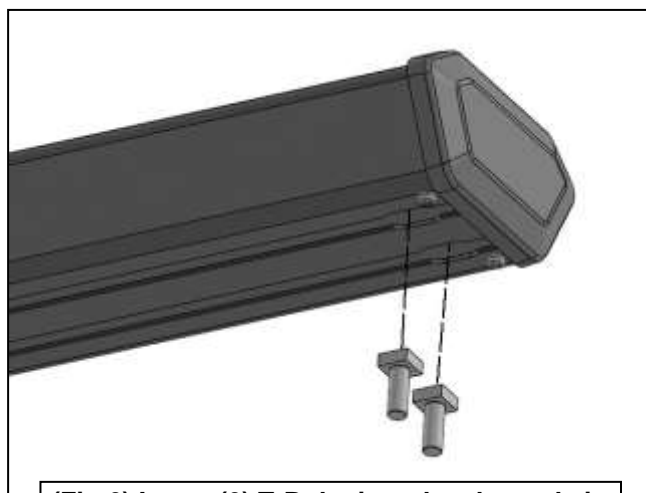


(Fig 4) Attach Bracket to mounting studs

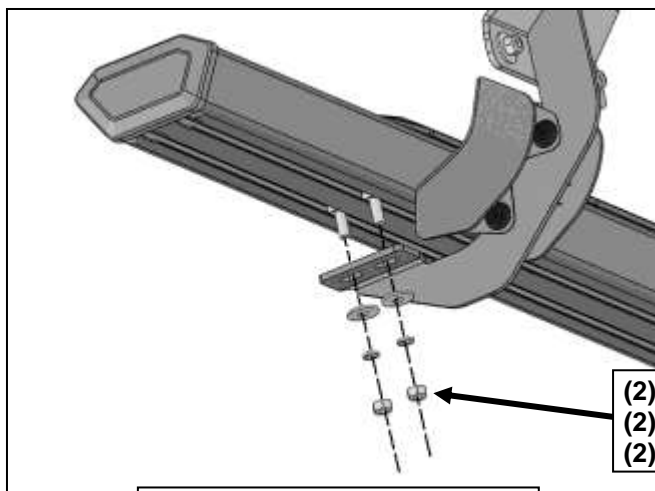
Passenger/right Side Installation Pictured



(Fig 5) Attach (1) Plastic Cover to the Mounting Bracket with (2) Plastic Clips



(Fig 6) Insert (6) T-Bolts into the channels in the bottom of the Sidebar, (3) per channel



- (2) 8mm Flat Washers**
- (2) 8mm Lock Washers**
- (2) 8mm Hex Nuts**

(Fig 7) Attach (1) SE5 Sidebar to the Mounting Brackets