



**BLACK HORSE
OFF ROAD**

TEL: 1-866-XANATOS

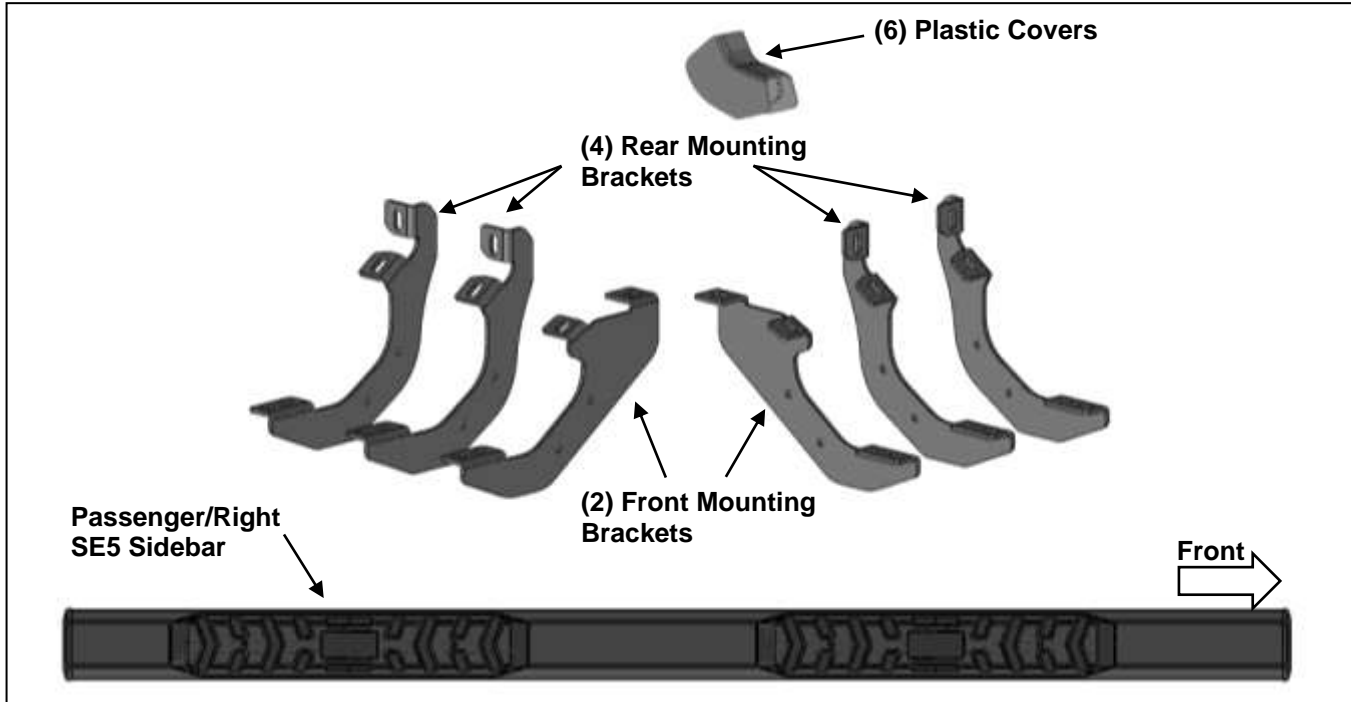
INSTALLATION INSTRUCTIONS

**EPIC RUNNING BOARD
2019-21 FORD RANGER SUPER CAB 4DR**

PART# E1269

PARTS LIST:

1	Driver/Left SE5 Sidebar	12	10mm Lock Washers
1	Passenger/Right SE5 Sidebar	12	10mm x 27mm OD x 3mm Flat Washers
2	Front Mounting Brackets	12	8mm x 20mm T-Bolts
4	Rear Mounting Brackets	12	8mm x 24mm OD x 2mm Flat Washers
6	Plastic Covers	12	8mm Lock Washers
12	Plastic Clips	12	8mm Hex Nuts
12	10mm x 25mm Hex Bolts		



PROCEDURE:

- 1. REMOVE CONTENTS FROM BOX. VERIFY ALL PARTS ARE PRESENT. READ INSTRUCTIONS CAREFULLY BEFORE STARTING INSTALLATION.**
- Starting from underneath the Passenger/Right body panel, locate the front mounting location and the threaded holes in the body panel, **(Figure 1)**. Remove the plastic plugs covering the holes.
- Select the Passenger/Right Front Mounting Bracket. Attach the Mounting Bracket to the front location with (2) 10mm Hex Bolts, (2) 10mm Lock Washers and (2) 10mm Flat Washers, **(Figure 2)**. Do not tighten hardware.
- Select (1) Plastic Cover. Attach the Cover to the Mounting Bracket with (2) Plastic Clips, **(Figure 3)**.
- Repeat **Steps 2—4** to attach (2) Rear Mounting Brackets to the center and rear locations, **(Figures 4 & 5)**. Do not tighten hardware.
- Select the Passenger/Right SE5 Sidebar. Insert (6) T-Bolts into the channel in the bottom of the Sidebar, (3) per channel, **(Figure 6)**. Attach the Sidebar to the Mounting Brackets with (6) 8mm Flat Washers, (6) 8mm Lock Washers and (6) 8mm Hex Nuts, **(Figure 7)**. Do not tighten hardware.
- Repeat **Step 5** to insert (2) 8mm Bolt/Nut Plates into the center and rear mounting tabs.
- Level and adjust the Sidebar and tighten all hardware.
- Repeat **Steps 1—8** to attach the Driver/Left SE5 Sidebar.
- Do periodic inspections to the installation to make sure that all hardware is secure and tight.

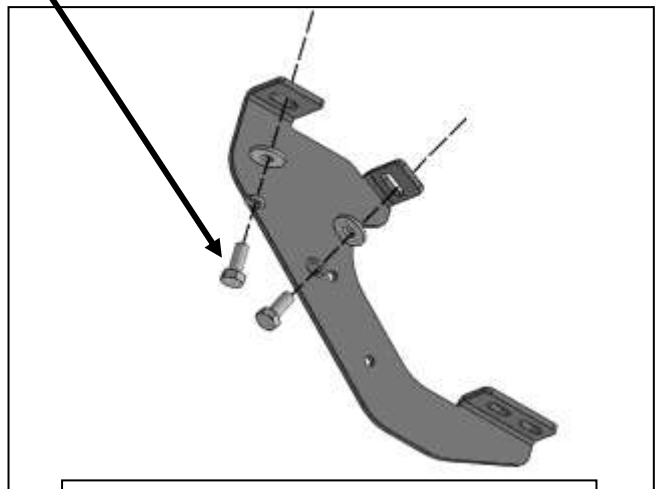
To protect your investment, Do not use any type of polish or wax that may contain abrasives that could damage the finish. Mild soap may be used to clean the Sidebars.

Passenger/Right side Installation Pictured

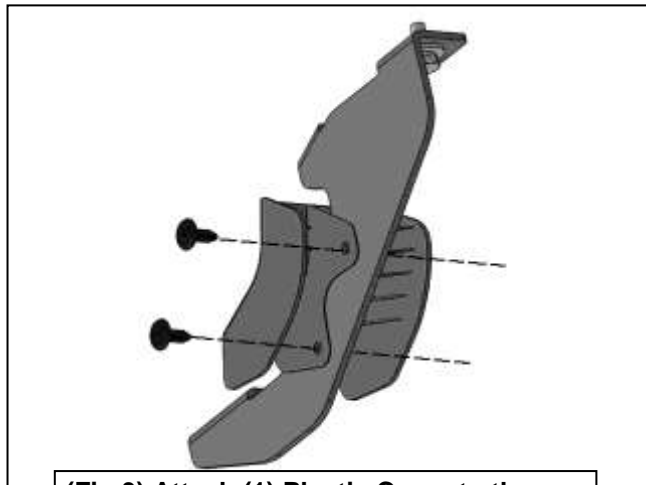


(Fig 1) Passenger/Right front mounting location

- (2) 10mm Hex Bolts
- (2) 10mm Lock Washers
- (2) 10mm Flat Washers

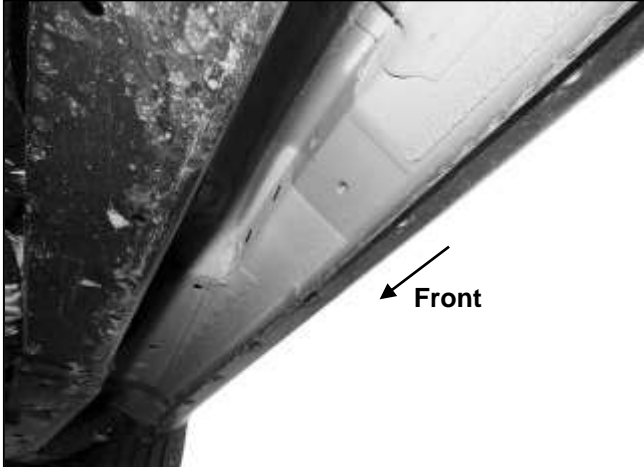


(Fig 2) Attach the Passenger/Right Front Mounting Bracket to the front location

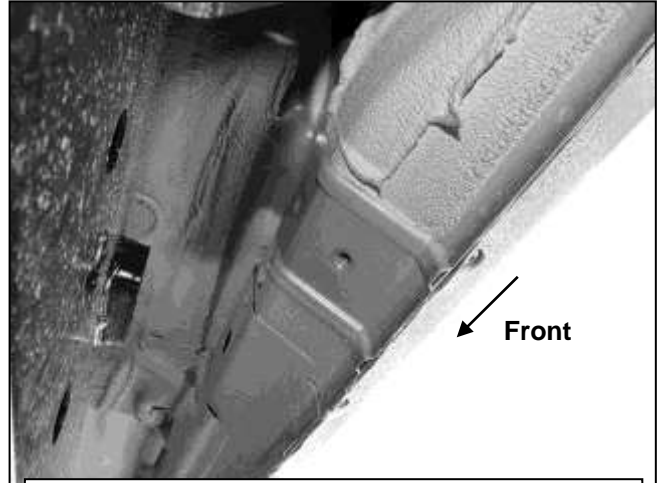


(Fig 3) Attach (1) Plastic Cover to the Mounting Bracket with (2) Plastic Covers

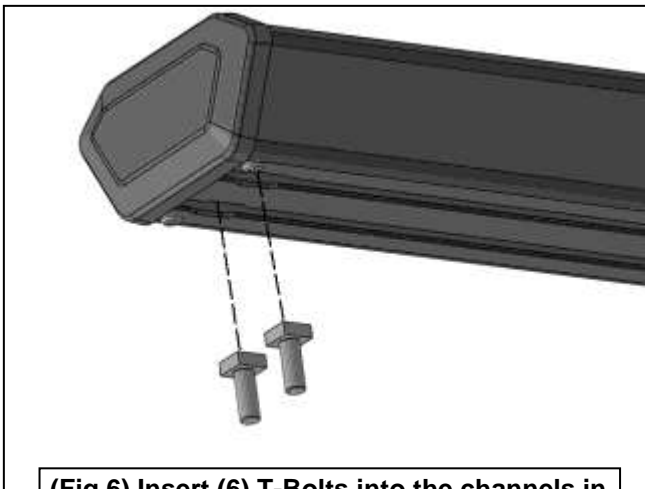
Passenger/Right side Installation Pictured



(Fig 4) Passenger/Right center mounting location

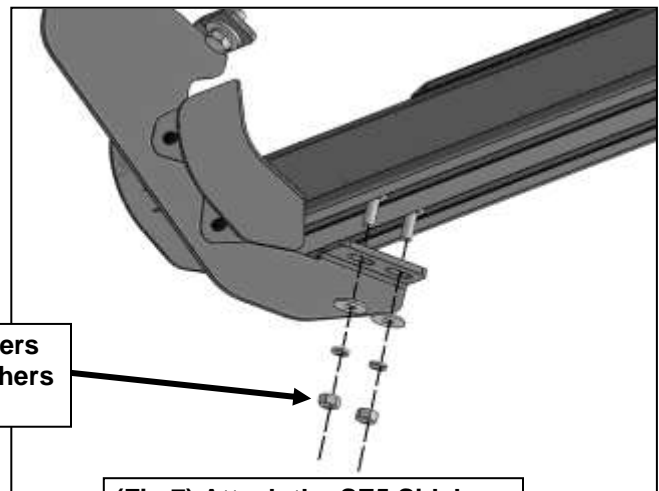


(Fig 5) Passenger/Right rear mounting location



(Fig 6) Insert (6) T-Bolts into the channels in the bottom of the Sidebar, (3) per channel

- (2) 8mm Flat Washers
- (2) 8mm Lock Washers
- (2) 8mm Hex Nuts



(Fig 7) Attach the SE5 Sidebar to the Mounting Brackets