



**BLACK HORSE  
OFF ROAD**

**TEL: 1-866-XANATOS**

## **INSTALLATION INSTRUCTIONS**

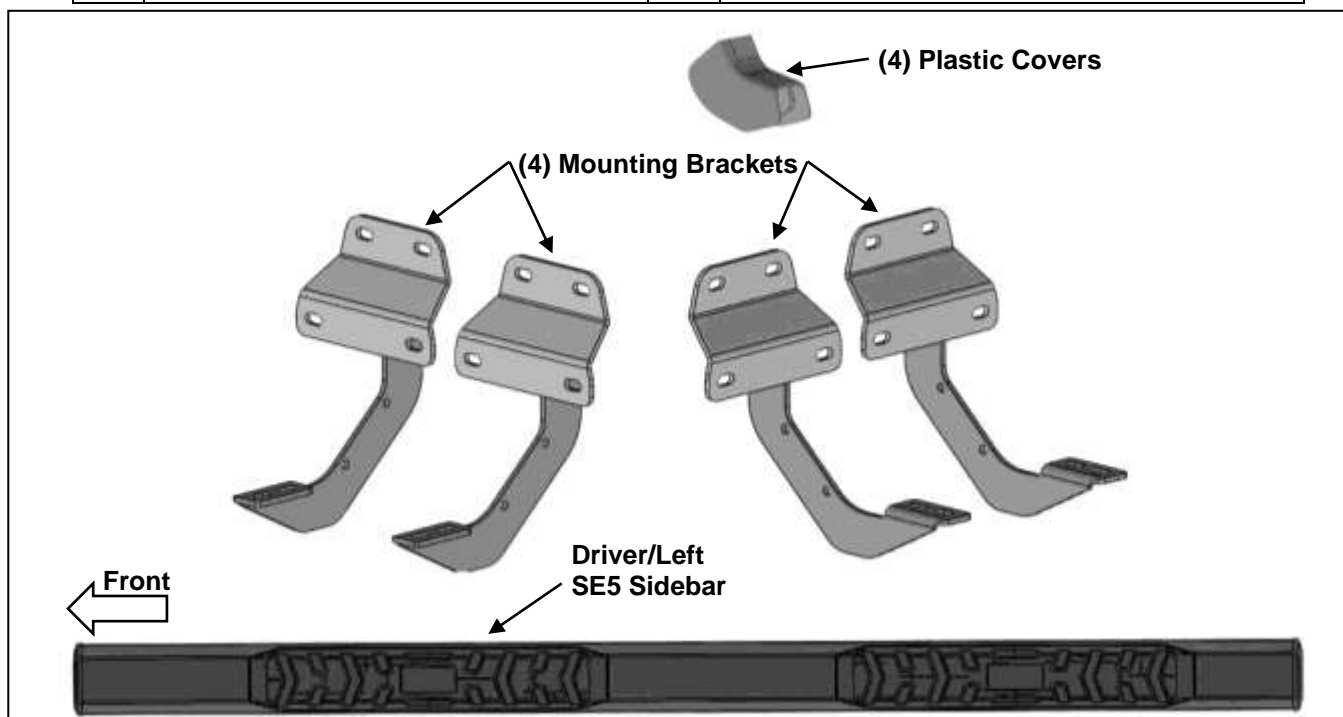
**EPIC RUNNING BOARDS**

**2015-21 FORD F150 SUPER CAB  
2017-21 FORD F250/350/450/550 SUPER DUTY SUPER CAB**

**PART# E1379**

## PARTS LIST:

1	Driver/Left SE5 Sidebar	8	8mmx 20mm T-Bolts
1	Passenger/Right SE5 Sidebar	20	8mm x 24mm OD x 2mm Flat Washers
4	Mounting Brackets	8	8mm Lock Washers
4	Plastic Covers	8	8mm Hex Nuts
8	Plastic Clips	12	8mm Nylon Lock Nuts
12	8mm Plastic Washers		



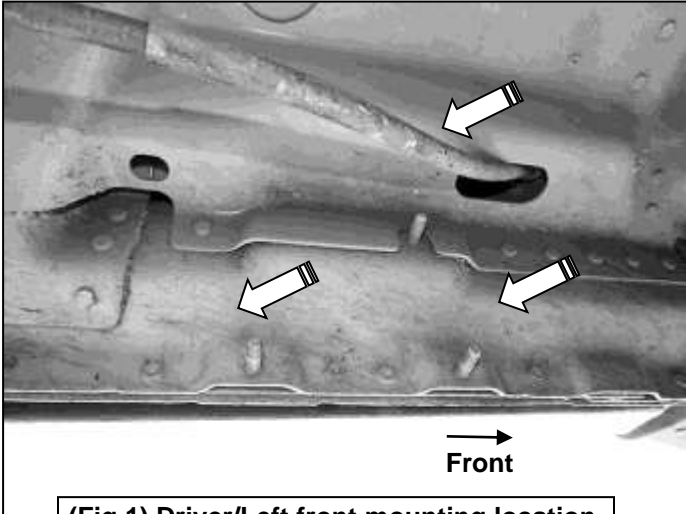
## PROCEDURE:

**REMOVE CONTENTS FROM BOX. VERIFY ALL PARTS ARE PRESENT. READ INSTRUCTIONS CAREFULLY BEFORE STARTING INSTALLATION. ASSISTANCE IS RECOMMENDED.**

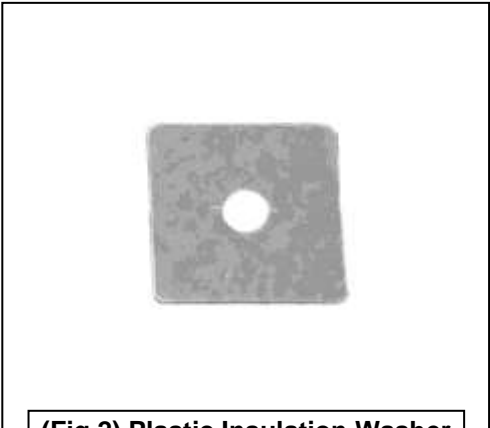
1. Start the installation under the Driver/Left side of the vehicle. Locate the front mounting location along the inner side of the body, **(Figure 1)**.
2. Slide (1) Plastic Washer over each of the (3) factory mounting studs in the body panel, **(Figures 2 & 3)**. **IMPORTANT:** The Plastic Washers are designed to prevent corrosion between the aluminum body panel and the steel mounting brackets. **Do not install the Brackets without the Plastic Washers.**
3. Select (1) Mounting Bracket. **NOTE:** All (4) Brackets are universal and will fit left or right side. Attach the Mounting Bracket to the (3) factory studs with (3) 8mm Flat Washers and (3) 8mm Nylon Lock Nuts, **(Figure 4)**. Leave brackets loose at this time.
4. Select (1) Plastic Cover. Attach the Cover to the Mounting Bracket with (2) Plastic Clips, **(Figure 5)**.
5. Repeat **Steps 1—4** to attach (1) Mounting Bracket to the rear location, **(Figure 6)**.
6. Select the Driver/Left SE5 Sidebar. Insert (4) T-Bolts into the channels in the bottom of the Sidebar, (2) per channel, **(Figure 7)**. Attach Sidebar to the Mounting Brackets with (4) 8mm Flat Washers, (4) 8mm Lock Washers and (4) 8mm Hex Nuts, **(Figure 8)**. Do not tighten hardware at this time.
7. Level and adjust the Sidebar and tighten all hardware.
8. Repeat **Steps 1—7** to attach the Passenger/Right SE5 Sidebar.
9. Do periodic inspections to the installation to make sure that all hardware is secure and tight.

**To protect your investment,** Do not use any type of polish or wax that may contain abrasives that could damage the finish. Mild soap may be used to clean the Sidebars.

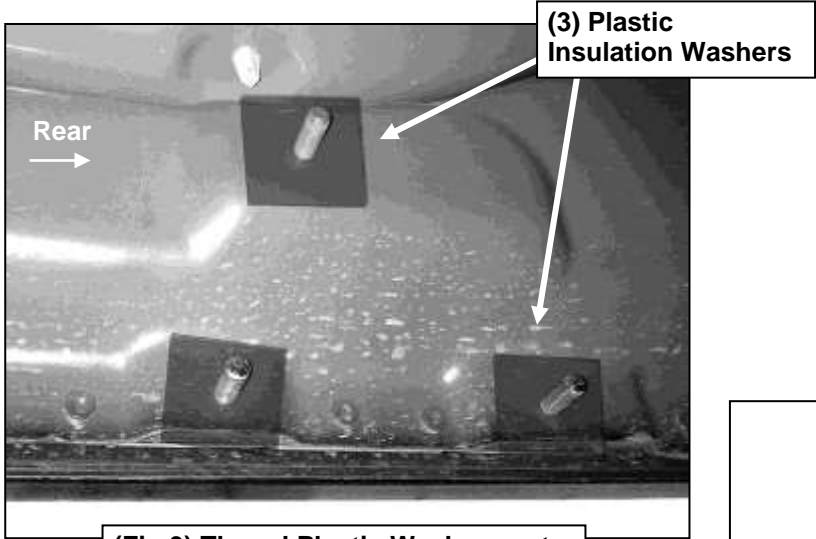
**Driver/Left Side Installation Pictured**



**(Fig 1) Driver/Left front mounting location**

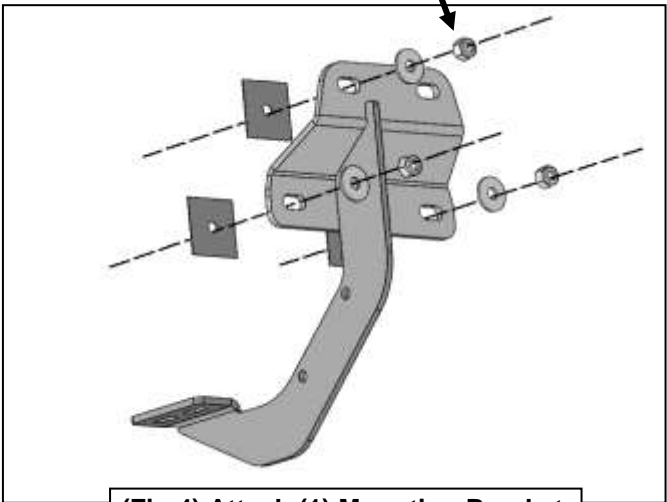


**(Fig 2) Plastic Insulation Washer**



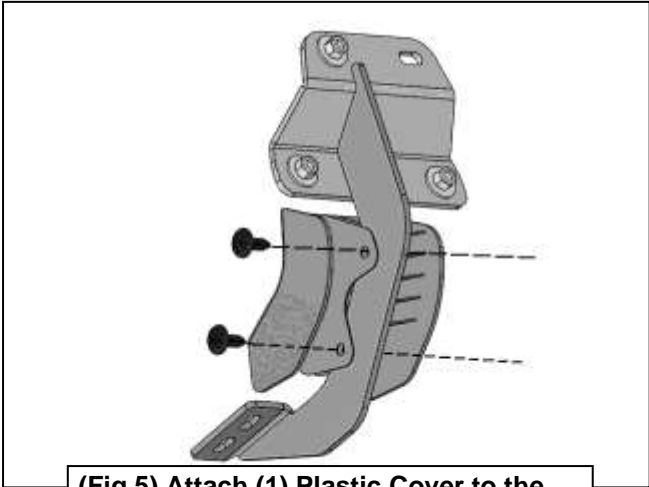
**(Fig 3) Thread Plastic Washers onto all mounting studs. (Passenger side rear mounting location pictured)**

- (3) 8mm Plastic Washers**
- (3) 8mm Flat Washers**
- (3) 8mm Nylon Lock Nuts**

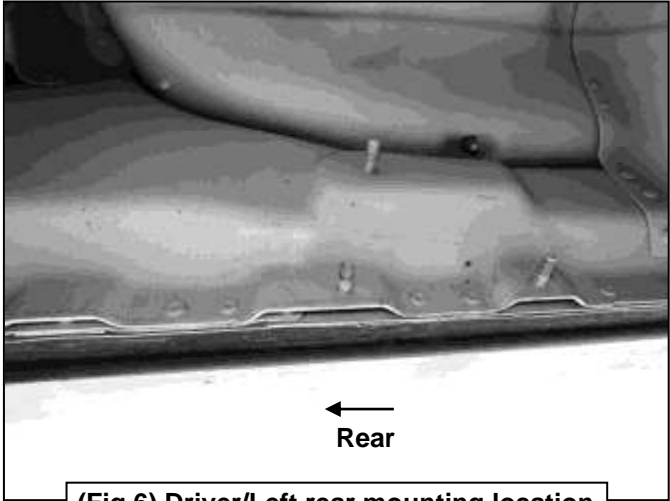


**(Fig 4) Attach (1) Mounting Bracket to the front mounting location**

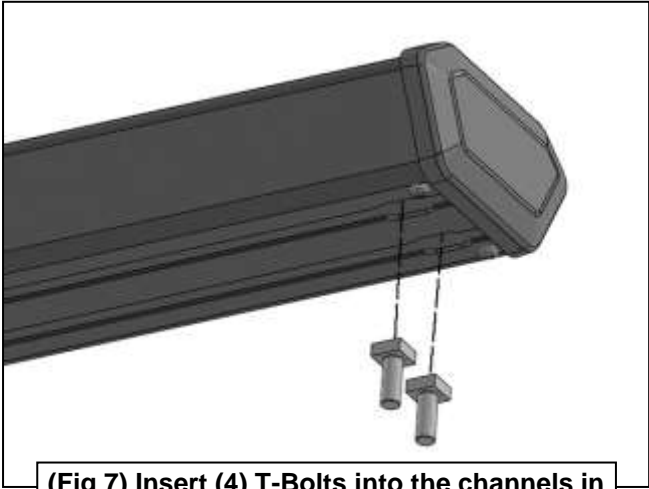
**Driver/Left Side Installation Pictured**



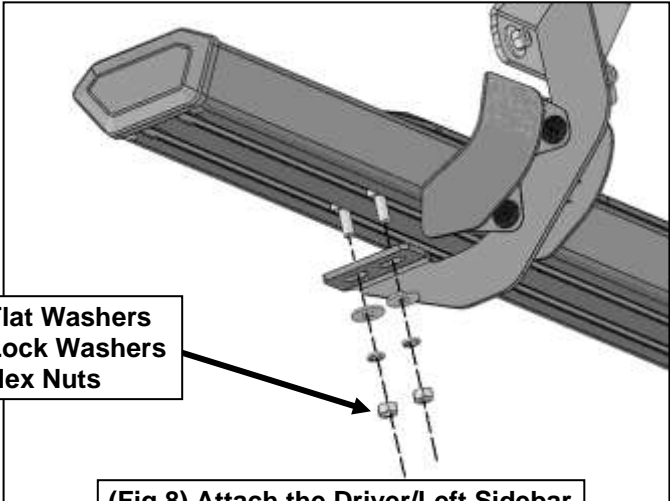
**(Fig 5) Attach (1) Plastic Cover to the Mounting Bracket with (2) Plastic Clips**



**(Fig 6) Driver/Left rear mounting location**



**(Fig 7) Insert (4) T-Bolts into the channels in the bottom of the Sidebar, (2) per channel**



- (2) 8mm Flat Washers
- (2) 8mm Lock Washers
- (2) 8mm Hex Nuts

**(Fig 8) Attach the Driver/Left Sidebar to the Mounting Brackets**