



**BLACK HORSE
OFF ROAD**

TEL: 1-866-XANATOS

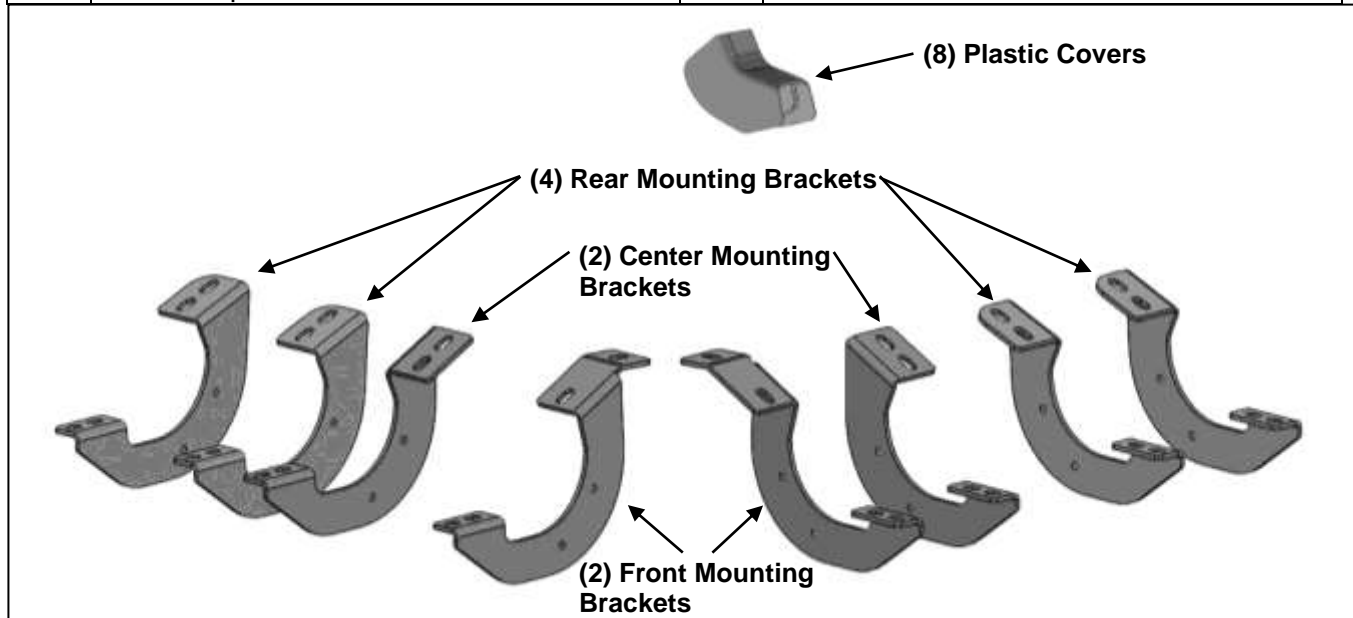
INSTALLATION INSTRUCTIONS

**EPIC RUNNING BOARD
07-21 TOYOTA TUNDRA CREWMAX**

PART# E2291

PARTS LIST:

2	SE5 Sidebars	16	8mm x 30mm Hex Bolts
2	Front Mounting Brackets	16	8mm x 20mm T-Bolts
2	2nd Mounting Brackets	32	8mm Lock Washers
4	Rear Mounting Brackets	32	8mm x 24mm OD x 2mm Flat Washers
8	Plastic Covers	16	8mm Hex Nuts
16	Plastic Clips		

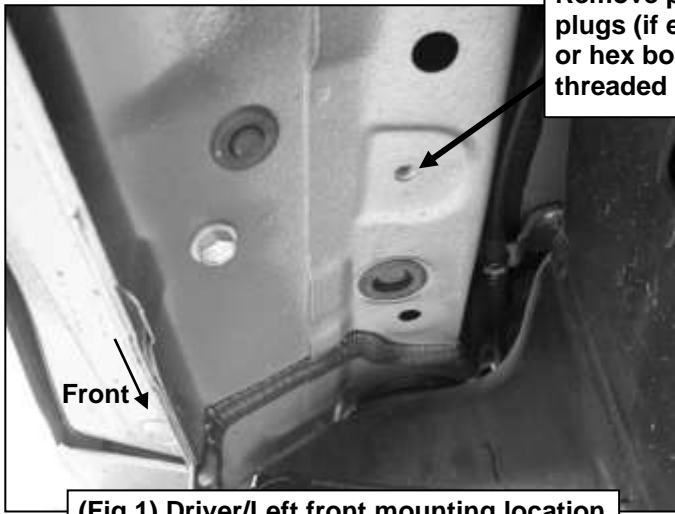


PROCEDURE:

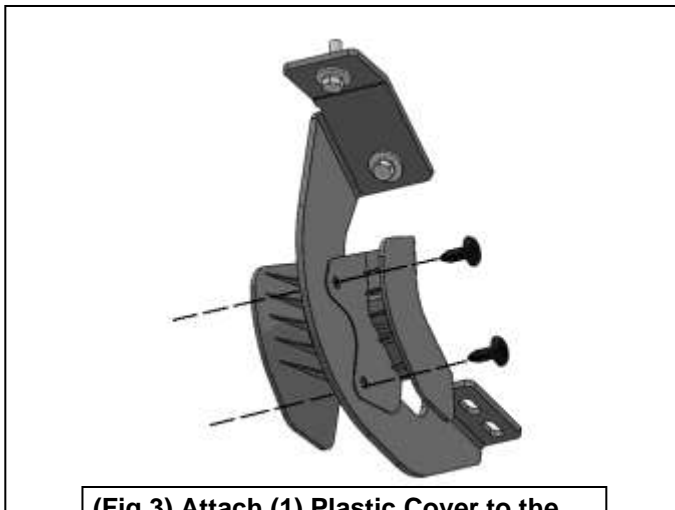
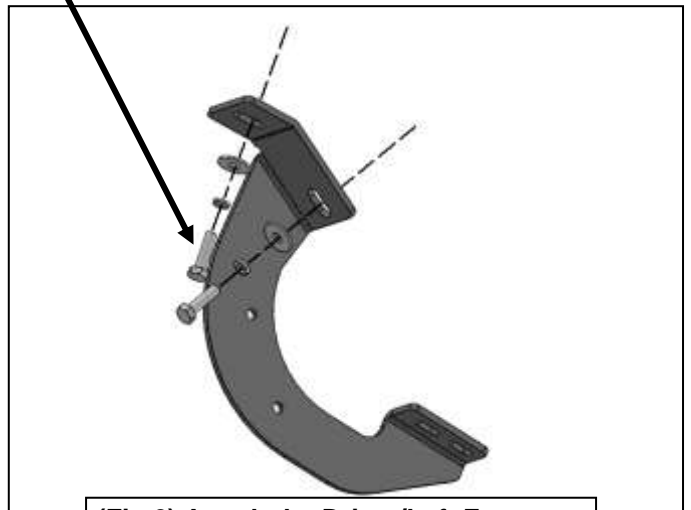
- 1. REMOVE CONTENTS FROM BOX. VERIFY ALL PARTS ARE PRESENT. READ INSTRUCTIONS CAREFULLY. ASSISTANCE IS HIGHLY RECOMMENDED.**
- Starting on the Driver/Left side of the vehicle and remove the plastic plugs or hex bolts from the factory mounting location along the bottom of the body, **(Figures 1 & 4)**.
- Select (1) Front Mounting Bracket. Attach the Bracket to the front location with (2) 8mm Hex Bolts, (2) 8mm Lock Washers and (2) 8mm Flat Washers, **(Figure 2)**. Do not tighten hardware.
- Select (1) Plastic Cover. Attach the Cover to the Mounting Bracket with (2) Plastic Clips, **(Figure 3)**.
- Repeat **Steps 2—4** to attach (1) 2nd and (2) Rear Mounting Brackets, **(Figures 4 & 5)**.
- Select (1) SE5 Sidebar. Insert (8) T-Bolts into the channels in the bottom of the Sidebar, (4) per channel, **(Figure 6)**. Attach Sidebar to the Mounting Brackets with (8) 8mm Flat Washers, (8) *mm Lock Washers and (8) 8mm hex Nuts, **(Figure 7)**. Do not tighten hardware.
- Level and adjust the Sidebar and tighten all hardware.
- Repeat **Steps 1—7** to attach (1) SE5 Sidebar to the passenger/Right Side.
- Do periodic inspections to the installation to make sure that all hardware is secure and tight.

To protect your investment, Do not use any type of polish or wax that may contain abrasives that could damage the finish. Use only mild soap to clean the Sidebars.

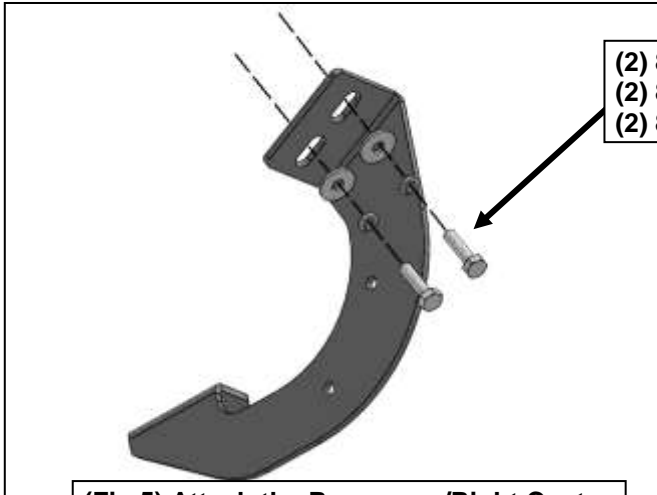
Driver/Left Side Installation Pictured



- (2) 8mm Hex Bolts
- (2) 8mm Lock Washers
- (2) 8mm Flat Washers

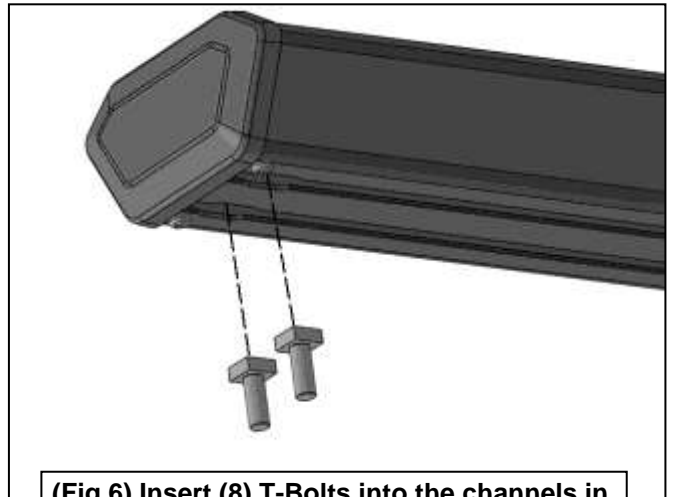


Driver/Left Side Installation Pictured

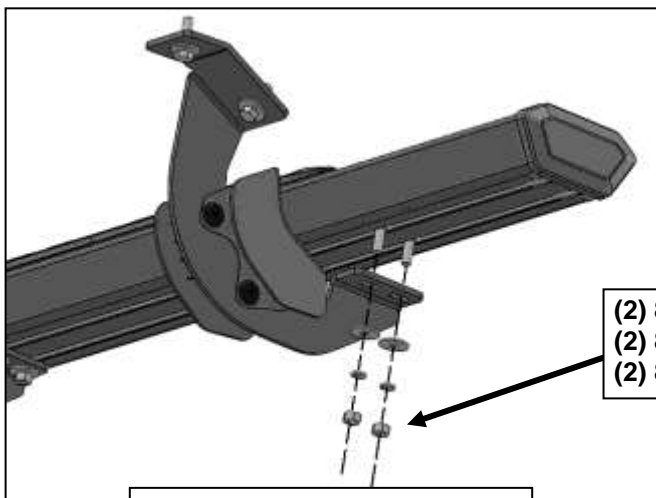


- (2) 8mm Hex Bolts
- (2) 8mm Lock Washers
- (2) 8mm Flat Washers

(Fig 5) Attach the Passenger/Right Center Mounting Bracket to the center location



(Fig 6) Insert (8) T-Bolts into the channels in the bottom of the Sidebar, (4) per channel



- (2) 8mm Flat Washers
- (2) 8mm Lock Washers
- (2) 8mm Hex Nuts

(Fig 7) Attach (1) SE5 Sidebar to the Mounting Brackets