



**BLACK HORSE
OFF ROAD**

TEL: 1-866-XANATOS

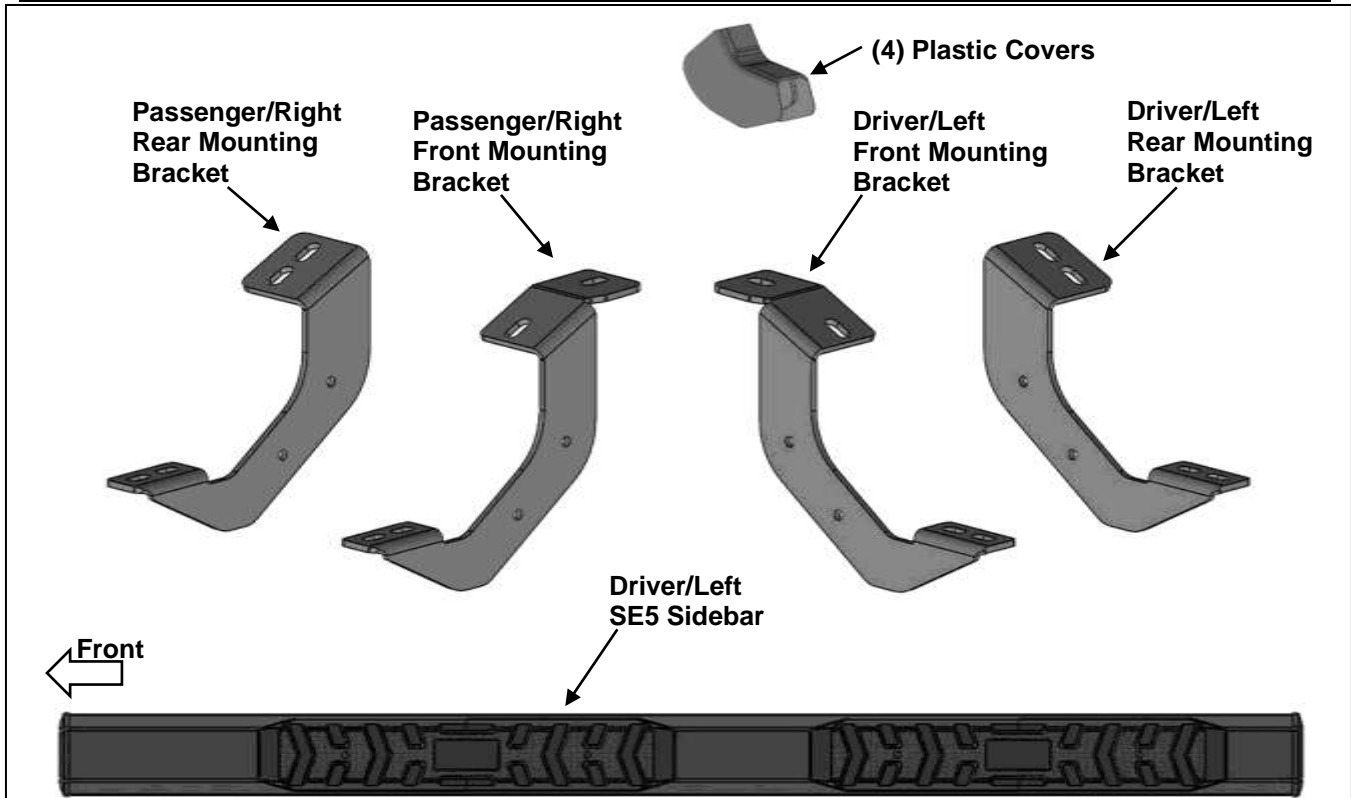
INSTALLATION INSTRUCTIONS

**EPIC RUNNING BOARDS
05-21 TOYOTA TACOMA ACCESS CAB**

PART# E2369

PARTS LIST:

1	Driver/Left SE5 Sidebar	8	Plastic Clips
1	Passenger/Right SE5 Sidebar	8	8mm x 30mm Hex Bolts
1	Driver/Left Front Mounting Bracket	8	8mm x 20mm T-Bolts
1	Passenger/Right Front Mounting Bracket	16	8mm Lock Washers
1	Driver/Left Rear Mounting Bracket	16	8mm x 24mm OD x 2mm Flat Washers
1	Passenger/Right Rear Mounting Bracket	8	8mm Hex Nuts
4	Plastic Covers		

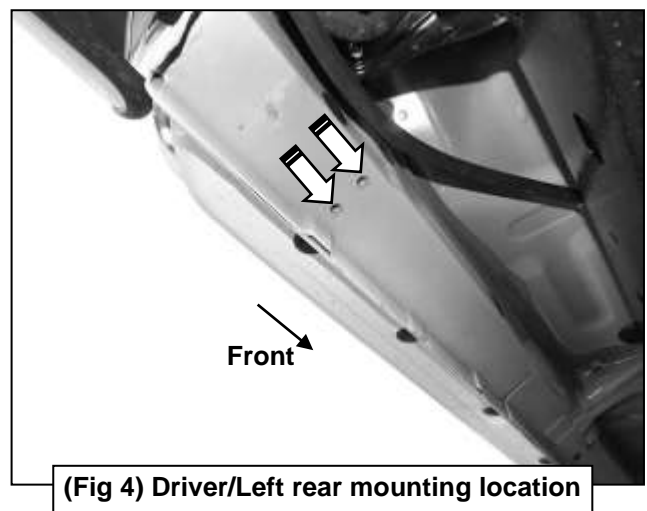
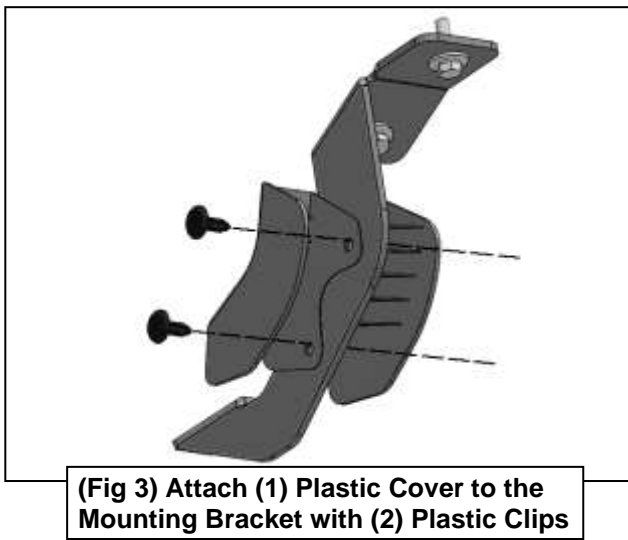
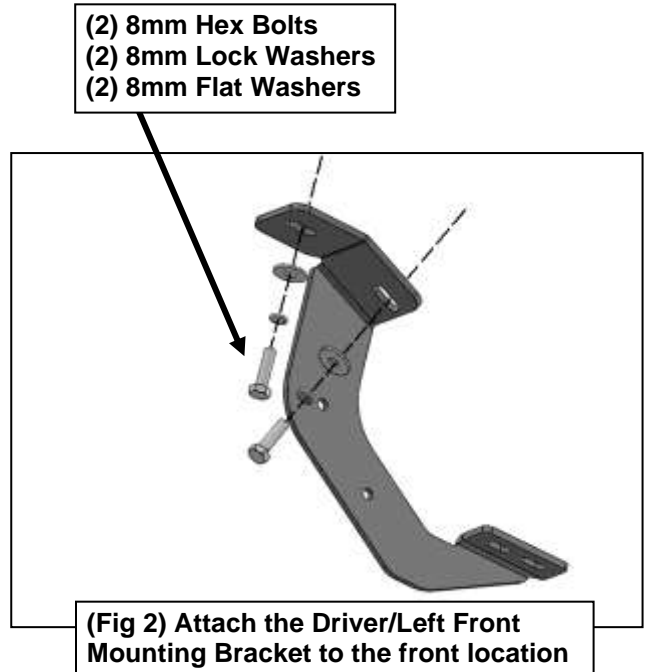
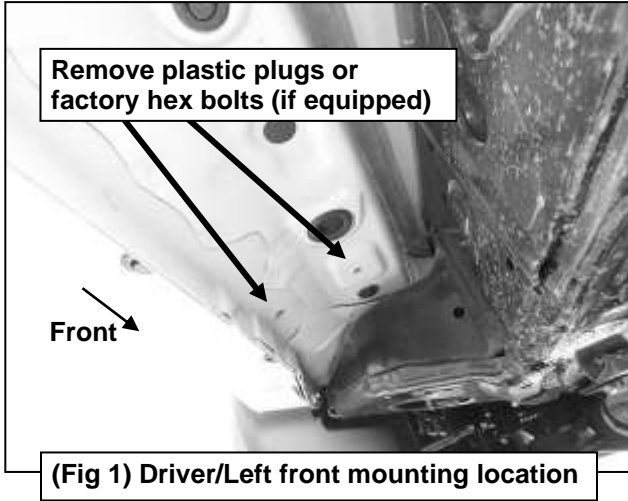


PROCEDURE:

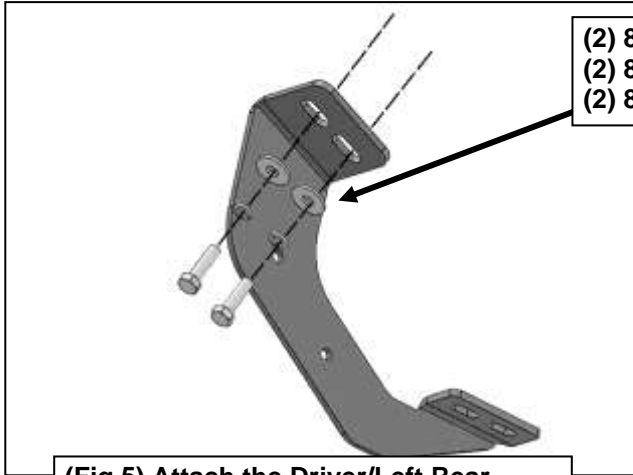
- 1. REMOVE CONTENTS FROM BOX. VERIFY ALL PARTS ARE PRESENT. READ INSTRUCTIONS CAREFULLY. ASSISTANCE IS HIGHLY RECOMMENDED.**
- Starting on the Driver/Left side of the vehicle, remove any plastic plugs or hex bolts from the factory mounting locations along the bottom of the floor, **(Figures 1 & 4)**. The Sidebar will mount to the front and rear locations.
- Select the Driver/Left Front Mounting Bracket. Attach the bracket to the front location with (2) 8mm Hex Bolts, (2) 8mm Lock Washers and (2) 8mm Flat Washers, **(Figure 2)**. Do not tighten hardware at this time.
- Select (1) Plastic Cover. Attach the Cover to the Mounting Bracket with (2) Plastic Clips, **(Figure 3)**.
- Move to the rear location. Select the Driver/Left Rear Mounting Bracket. Repeat **Steps 3 & 4** to attach the Bracket to the rear location, **(Figure 5)**.
- Select the Driver/Left SE5 Sidebar. Insert (4) T-Bolts into the channels in the bottom of the Sidebar, (3) per channel, **(Figure 6)**. Attach Sidebar to the Mounting Brackets with (4) 8mm Flat Washers, (4) 8mm Lock Washers and (4) 8mm Hex Nuts, **(Figure 8)**. Do not tighten hardware.
- Level and adjust the Sidebar and tighten all hardware.
- Repeat **Steps 1—7** to attach the Passenger/Right SE5 Sidebar.
- Do periodic inspections to the installation to make sure that all hardware is secure and tight.

To protect your investment, Do not use any type of polish or wax that may contain abrasives that could damage the finish. Use only mild soap to clean the Sidebars.

Driver/Left Side Installation Pictured

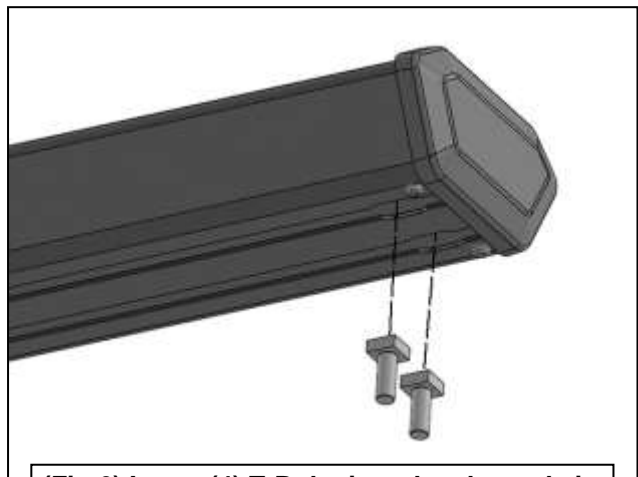


Driver/Left Side Installation Pictured

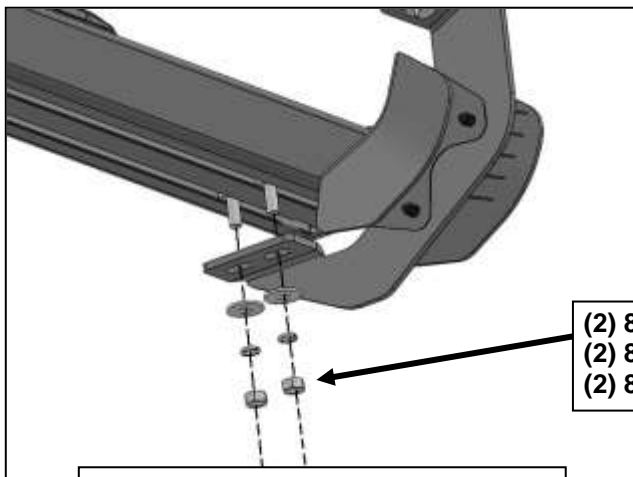


- (2) 8mm Hex Bolts
- (2) 8mm Lock Washers
- (2) 8mm Flat Washers

(Fig 5) Attach the Driver/Left Rear Mounting Bracket to the front location



(Fig 6) Insert (4) T-Bolts into the channels in the bottom of the Sidebar, (2) per channel



- (2) 8mm Flat Washers
- (2) 8mm Lock Washers
- (2) 8mm Hex Nuts

(Fig 7) Attach the Driver/Left Sidebar to the Mounting Brackets