



INSTALLATION INSTRUCTIONS
EXCEED RUNNING BOARD FOR HONDA ODYSSEY 18-20
PART # EX-H1882

Before Installation

- Please read the instruction completely for easy installation, which will also help you to avoid scratches or other potential damages to your appealing car.
- The figures here are for reference only and may have differences with the actual product you received, however they share the same assembly way.

Care and Cleaning

- Mild soap may be used also to clean the Product.
- Please periodically check and retighten all the hardware and clean the investment for a refresh look.

Parts list

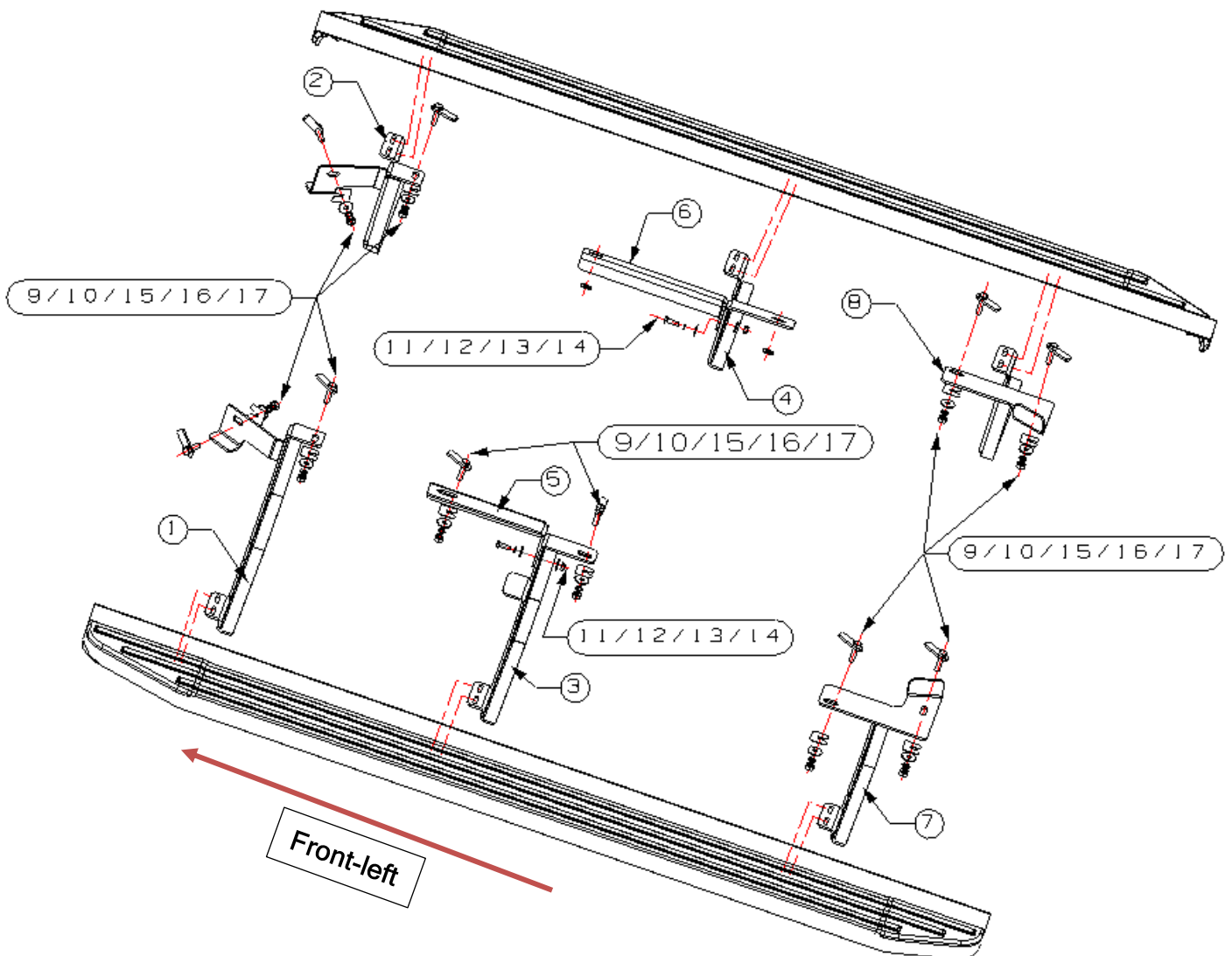
NO.	QTY	PIC	NO.	QTY	PIC
①	1	Front bracket (L)	②	1	Front bracket (R)
③	1	Middle bracket (L)	④	1	Middle bracket (R)
⑤	1	Middle mounting bracket (L)	⑥	1	Middle mounting bracket (R)
⑦	1	Rear bracket (L)	⑧	1	Rear bracket (R)
⑨	10	T Bolt M10	⑩	10	M10 Plastic block

Standard parts:

⑪	2	Lock washer D8	⑮	10	Lock washer D10
⑫	6	Flat washer D8	⑯	10	Flat washer D10
⑬	2	Hex nut M8	⑰	10	Hex nut M10
⑭	2	Hex bolt M8_25			

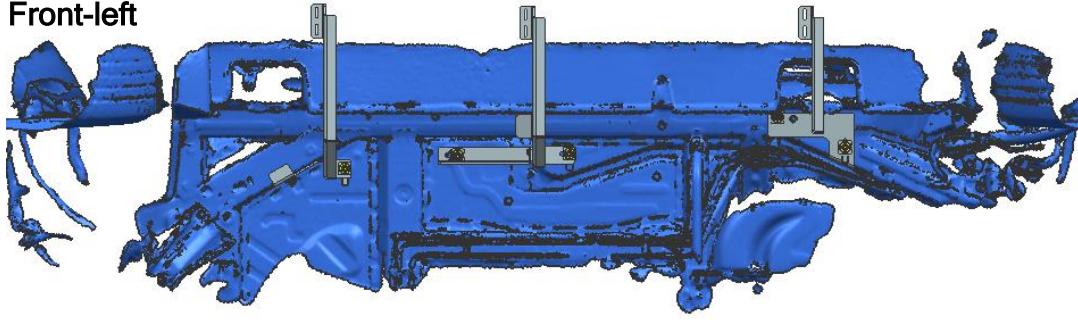
Installation Steps

INSTALLING PICTURE:

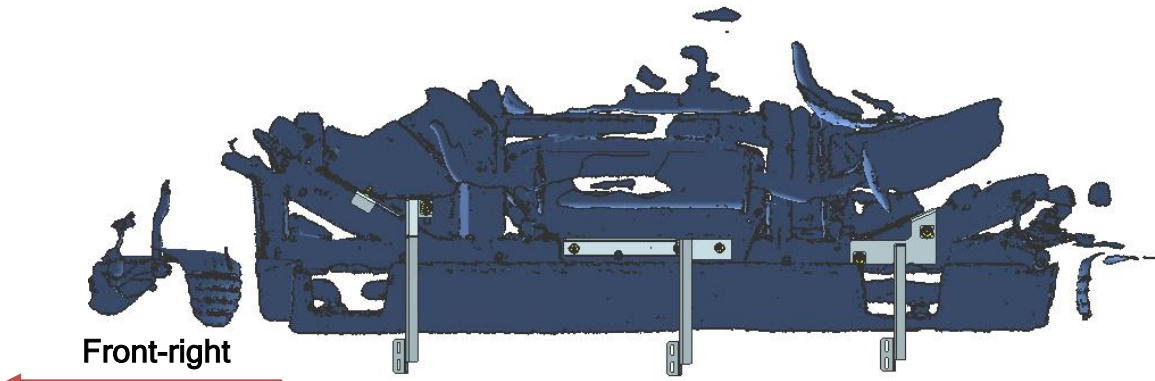


Step 1: Preview the approximate position of the body scan data and bracket in the picture below, and then install the brackets according to the actual car picture.

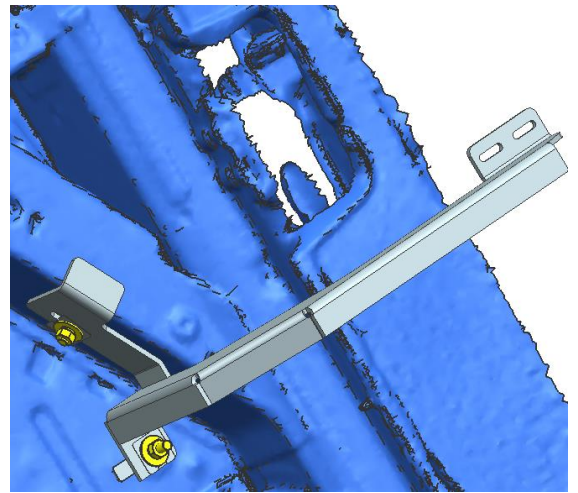
Front-left



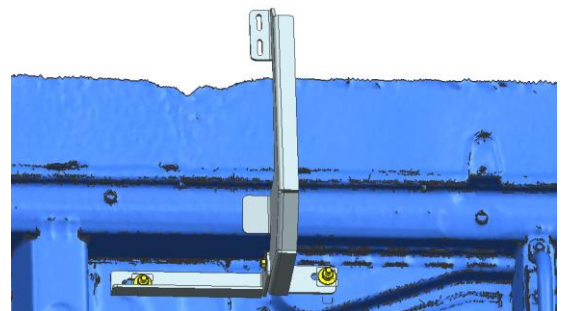
Front-right



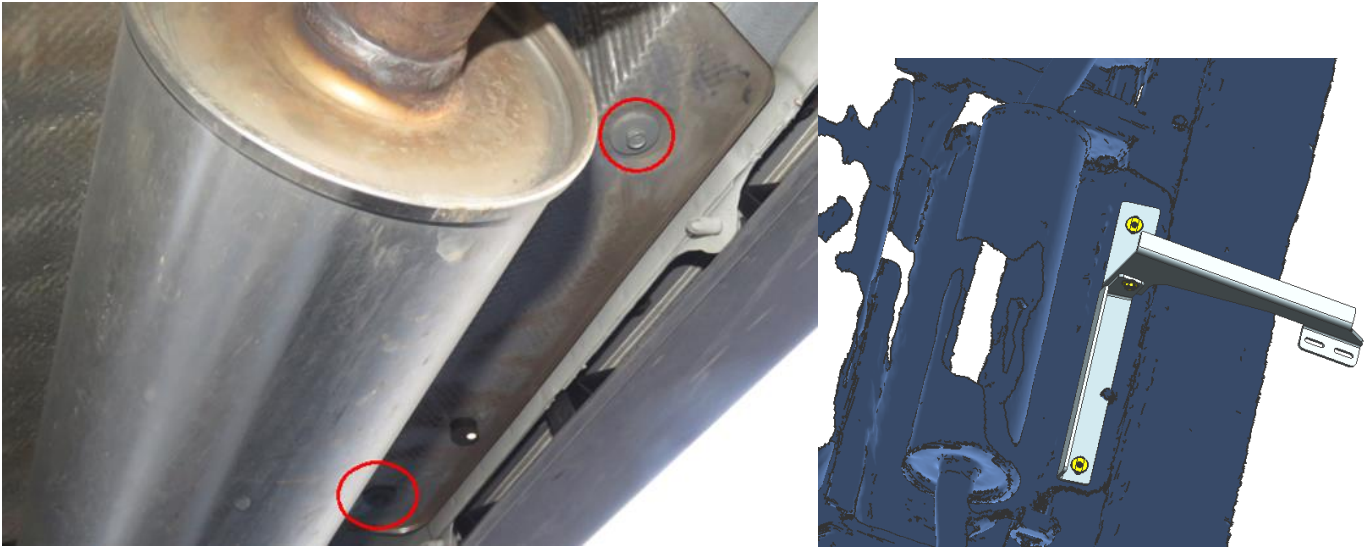
The installation of the front bracket (L) is as follows: (see the INSTALLING PICTURE for the optional standard parts). The left and right installation methods are the same.



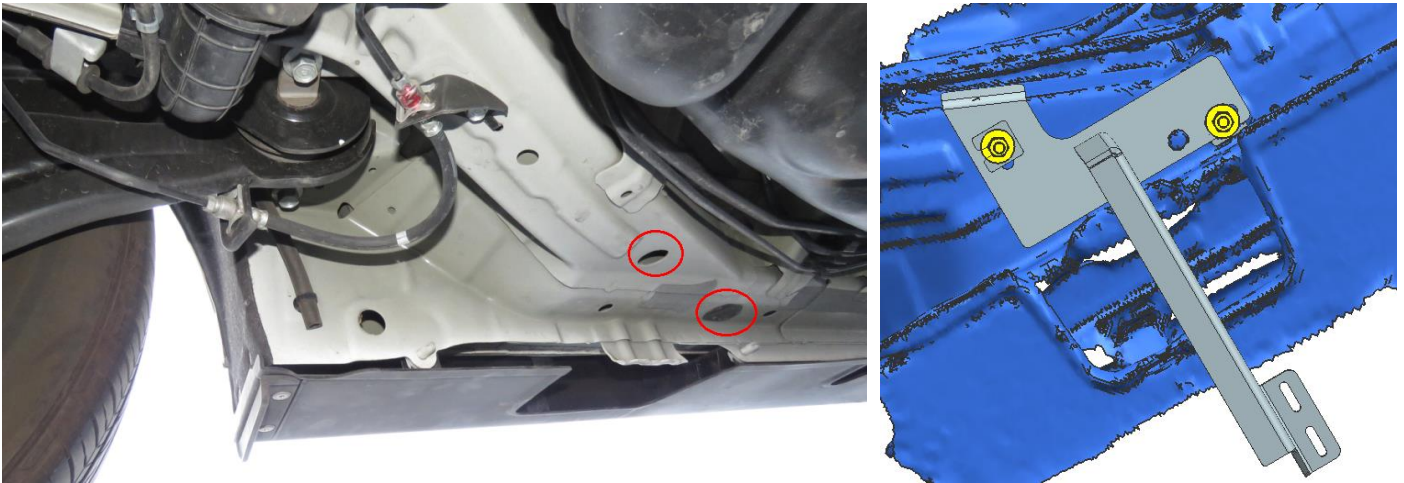
The installation of the middle bracket (L) is as follows: (see the INSTALLING PICTURE for the optional standard parts).



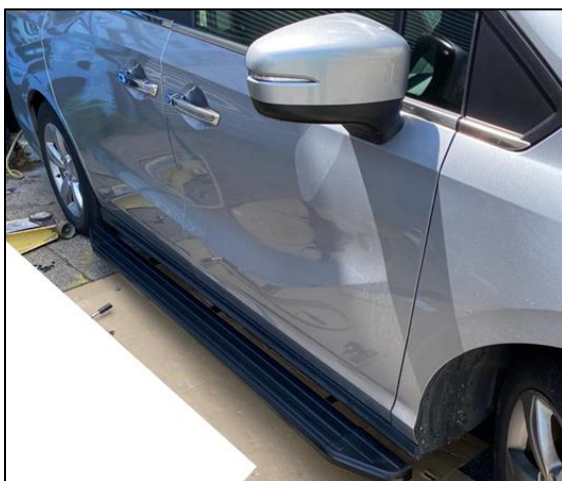
The installation of the middle bracket (R) is as follows: (see the INSTALLING PICTURE for the optional standard parts).



The installation of the rear bracket (L) is as follows: (see the INSTALLING PICTURE for the optional standard parts). The left and right installation methods are the same.



Step 2: The overall effect after installation is shown in the figure below.



Step 3: Installation is finished, pick up all tools.

NOTE

Any damages and losses caused by improper installation and application, goes beyond our quality warranty.