



INSTALLATION INSTRUCTIONS

Exceed Running Boards for Honda CR-V 2023

PART: # EX-H2370

BEFORE INSTALLATION

Please read the instructions prior to installation.

Before Installation

- Please read the instruction completely for easy installation, which will also help you to avoid scratches or other potential damages to your appealing car.
- The information shown here is for reference only and may differ from the product that you receive, however the goods are fitted in the same way.

Care and Cleaning

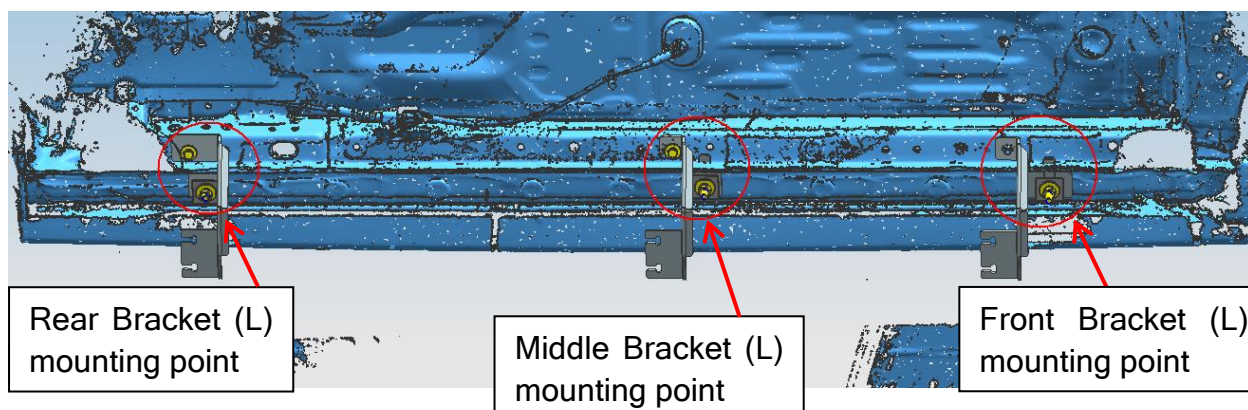
- Mild soap may be used also to clean the Product.
- Please periodically check and retighten all the hardware and clean the investment for a refresh look.

Parts list

NO.	QTY	PICTURE	NO.	QTY	PICTURE
①	1	Front Bracket (L)	②	1	Front Bracket (R)
③	1	Middle Bracket (L)	④	1	Middle Bracket (R)
⑤	1	Rear Bracket (L)	⑥	1	Rear Bracket (R)
⑦	6	T Bolts M10x40	⑧	6	Plastic Retainersφ10 (δ0.7*40*40)
⑨	6	Hex Nuts M10	⑩	4	Flat Washers D8 (8x24x2mm)
⑪	4	Hex Bolts M8_30	⑫	6	Flat Washers D10 (10x30x2.5mm)
⑬	4	Lock Washers D8	⑭	6	Lock Washers D10

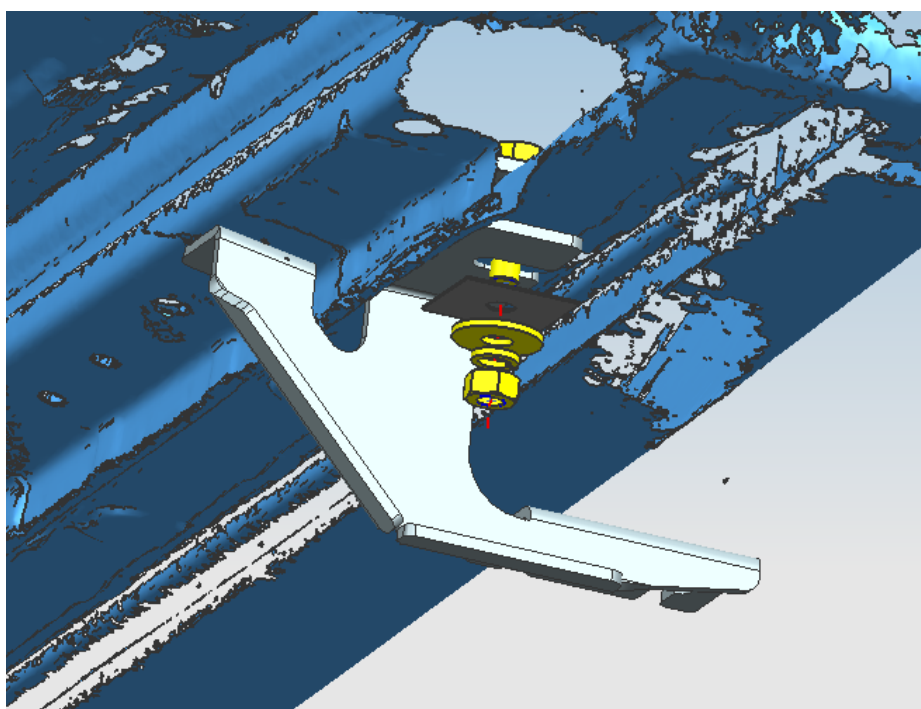
Installation Figure

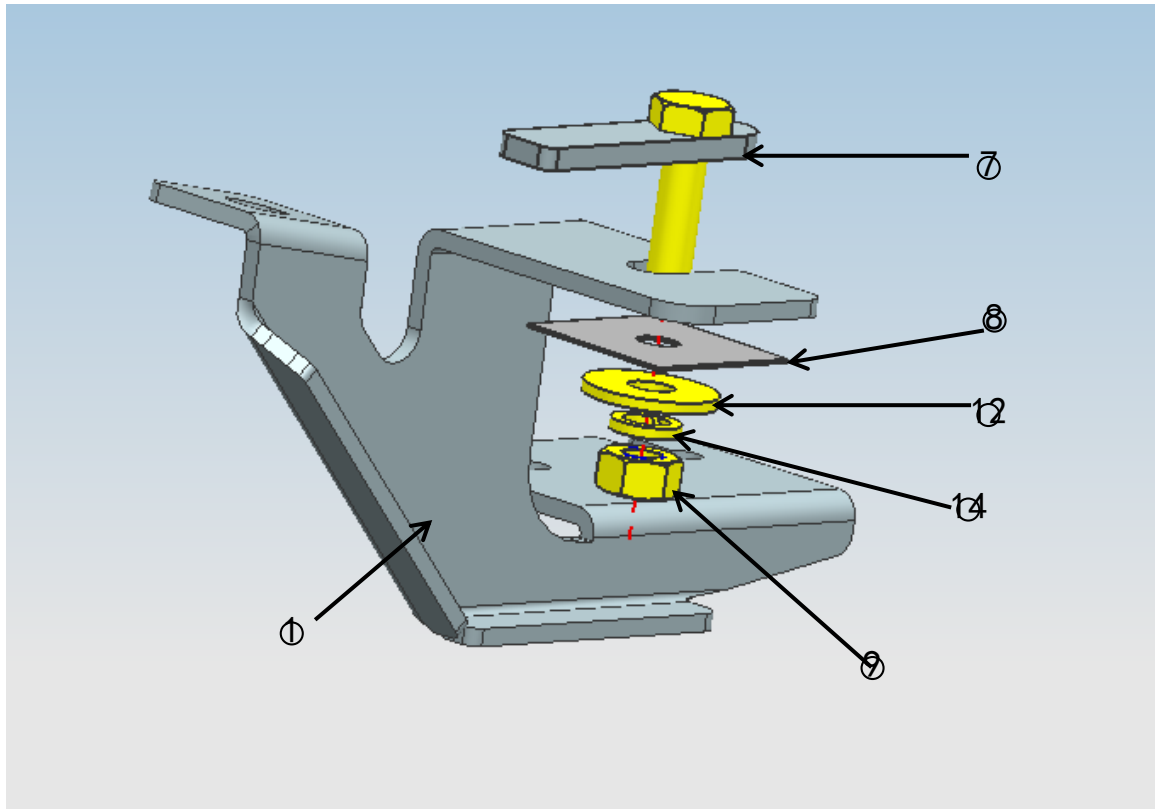
Step 1: Find the mounting positions under the bottom of the car door.



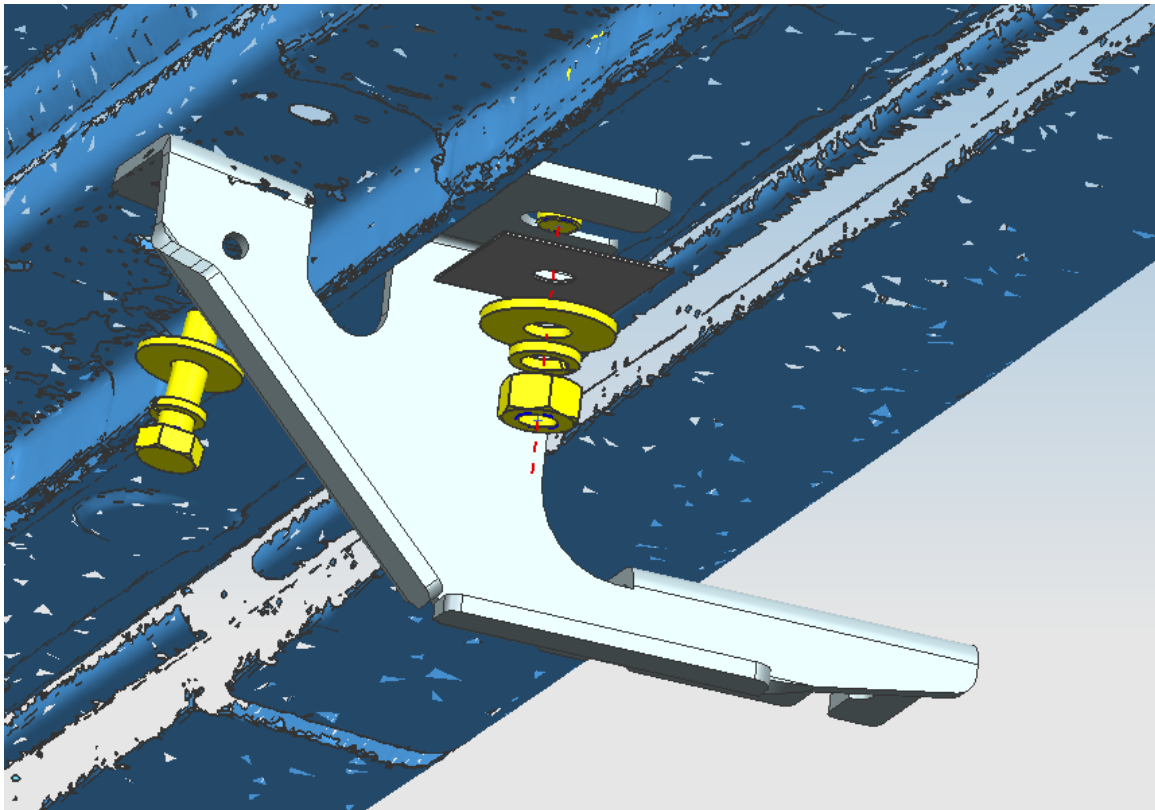
Step 2: Attach Front Bracket (L) ①, Middle Bracket (L) ③ and Rear Bracket (L) ⑤ on the mounting points with T Bolts M10x40 ⑦, Plastic Retainers $\phi 10$ (50.7*40*40) ⑧, Hex Nuts M10 ⑨, Flat Washers D10 (10x30x2.5mm) ⑫, Flat Washers D8 (8x24x2mm) ⑩, Hex Bolts M8_30 ⑪, Lock Washers D8 ⑬ and Lock Washers D10 ⑭. Front Bracket (R) ②, Middle Bracket (R) ④ and Rear Bracket (R) ⑥ refer to left side installation, and the right and right sides are symmetrical.

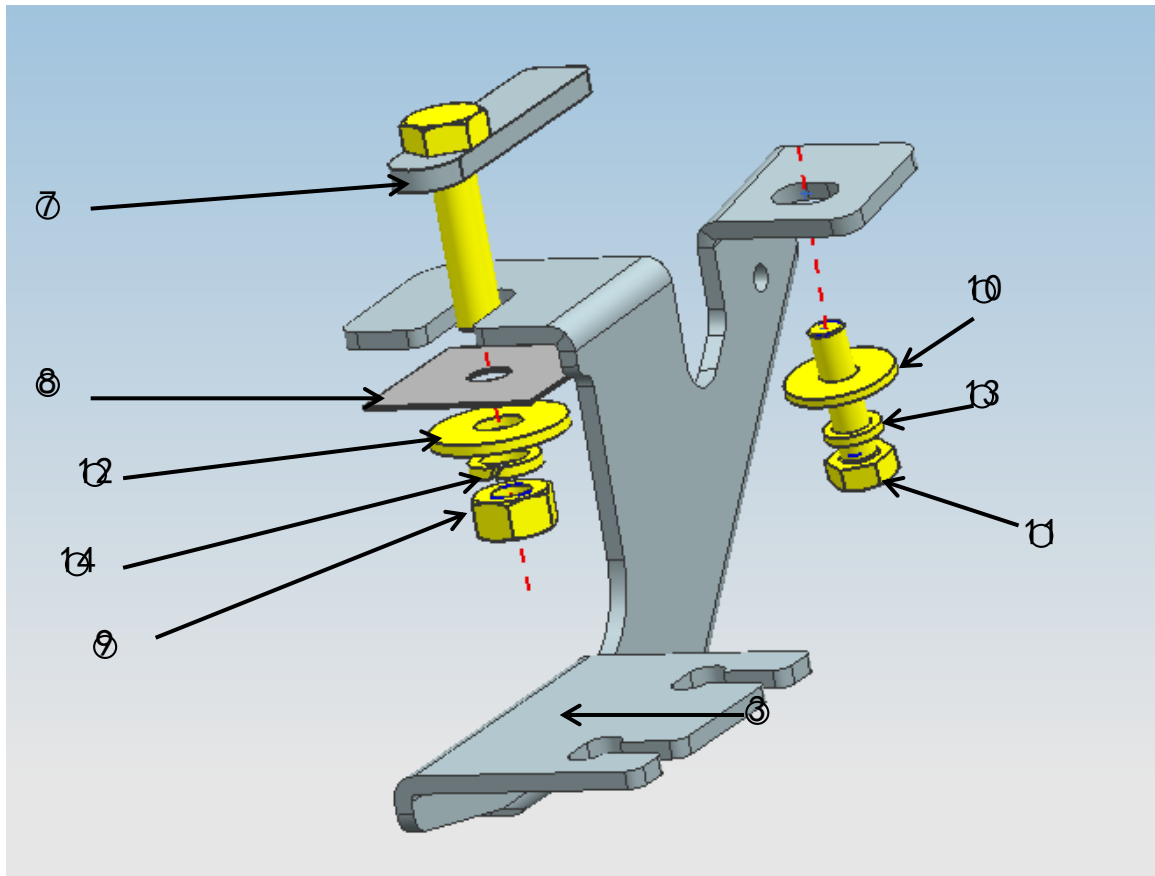
Front Bracket (L) ① is installed as below figure shown, Front Bracket (R) ② are in symmetrical installation.



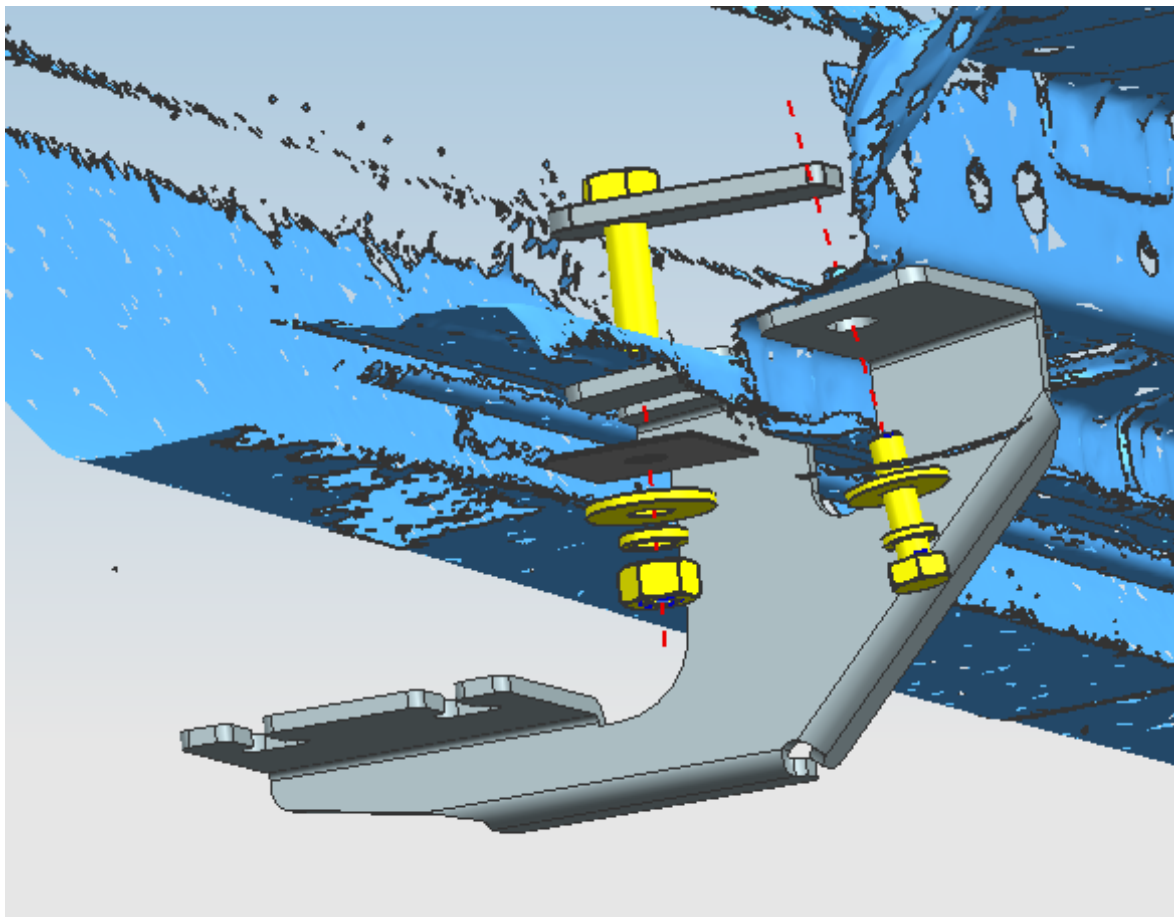


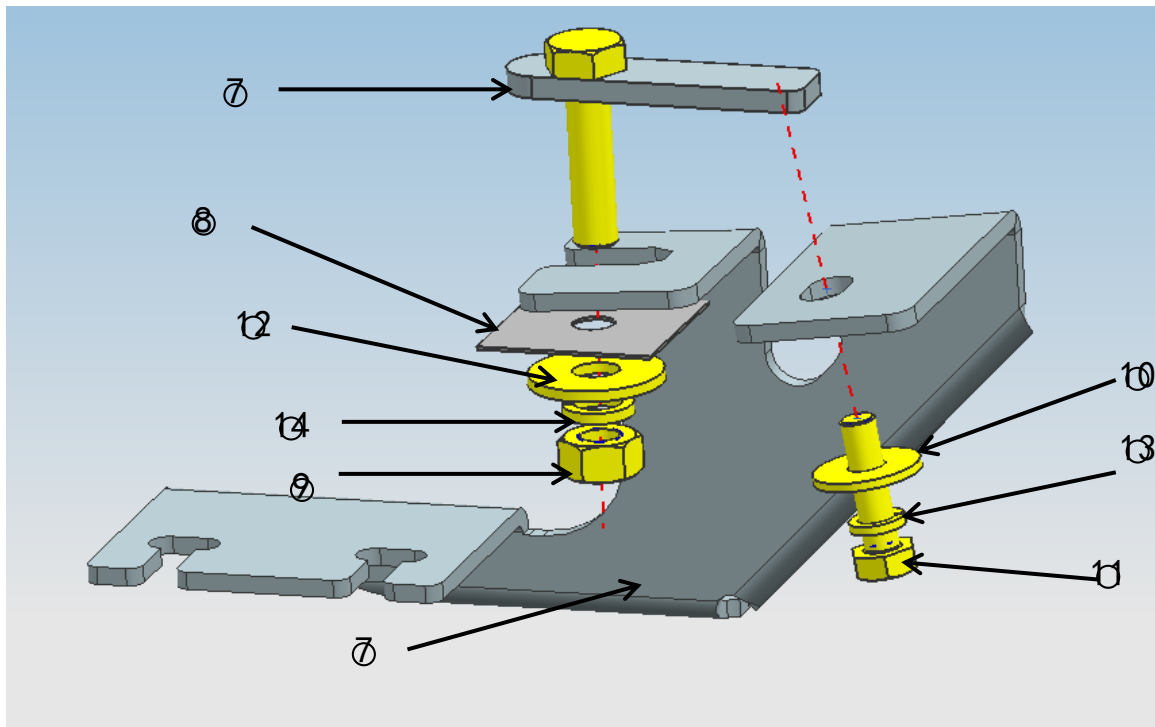
Middle Bracket (L) ③ is installed as below figure shown, Middle Bracket (R) ④ are in symmetrical installation.



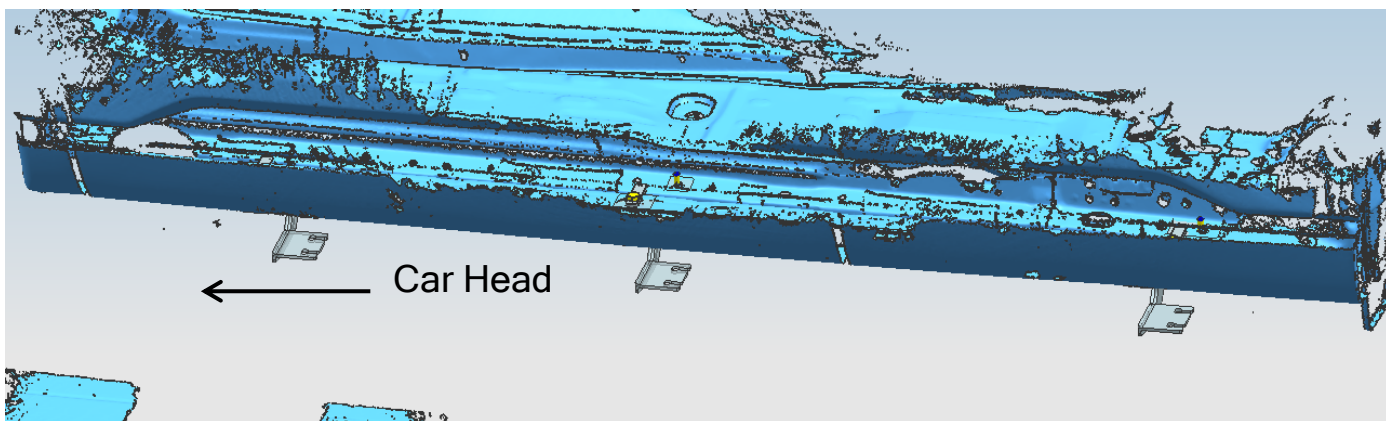


Rear Bracket (L) ⑤ is installed as below figure shown, Rear Bracket (R) ⑥ are in symmetrical installation.

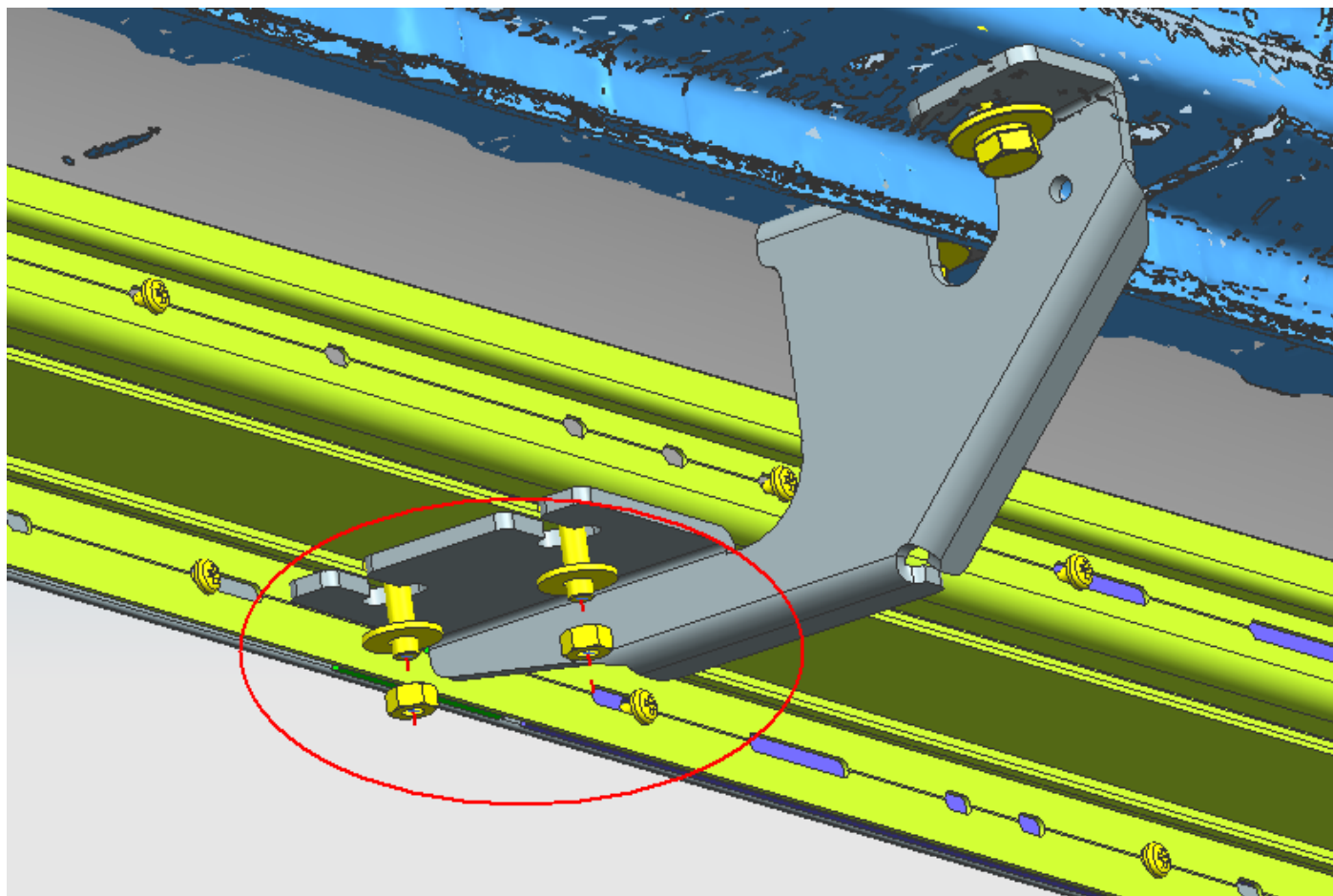




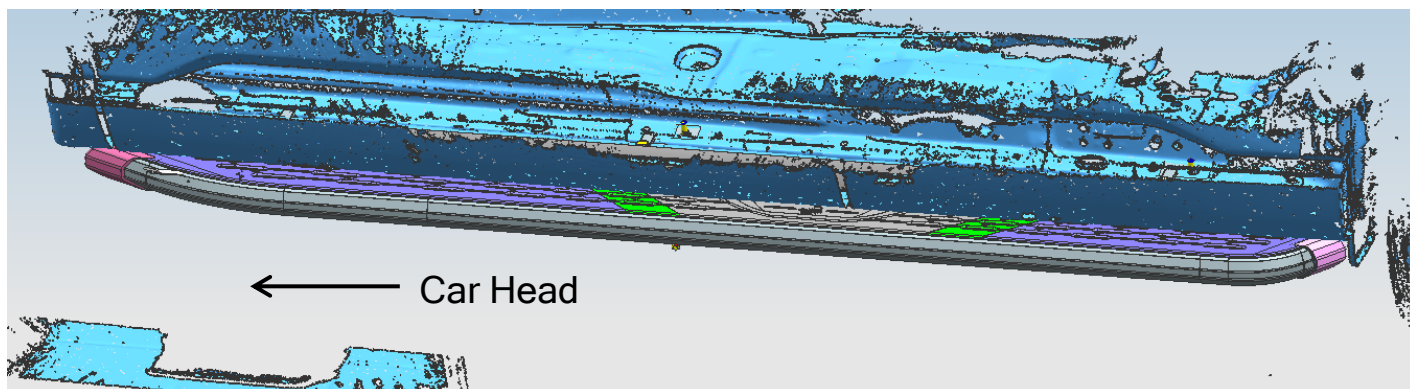
Brackets complete installation:



Step 3: Attach running boards on the brackets with Hex nuts M6 and Flat washers D6.



Complete installation.



NOTE

Any damages and losses caused by improper installation and application, goes beyond our quality warranty.