

73" EXCEED RUNNING BOARD FOR NISSAN PATHFINDER 22-24 (Incl. Models with Exterior Ground Lighting/Welcome Lighting)



TEL: 1-866-XANATOS

INSTALLATION INSTRUCTIONS

73" EXCEED RUNNING BOARD FOR NISSAN PATHFINDER 22-24 (Incl. Models with Exterior Ground Lighting/Welcome Lighting)

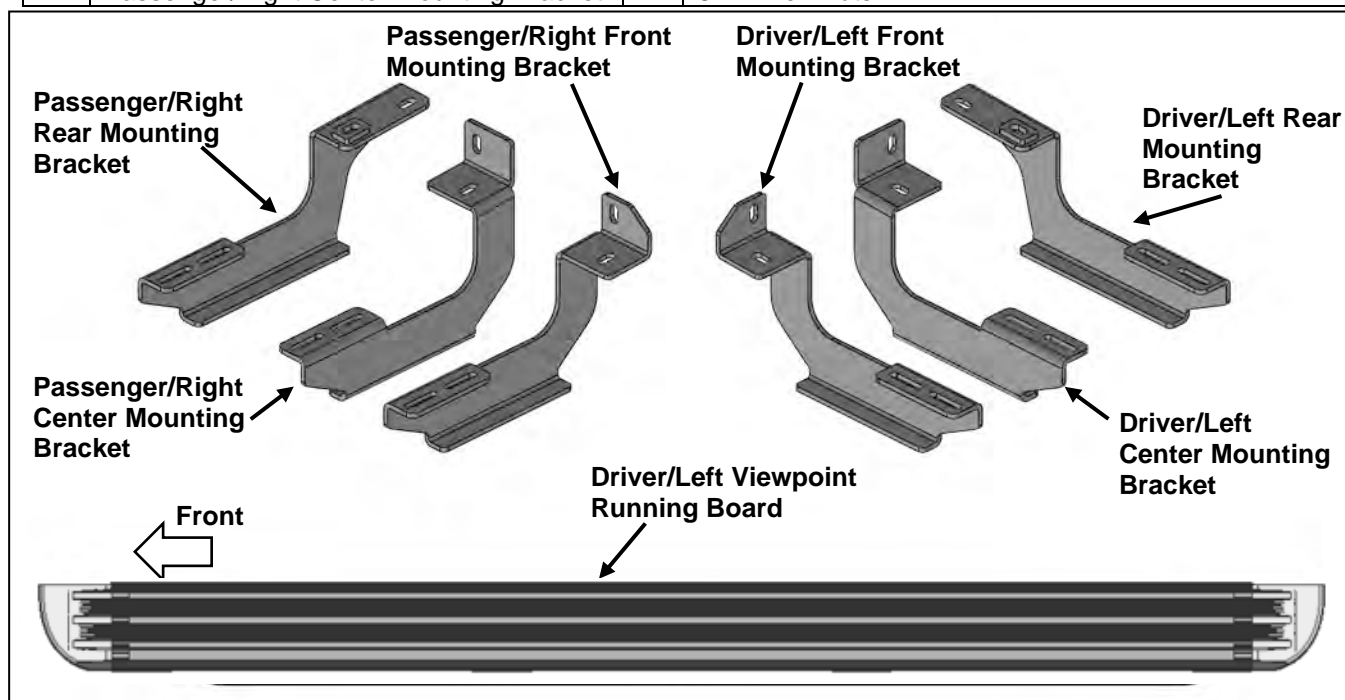
PART # EX-NI370

PROTECTED BY ONE OR MORE PATENT

73" EXCEED RUNNING BOARD FOR NISSAN PATHFINDER 22-24 (Incl. Models with Exterior Ground Lighting/Welcome Lighting)

PARTS LIST:

1	Driver/Left Running Board	1	Driver/Left Rear Mounting Bracket
1	Passenger/Right Running Board	1	Passenger/Right Rear Mounting Bracket
1	Driver/Left Front Mounting Bracket	8	8mm x 25mm Hex Bolts
1	Passenger/Right Front Mounting Bracket	12	8mm x 24mm OD x 2mm Flat Washers
1	Driver/Left Center Mounting Bracket	12	8mm Lock Washers
1	Passenger/Right Center Mounting Bracket	4	8mm Hex Nuts



PROCEDURE:

- REMOVE CONTENTS FROM BOX. VERIFY ALL PARTS ARE PRESENT. READ INSTRUCTIONS CAREFULLY. USE ILLUSTRATION TO IDENTIFY BRACKETS.**
- Starting on the Driver/Left front of the vehicle, use pry tools to remove plugs and the cover on the bottom of the vehicle, **(Figure 1)**. Select the Driver/Left Front Mounting Bracket. Attach the Mounting Bracket to the threaded stud on the front location with (1) 8mm Flat Washer, (1) 8mm Lock Washer and (1) 8mm Hex Nut, **(Figures 2—4)**. Do not tighten hardware.
- Attach the Mounting Bracket to the threaded insert with (1) 8mm Hex Bolt, 8mm Lock Washer and (1) 8mm Flat Washer, **(Figure 2—4)**. Do not tighten hardware.
- Move along the body panel to the center mounting location, **(Figure 5)**. Select the Driver/Left Center Mounting Bracket. Repeat **Steps 2 & 3** to attach the Bracket, **(Figure 6)**. Do not tighten hardware.
- Continue to the rear mounting location in front of the rear tire, **(Figure 7)**. Select the Driver/Left Rear Mounting Bracket. Attach the Bracket to the (2) threaded inserts with (2) 8mm Hex Bolts, (2) 8mm Lock Washers and (2) 8mm Flat Washers, **(Figures 7—9)**. Do not tighten hardware.
- Select the Passenger/Right Viewpoint Running Board. Insert (6) T-Bolts into the channels in the bottom of the Running Board, (3) per channel, **(Figure 10)**. Place the Running Board onto the Mounting Brackets and line up the T-Bolts. Attach the Running Board to the Mounting Brackets with (6) 6mm Flat Washers, (6) 6mm Lock Washers and (6) 6mm Hex Nuts, **(Figure 11)**. Do not tighten hardware.
- Level and adjust the Running Board and fully tighten all hardware.
- Select the factory cover. Line up the cover to the factory mounting holes. Mark where the Center Mounting Bracket sits. Using a hacksaw or sharp knife, cut the cover to allow the Bracket to go through. **(Figure 12)**. Only cut a little at a time.
- Repeat **Steps 2—8** to attach the Passenger/Right Viewpoint Running Board.
- Do periodic inspections to the installation to make sure that all hardware is secure and tight.

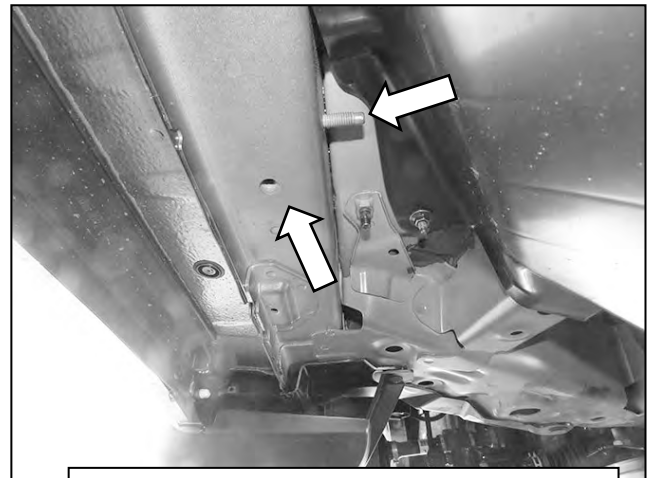
73" EXCEED RUNNING BOARD FOR NISSAN PATHFINDER 22-24 (Incl. Models with Exterior Ground Lighting/Welcome Lighting)

To protect your investment, Do not use any type of polish or wax that may contain abrasives that could damage the finish. Mild soap may be used to clean the Running Boards.

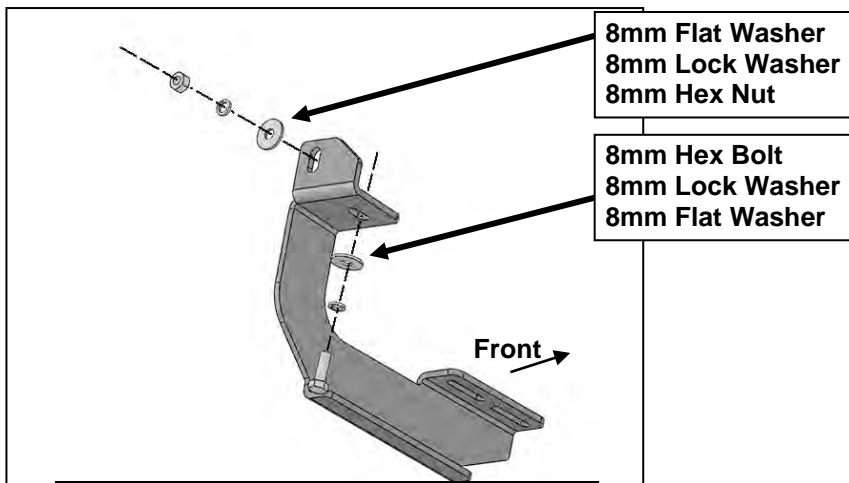
Driver Side Installation Pictured



(Fig 1) Use pry tools to remove the plastic cover



(Fig 2) Driver/Left front mounting location

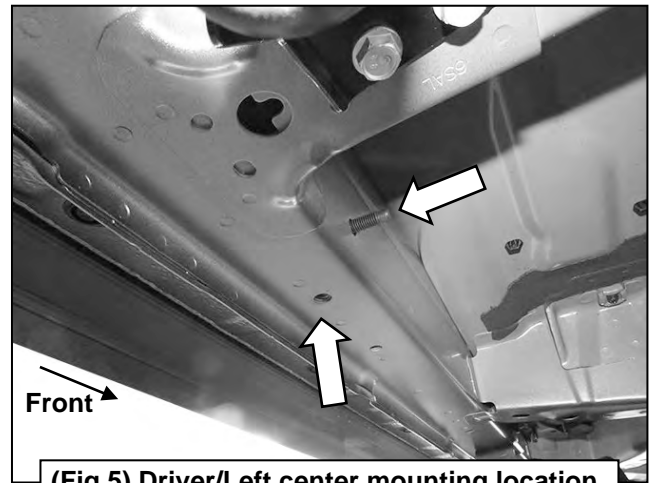


(Fig 3) Attach Driver/Left Front Mounting Bracket to the front mounting location

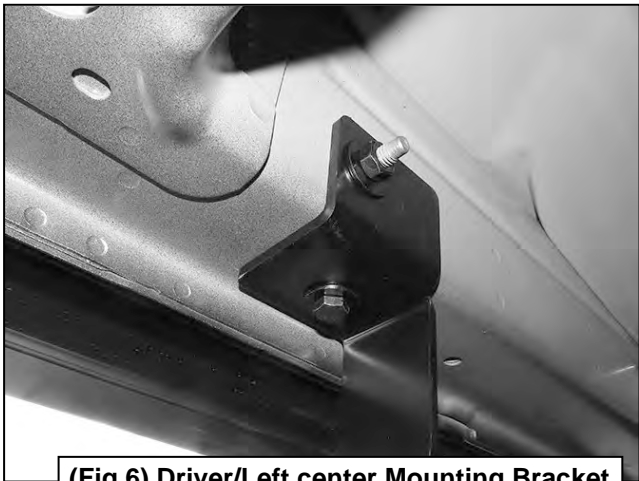
Driver Side Installation Pictured



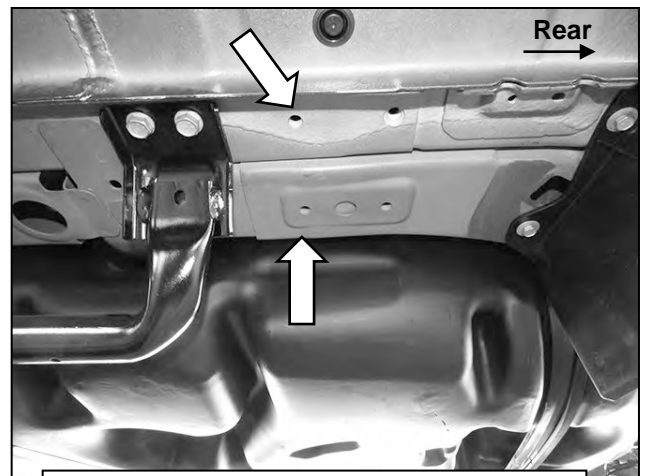
(Fig 4) Driver/Left Front Mounting Bracket attached to the front mounting location



(Fig 5) Driver/Left center mounting location



(Fig 6) Driver/Left center Mounting Bracket attached to the center mounting location



(Fig 7) Driver/Left rear mounting location

Driver Side Installation Pictured

