



## INSTALLATION INSTRUCTIONS

Pinnacle Running Boards for Honda CR-V 2023

PART # PIH2370

### **BEFORE INSTALLATION**

Please read the instructions prior to installation.

### Before Installation

- Please read the instruction completely for easy installation, which will also help you to avoid scratches or other potential damages to your appealing car.
- The information shown here is for reference only and may differ from the product that you receive, however the goods are fitted in the same way.

### Care and Cleaning

- Mild soap may be used also to clean the Product.
- Please periodically check and retighten all the hardware and clean the investment for a refresh look.

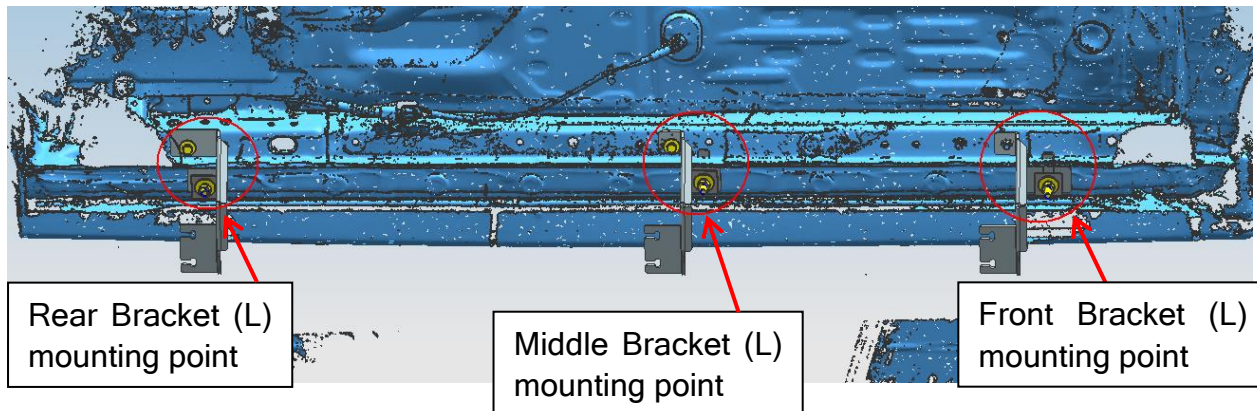
### Parts list

NO.	QTY	PICTURE	NO.	QTY	PICTURE
①	1	Front Bracket (L)	②	1	Front Bracket (R)
③	1	Middle Bracket (L)	④	1	Middle Bracket (R)
⑤	1	Rear Bracket (L)	⑥	1	Rear Bracket (R)
⑦	6	T Bolts M10x40	⑧	6	Plastic Retainersφ10 (δ0.7*40*40)
⑨	6	Hex Nuts M10	⑩	4	Flat Washers D8 (8x24x2mm)
⑪	4	Hex Bolts M8_30	⑫	6	Flat Washers D10 (10x30x2.5mm)
⑬	4	Washer (C)	⑭	6	Washer (C)

		Lock Washers D8			Lock Washers D10
--	--	-----------------	--	--	------------------

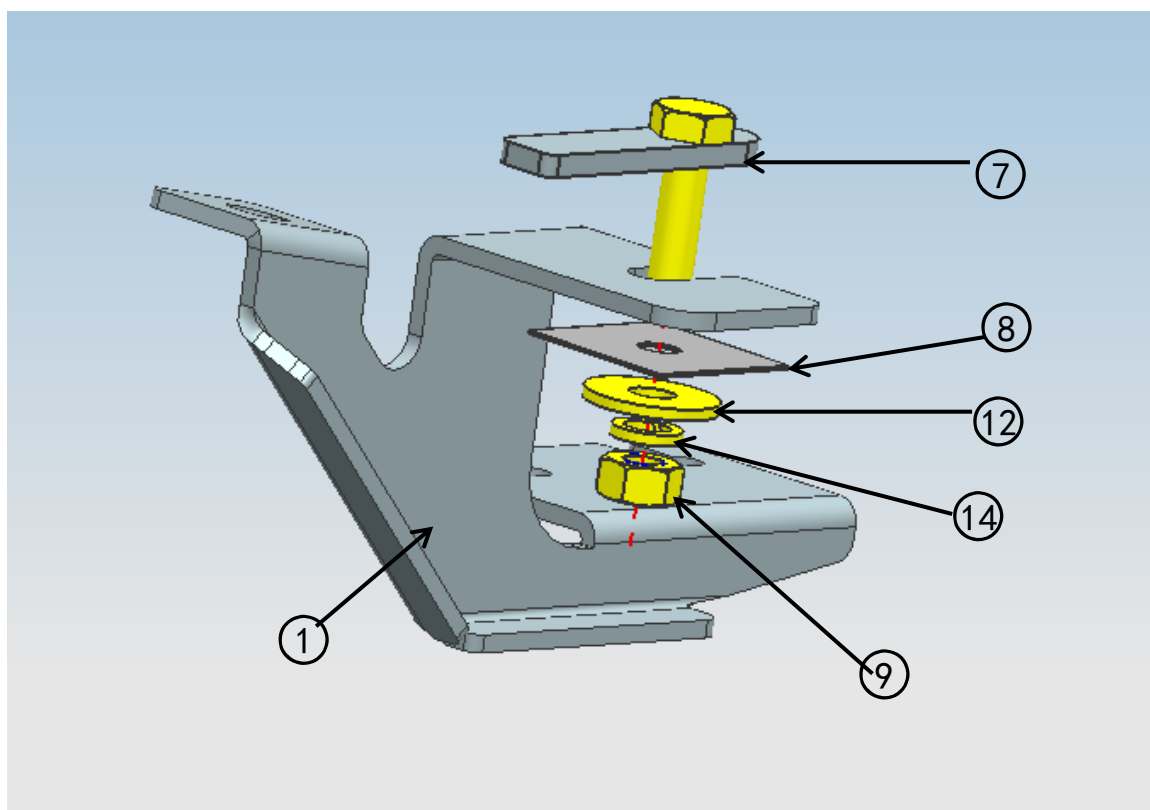
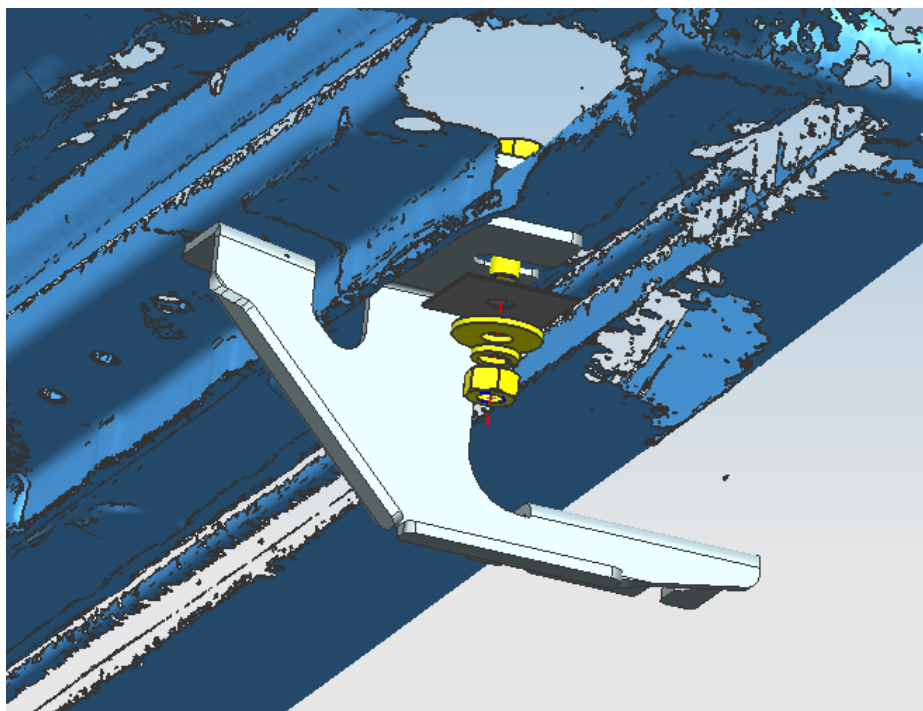
## Installation Figure

Step 1: Find the mounting positions under the bottom of the car door.

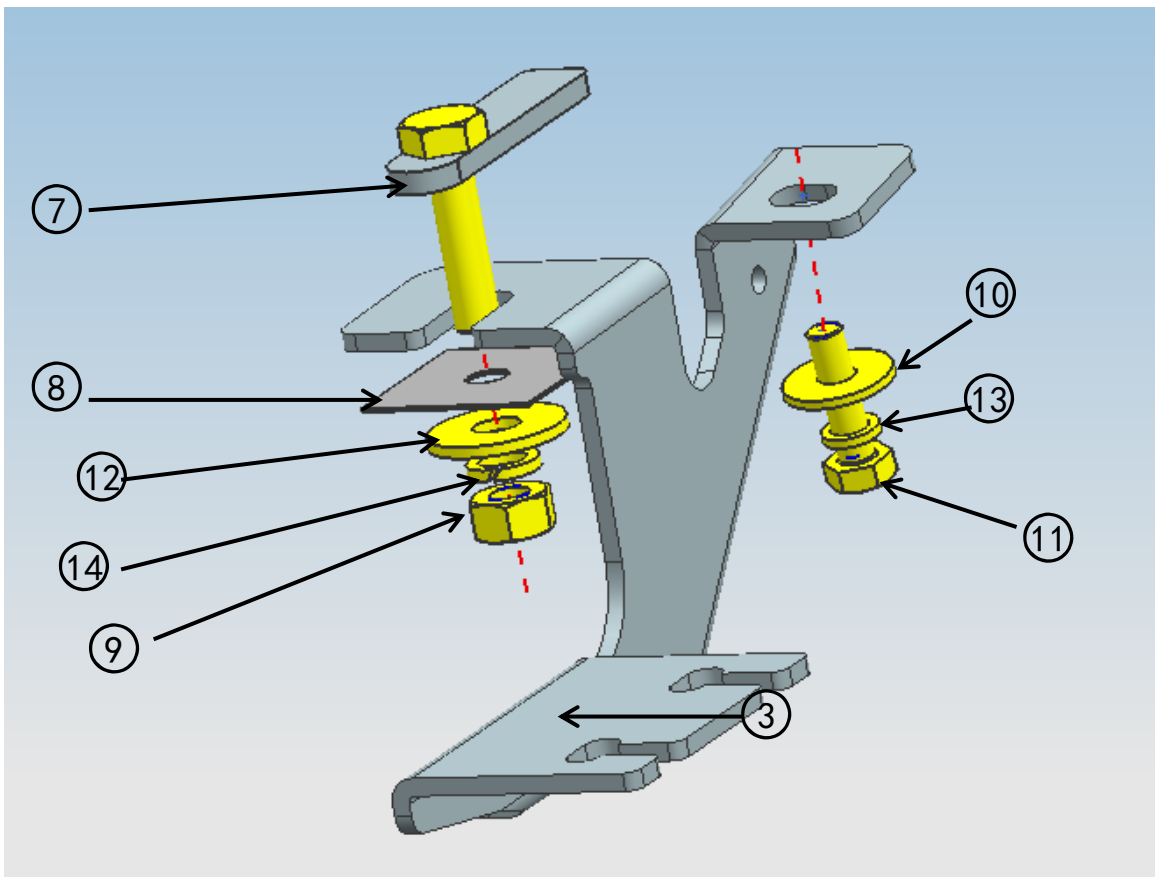
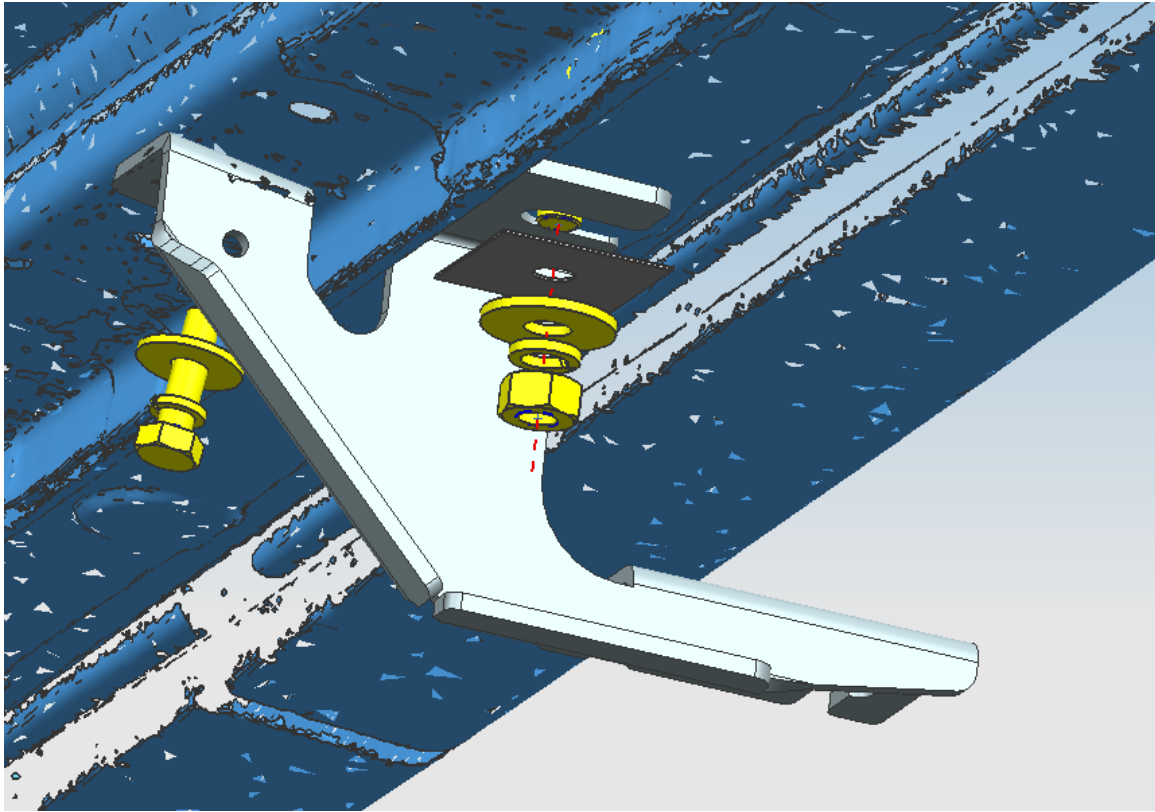


Step 2: Attach Front Bracket (L) ①, Middle Bracket (L) ③ and Rear Bracket (L) ⑤ on the mounting points with T Bolts M10x40 ⑦, Plastic Retainers  $\phi 10$  (50.7\*40\*40) ⑧, Hex Nuts M10 ⑨, Flat Washers D10 (10x30x2.5mm) ⑫, Flat Washers D8 (8x24x2mm) ⑩, Hex Bolts M8\_30 ⑪, Lock Washers D8 ⑬ and Lock Washers D10 ⑭. Front Bracket (R) ②, Middle Bracket (R) ④ and Rear Bracket (R) ⑥ refer to left side installation, and the right and right sides are symmetrical.

Front Bracket (L) ① is installed as below figure shown, Front Bracket (R) ② are in symmetrical installation.

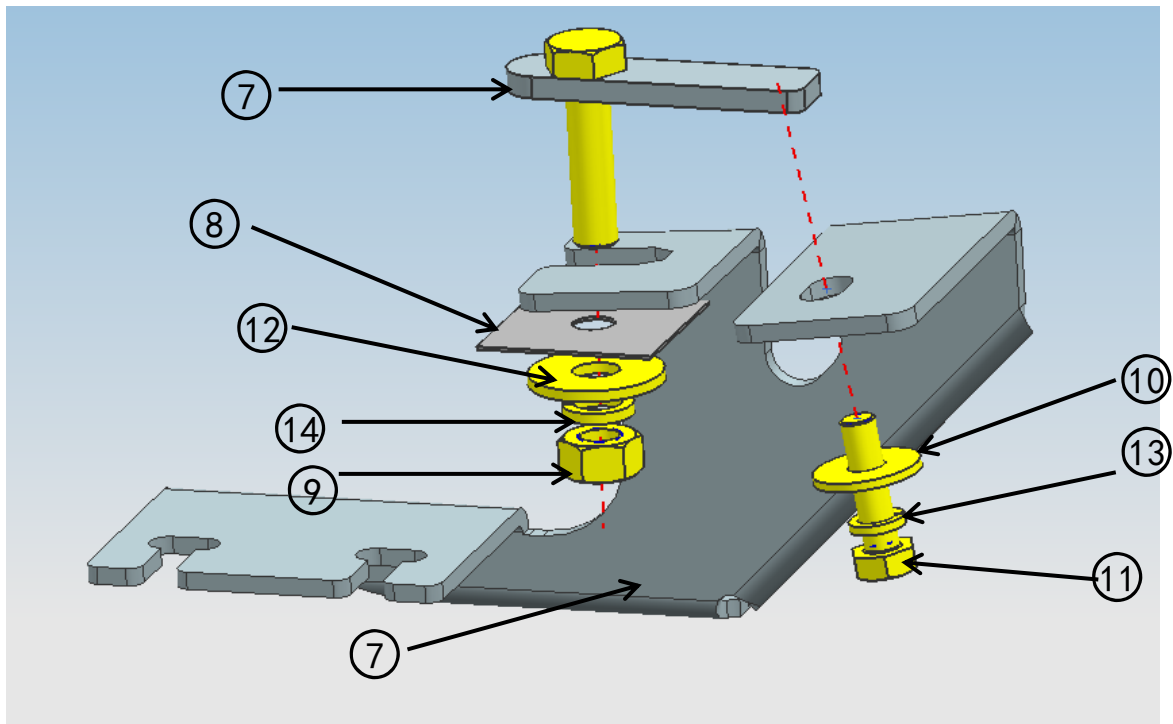
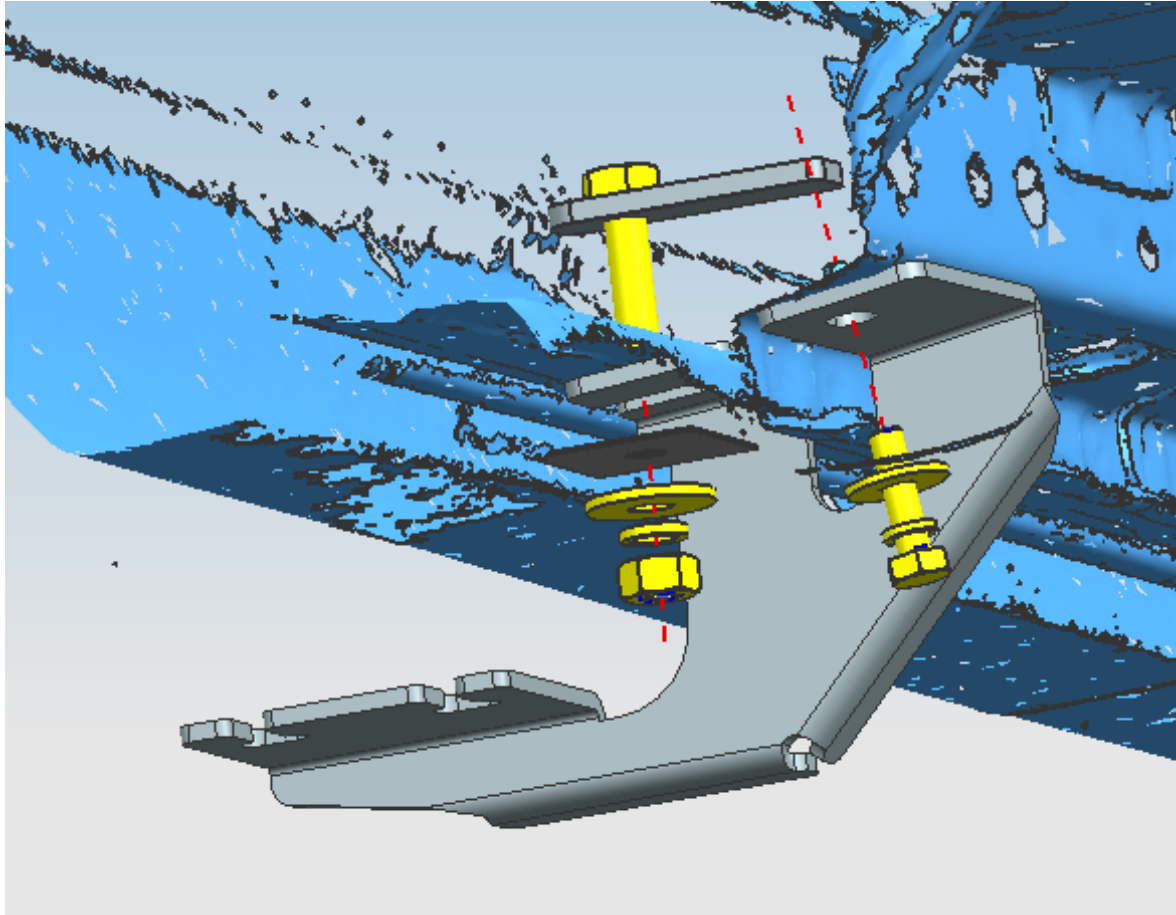


Middle Bracket (L) (3) is installed as below figure shown, Middle Bracket (R) (4) are in symmetrical installation.

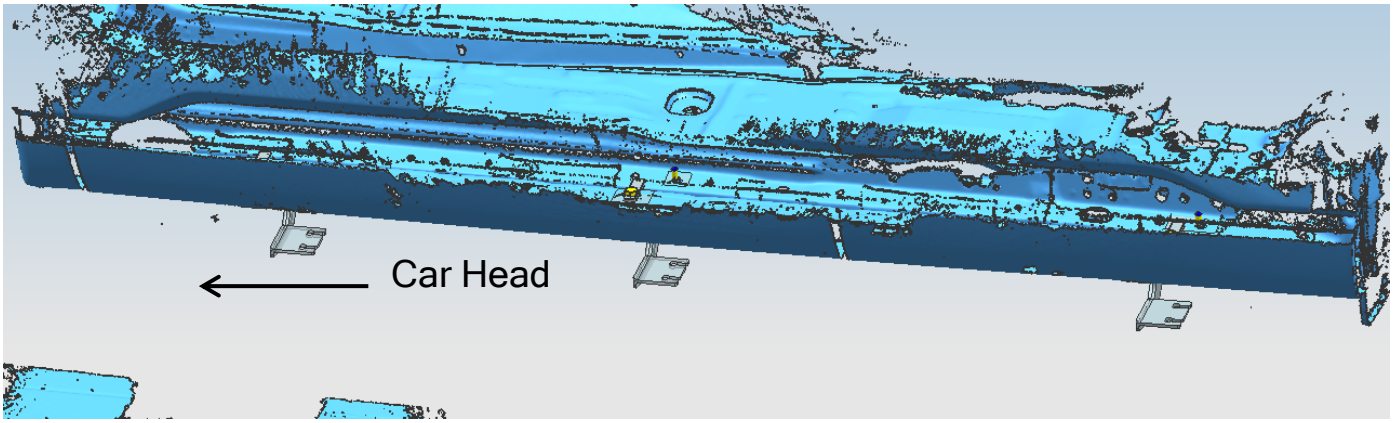


Rear Bracket (L) ⑤ is installed as below figure shown, Rear Bracket (R) ⑥ are in symmetrical  
 1-866-926-2867 | 39 St. Mary's Place, Freeport, NY 11520 | [www.blackhorseoffroad.com](http://www.blackhorseoffroad.com)

installation.

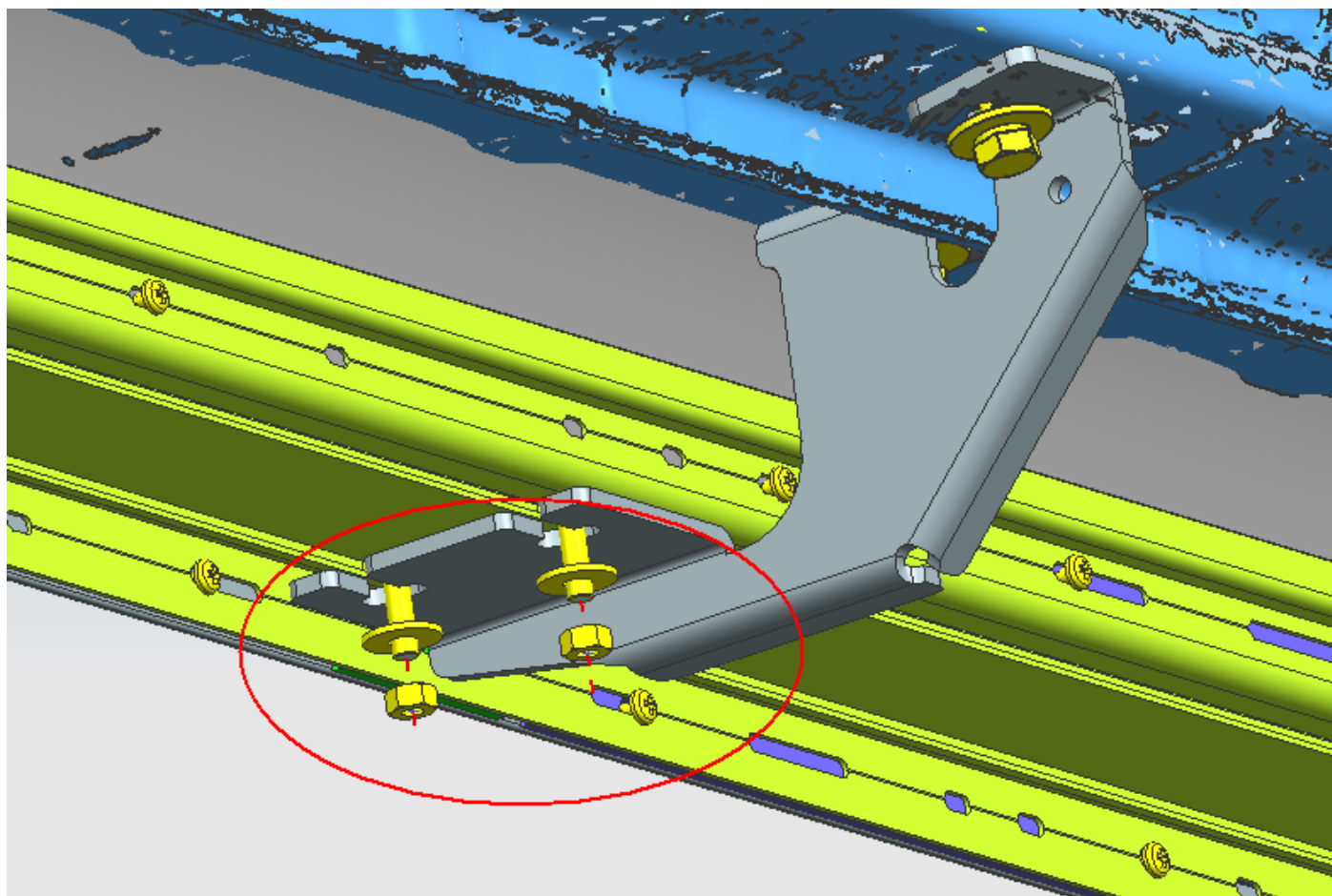


Brackets complete installation:

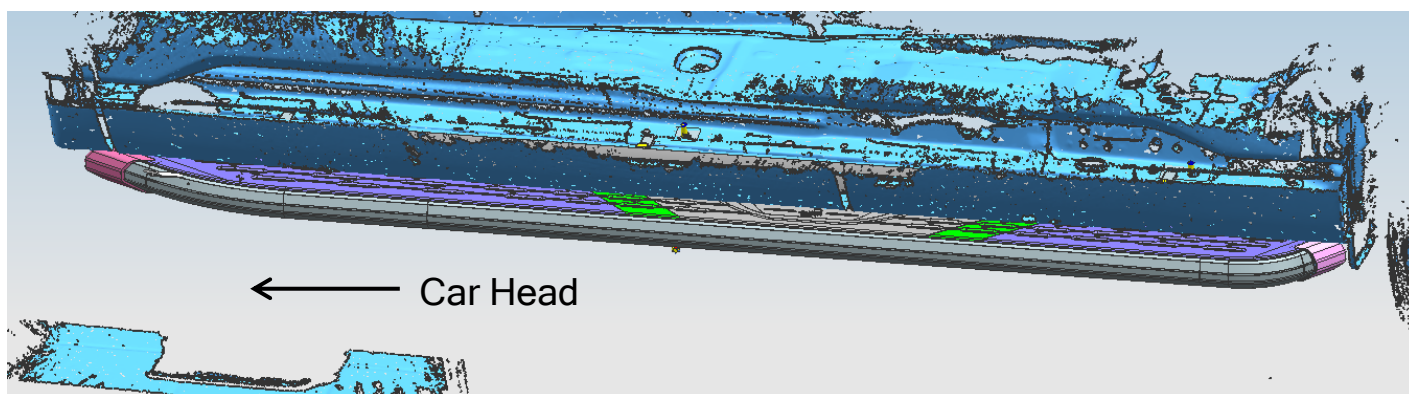




Step 3: Attach running boards on the brackets with Hex nuts M6 and Flat washers D6.



Complete installation.



**NOTE**

Any damages and losses caused by improper installation and application, goes beyond our quality warranty.