



INSTALLATION INSTRUCTIONS RUNNING BOARD BRACKET

2019	2021	Hyundai	Tucson
-------------	-------------	----------------	---------------

PART # PIHY170

- **866-926-2867**
- Email: info@blackhorseoffroad.com
- Mon-Fri 9AM-6PM EST
- **Headquarters**
- 39 ST. MARY'S PLACE FREEPORT, NY 11520

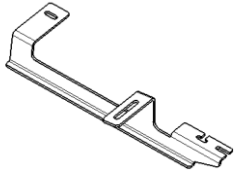
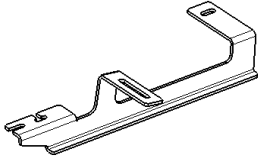
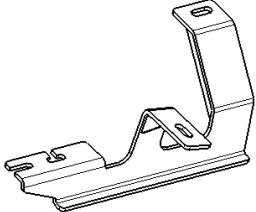
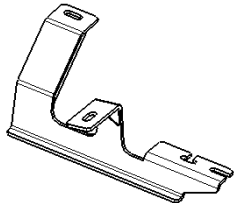
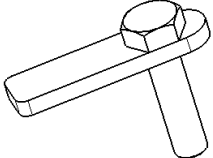
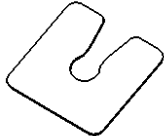
Before Installation

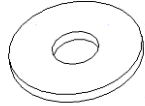
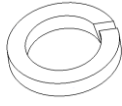

- Please read the instruction completely for easy installation, which will also help you to avoid scratches or other potential damages to your appealing car.
- The information shown here is for reference only and may differ from the product that you receive, however the goods are fitted in the same way.

Care and Cleaning

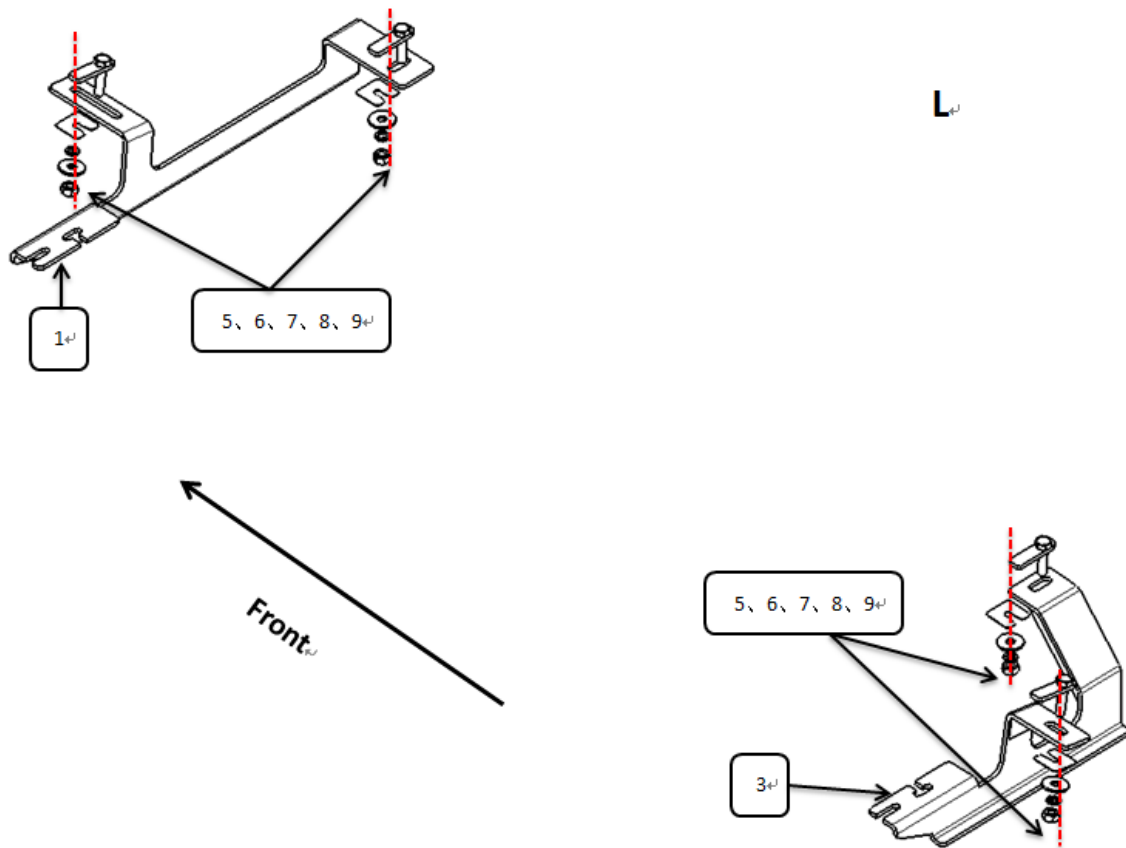
- Mild soap may be used also to clean the Product.
- Please periodically check and retighten all the hardware and clean the investment for a refresh look.

Parts list

NO.	QTY	PICTURE	NO.	QTY	PICTURE
①	1	 Front Bracket (L)	②	1	 Front Bracket (R)
③	1	 Rear Bracket (L)	④	1	 Rear Bracket (R)
⑤	8	 T-HEXAGON BOLT M10*40	⑥	8	 PVC M10

⑦	8	 Large Washer D10	⑧	8	 Spring Washer D10
⑨	8	 Hex Nut M10			

Installation Fig.



Step 1: Verify that all parts are present according to the manual.

Step 2: Install the brackets and running board on the bottom of vehicle as above picture

Step 3: Check the running board if it install correctly, then tighten all the hardware.

Step 4: Installation is finished, pick up all tools.

NOTE

Any damages and losses caused by improper installation and application, goes beyond our quality warranty.