



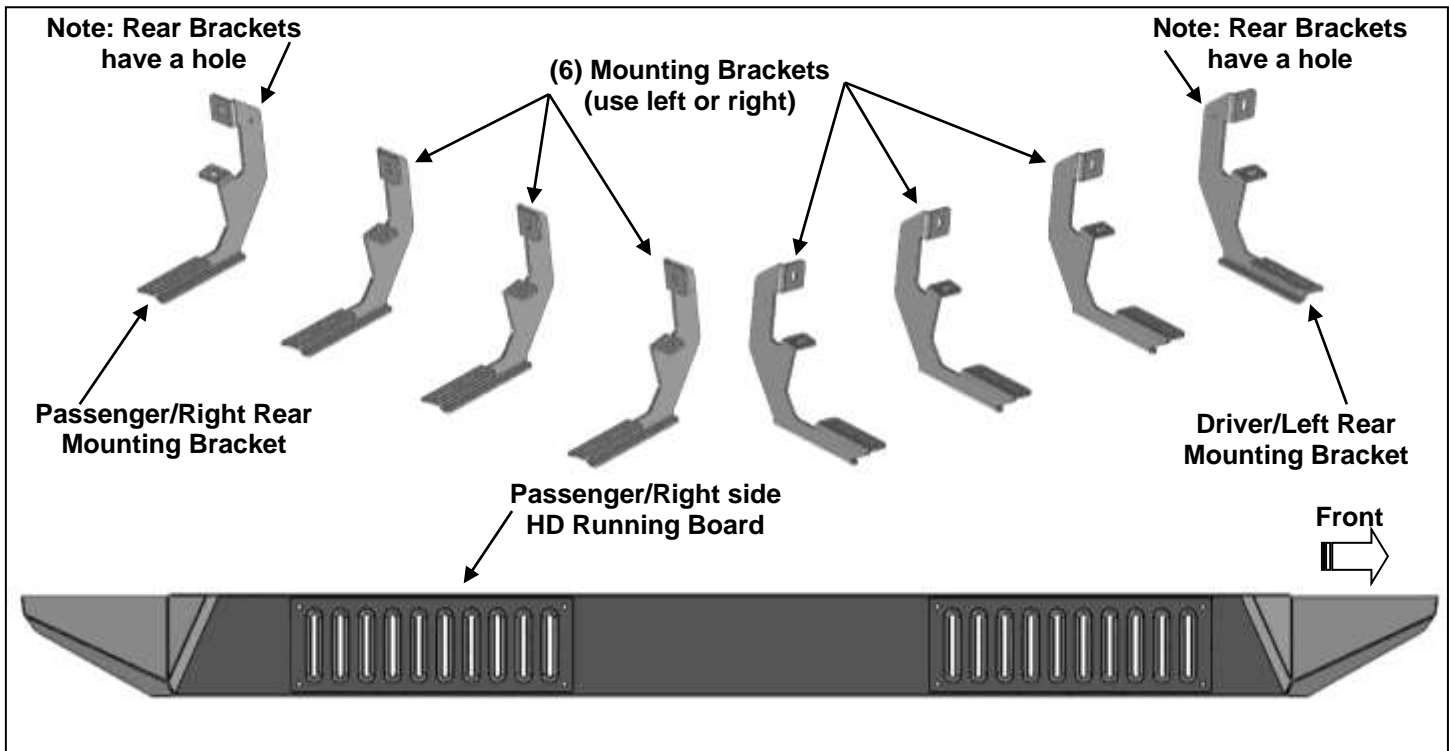
INSTALLATION INSTRUCTIONS

**PEERLESS RUNNING BAORD
FOR 19-20 SILVERADO 1500 CREW CAB
(Incl. Diesel models with DEF tanks) (Rocker Panel Mount)**

PART # PR-G485BK

PARTS LIST:

6	Mounting Brackets	16	8mm Lock Washers
1	Driver/Left Rear Mounting Bracket	16	8mm x 24mm x 2mm Flat Washers
1	Passenger/Right Rear Mounting Bracket	8	6mm x 30mm Double Bolt Plates
16	8-1.25mm x 30mm Hex Bolts	16	6mm x 22mm x 2mm Flat Washers
16	6mm Hex Nuts	16	6mm Lock Washers



PROCEDURE:

REMOVE CONTENTS FROM BOX. VERIFY ALL PARTS ARE PRESENT. READ INSTRUCTIONS CAREFULLY BEFORE STARTING INSTALLATION. ASSISTANCE IS RECOMMENDED.

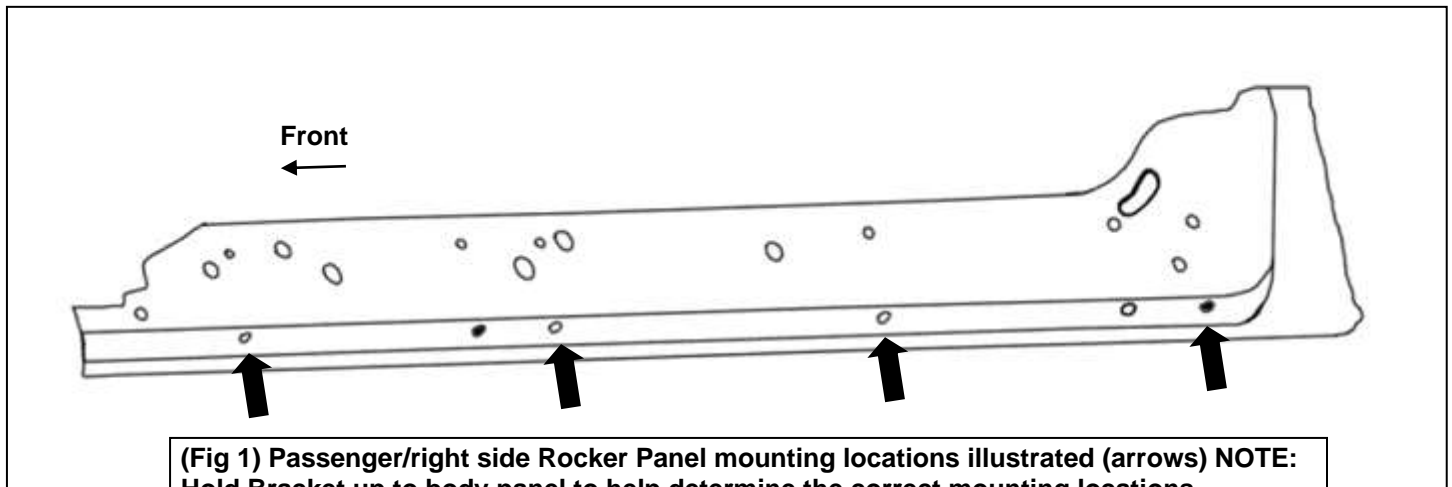
1. Start the installation under the Passenger/Right side of the vehicle. Locate the 6 plugs along the bottom edge of the body. Mounting Brackets will bolt to the 1st, 3rd, 4th and 6th threaded mounting holes, **(Figures 1—6)**. Remove the plastic plugs from each mounting location. Directly above each threaded insert is a top mounting location on the side of the rocker panel. Hold a Bracket up in place to help determine the correct mounting holes to use along the panel. **NOTE:** Thread an 8mm Hex Bolt into the threaded inserts to clear paint as required.
2. Select (1) Mounting Bracket. Starting at the front of the Passenger/Right side, bolt the Mounting Bracket to the factory threaded holes with (2) 8mm Hex Bolts, (2) 8mm Lock Washers and (2) 8mm Flat Washers, **(Figure 7)**. Do not tighten hardware at this time.
3. Repeat **Steps 1 & 2** to install the 2nd and 3rd Mounting Brackets along the rocker panel. **IMPORTANT: The Rear Mounting Brackets are similar to the other brackets, use the small hole to determine the brackets, (Figure 8).**
4. Select the Passenger/Right side Running Board. Use the illustration above to help determine the correct Running Board. **NOTE:** The front stepping pad is closer to the front end of the Running Board. Place the Running Board on top of the Brackets. **IMPORTANT:** Do not slide, (front to back), the Running Board on the Brackets or damage to the finish may result.
5. Locate the channel opening in the bottom of the Running Board. Select (3) 6mm Double Bolt Plates, **(Figure 9)**. Insert the Bolt Plates into the channel in the bottom of the Running Board closest to the Brackets, **(Figure 10)**. Lift the Running Board up and guide the studs through the Brackets.

PEERLESS RUNNING BOARD FOR 19-20 SILVERADO 1500 CREW CAB (Incl. Diesel models with DEF tanks) (Rocker Panel Mount)

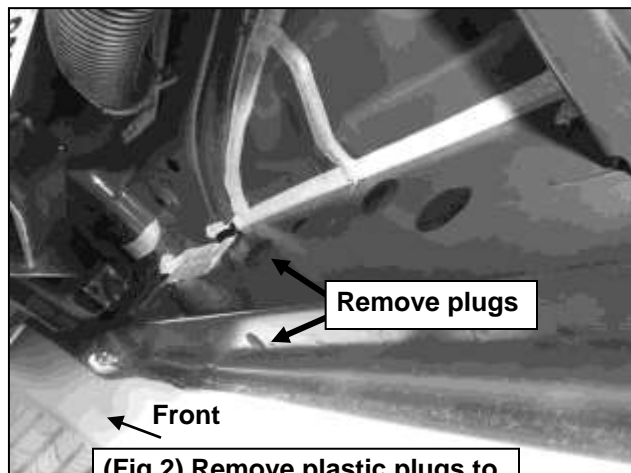
6. Attach the Running Board to the Brackets with (8) 6mm Flat Washers, (8) 6mm Lock Washers and (8) 6mm Hex Nuts, **(Figures 11 & 12)**.
7. Level and adjust the Running Board and fully tighten all hardware.
8. Repeat **Steps 1—7** to install the remaining Driver/Left side Running Board.
9. Do periodic inspections to the installation to make sure that all hardware is secure and tight.

To protect your investment, Do not use any type of polish or wax that may contain abrasives that could damage the finish. Mild soap may be used also to clean the Running Board.

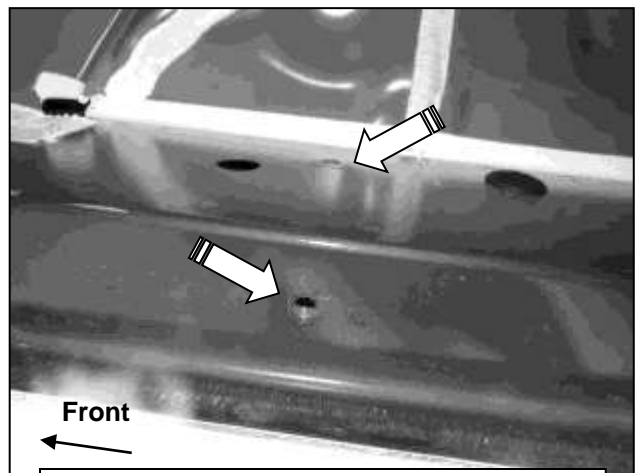
Passenger/Right side Installation Pictured



(Fig 1) Passenger/right side Rocker Panel mounting locations illustrated (arrows) NOTE: Hold Bracket up to body panel to help determine the correct mounting locations.

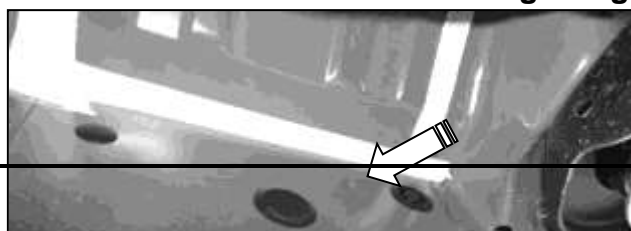


(Fig 2) Remove plastic plugs to uncover threaded inserts

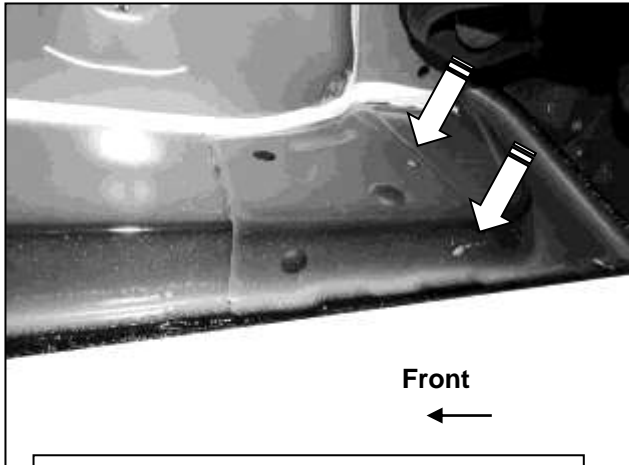


(Fig 3) Passenger front mounting location

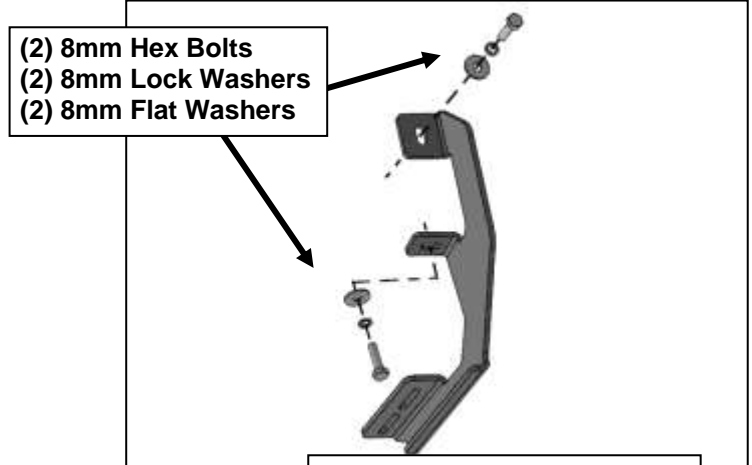
Passenger/Right side Installation Pictured



(Fig 4) Passenger 2nd mounting location

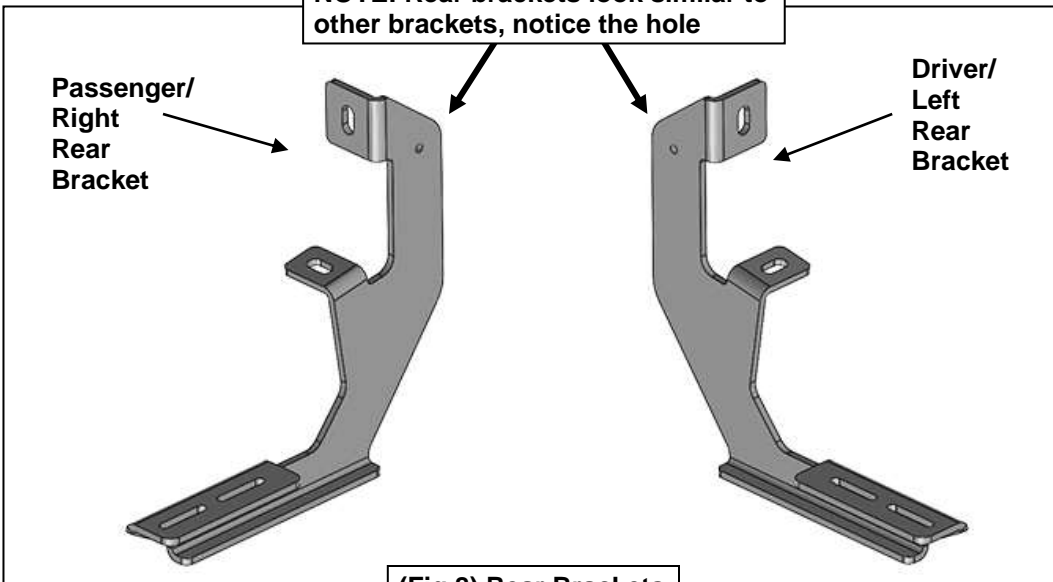


(Fig 6) Passenger rear mounting location



(Fig 7) 1st, 2nd and 3rd Mounting Bracket illustrated

NOTE: Rear brackets look similar to other brackets, notice the hole

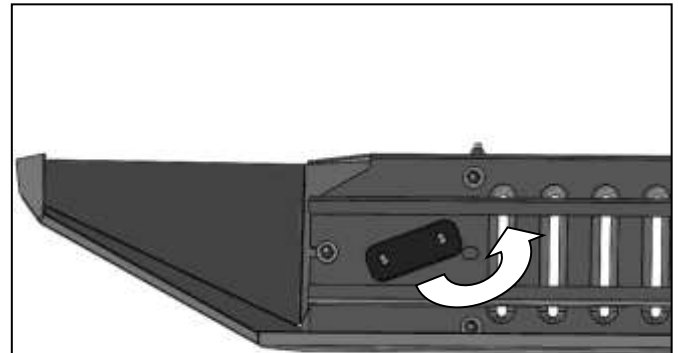


(Fig 8) Rear Brackets

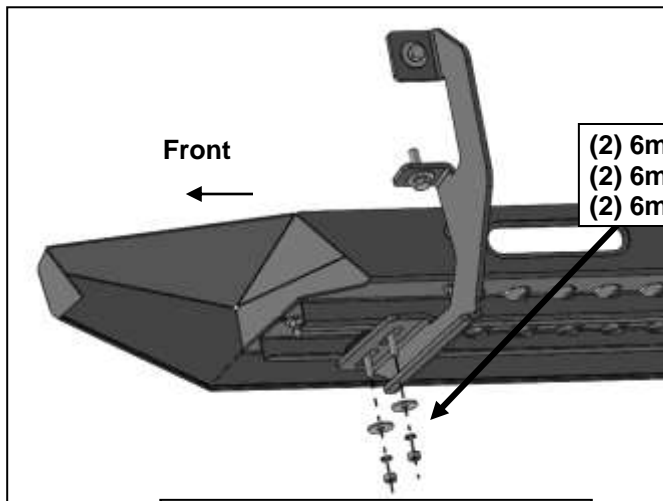
Passenger/Right side Installation Pictured



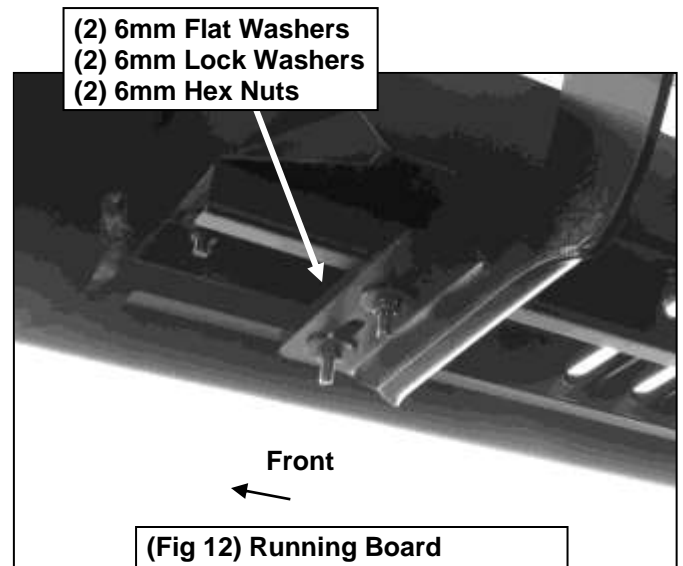
(Fig 9) 6mm Double Bolt Plate



(Fig 10) Insert 6mm Double Bolt Plate through the channel in the bottom of the Running Board



(Fig 11) Front of Running Board attached to Mounting Bracket



(Fig 12) Running Board attached to Mounting Bracket