



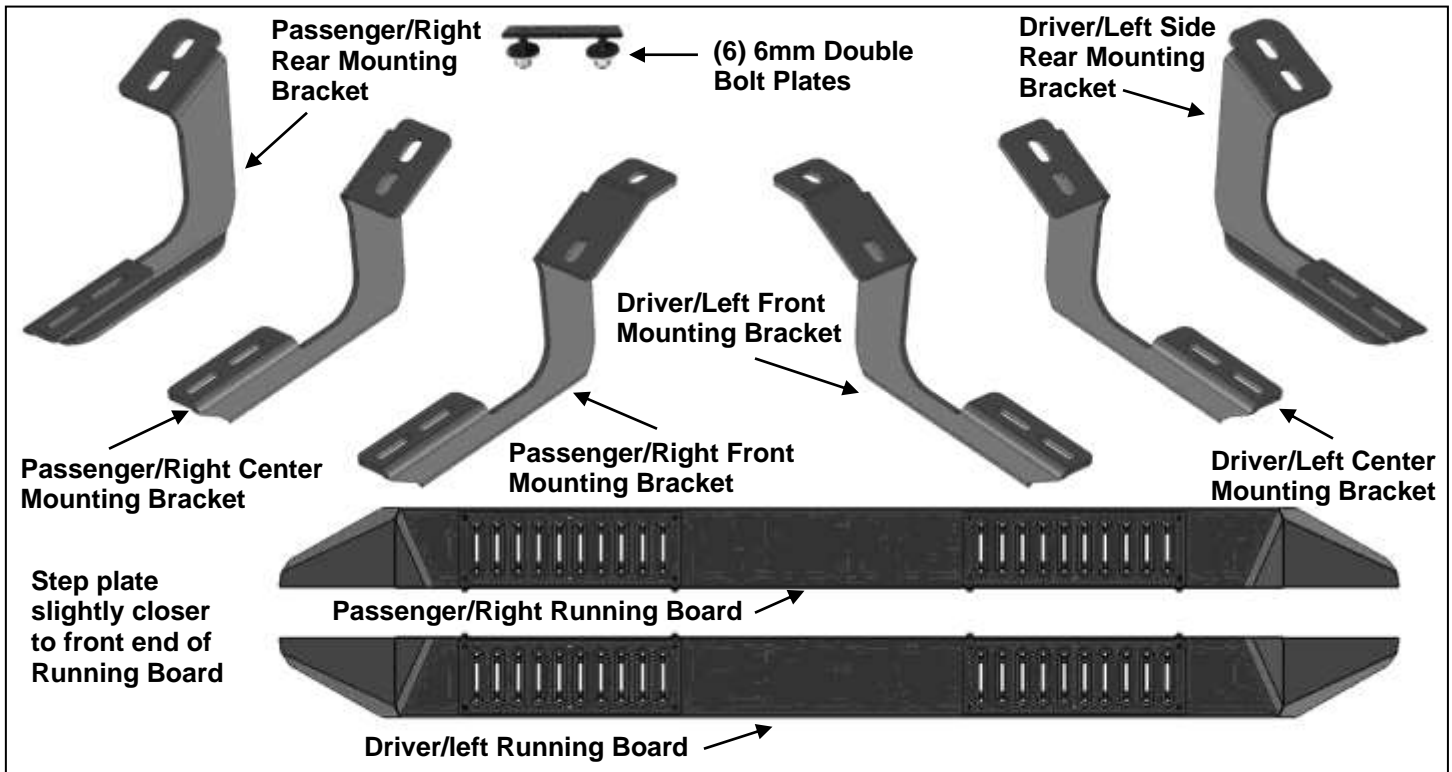
# INSTALLATION INSTRUCTIONS

**PREMIUM RUNNING BAORD  
FOR 07-20 TUNDRA CREW MAX**

**PART # PR-T691**

**PARTS LIST:**

1	Driver/Left Front Mounting Bracket	12	8-1.25 x 25mm Hex Bolt
1	Passenger/Right Front Mounting Bracket	12	8mm x 28mm OD x 3mm Flat Washers
1	Driver/Left Center Mounting Bracket	12	8mm Lock Washers
1	Passenger/Right Center Mounting Bracket	6	6mm Double Bolt Plates
1	Driver/Left Rear Mounting Bracket	12	6mm x 22mm OD x 2mm Flat Washers
1	Passenger/Right Rear Mounting Bracket	12	6mm Lock Washers
12	6mm Hex Nuts		



**PROCEDURE:**

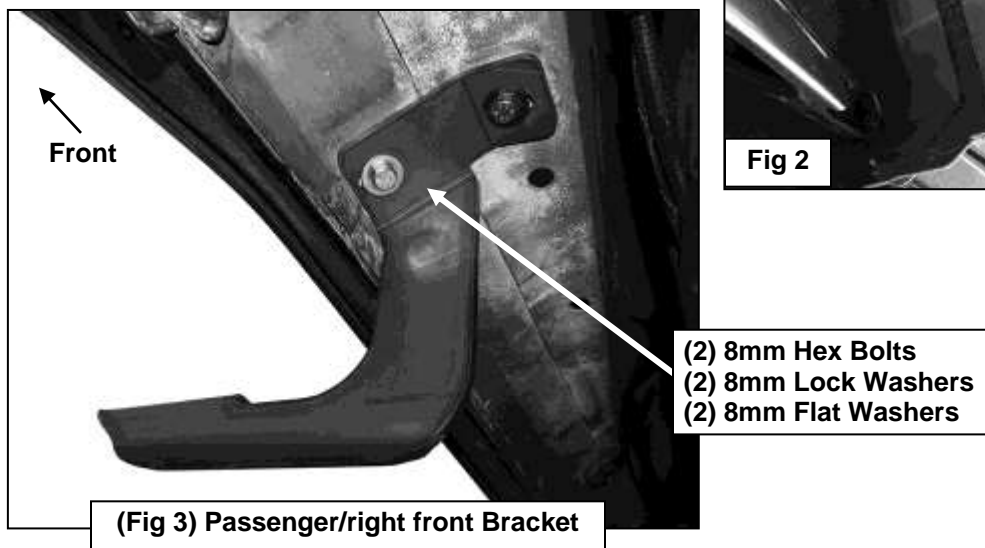
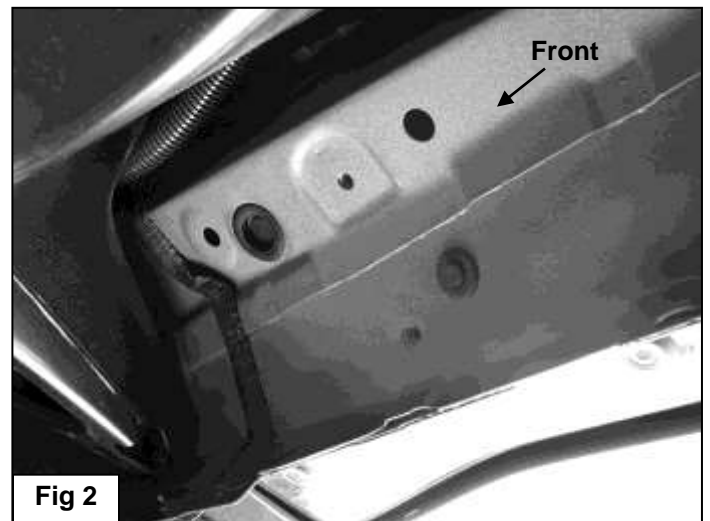
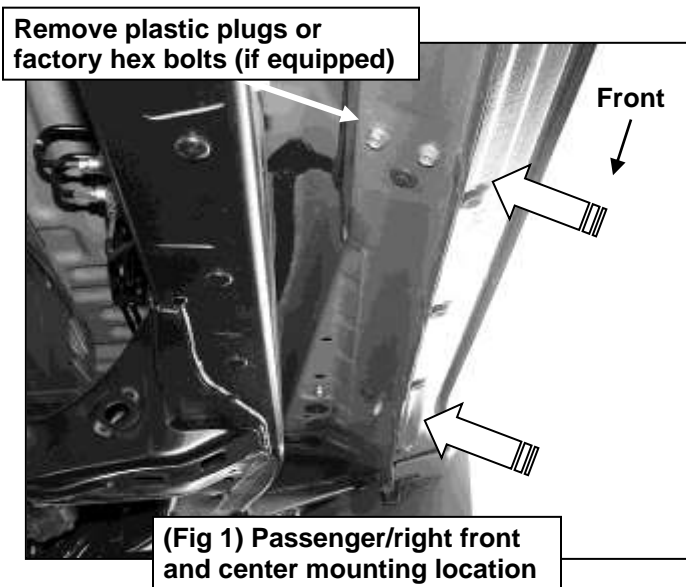
- 1. REMOVE CONTENTS FROM BOX. VERIFY ALL PARTS ARE PRESENT. READ INSTRUCTIONS CAREFULLY. USE ILLUSTRATION TO IDENTIFY BRACKETS AND RUNNING BOARDS.**
- Starting on the passenger side front of the vehicle, remove the plastic plugs or hex bolts covering the (2) threaded holes in the body panel, **(Figures 1 & 2)**. Select the passenger side front Mounting Bracket, **(Figure 3)**. Attach the Bracket to the vehicle using the included (2) 8mm x 25mm Hex Bolts, (2) 8mm Lock Washers and (2) 8mm Flat Washers. Do not tighten hardware at this time.
- Next, select the passenger side center Mounting Bracket, **(with notch-Figure 4)**. **IMPORTANT:** The Center, (with notch), and Rear Brackets look similar but each one is unique. Use the picture above and **Figure 4** to help identify each Bracket. Repeat **Step 2** to install the center Mounting Bracket, **(Figure 5)**. **NOTE:** The Tundra has (4) mounting locations along the bottom of the body. **Installation will use the 1st, 2nd and 4th** mounting locations only for the Running Board Brackets.
- Continue to the last mounting location at the back of the cab, **(Figure 6)**. Repeat **Step 2** to install the passenger side rear Bracket, **(Figures 4 & 7)**. When properly installed, the cradles on the front and center Brackets will face the rear, the rear Bracket only will face forward.
- Once all (3) Brackets have been fully installed, select the passenger side Running Board.
- Place the Running Board on top of the Brackets. Locate the channels in the bottom of the Running Board. Select (3) 6mm Double Bolt Plates. Insert the Bolt Plates into the channels in the bottom of the Running Board closest to the Brackets, **(Figure 8)**. Lift the Running Board up and guide the studs down through the Brackets.

7. Attach the Running Board to the Brackets with (6) 6mm Flat Washers, (6) 6mm Lock Washers and (6) 6mm Hex Nuts, **(Figures 9—11)**. **NOTE:** The Running Board is designed to fit close to the vehicle. It may be necessary to loosen the Bracket hardware slightly and tilt the Brackets downward to insert the Running Board between the Brackets and the body.
8. Slide the Running Board all the way forward and in/out as desired. **IMPORTANT:** Do not allow the front of the Running Board to come in contact with the bottom of the body. Leave minimum 5mm gap between the back fill panel on the Running Board and the bottom of the body. Level and adjust the Running Board as necessary and fully tighten all hardware.
9. Repeat **Steps 2—8** for driver side Running Board installation.
10. Do periodic inspections to the installation to make sure that all hardware is secure and tight.

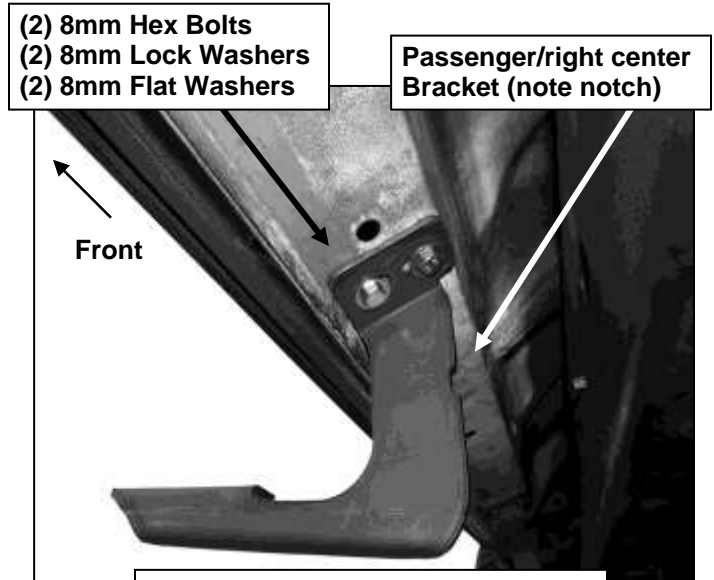
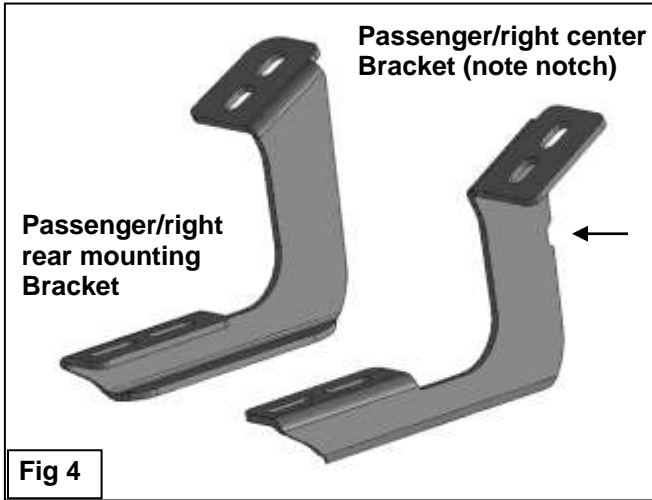
To protect your investment, wax this product after installing. Regular waxing is recommended to add a protective layer over the finish. Do not use any type of polish or wax that may contain abrasives that could damage the finish.

For gloss black finishes: Mild soap may be used to clean the Running Board.

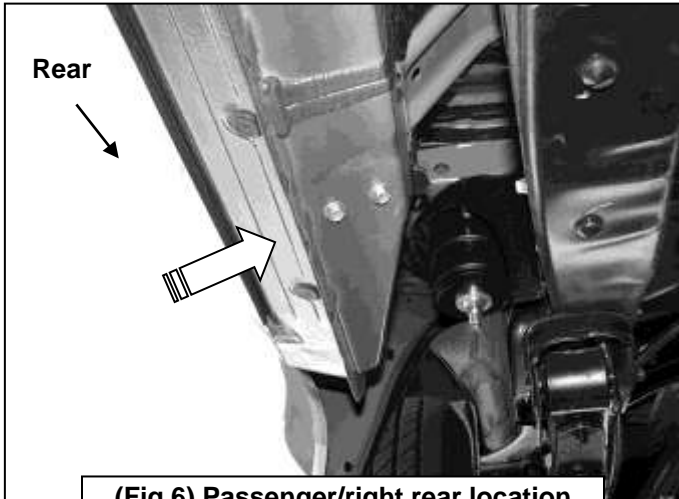
### Passenger Side Installation Pictured



### Passenger Side Installation Pictured



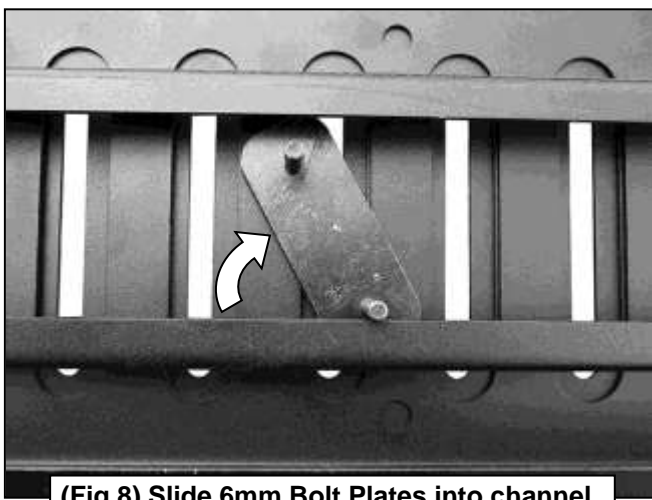
(Fig 5) Passenger/center mounting Bracket installed (note notch)



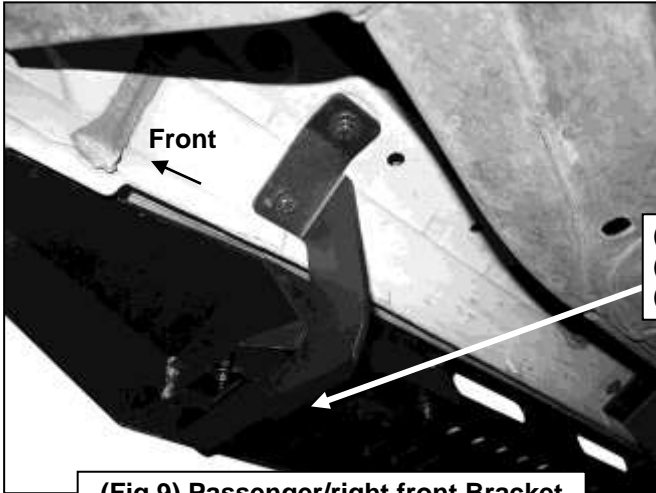
(Fig 6) Passenger/right rear location



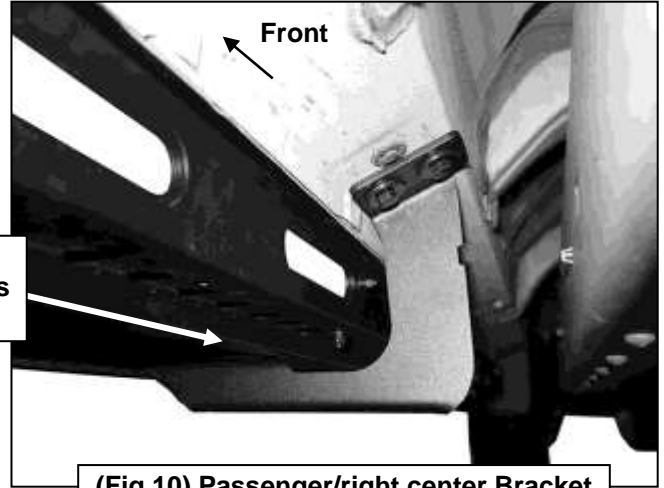
(Fig 7) Passenger/right rear Bracket installed



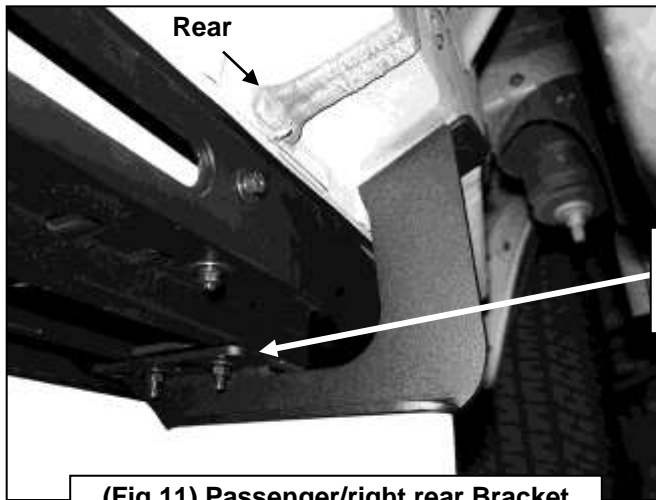
### Passenger Side Installation Pictured



(Fig 9) Passenger/right front Bracket



(Fig 10) Passenger/right center Bracket



(Fig 11) Passenger/right rear Bracket



Complete Installation