



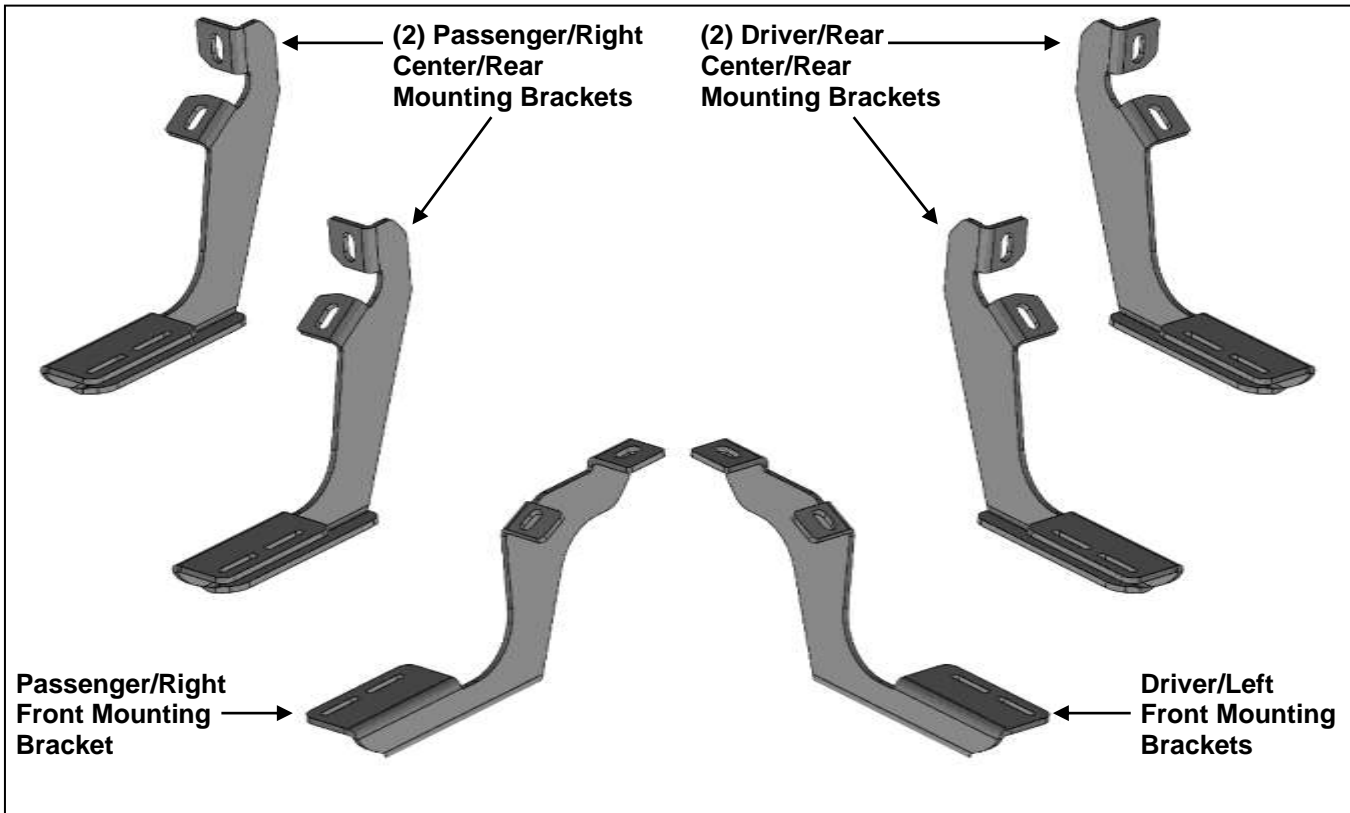
INSTALLATION INSTRUCTIONS

**TRANSPORTER RUNNING BOARD
FOR 19-20 FORD RANGER SUPER CAB**

PART # TR-F178S

PARTS LIST:

1	Driver/Left Front Bracket	12	10mm x 27mm x 3mm Flat Washers
1	Passenger/Right Front Bracket	12	10mm Lock Washers
2	Driver/Left Center/Rear Brackets	6	6mm x 1.0mm x 30mm Double Bolt Plates
2	Passenger/Right Center/Rear Brackets	12	6mm x 22mm x 2mm Flat Washers
12	10-1.5mm x 25mm Hex Bolts	12	6mm Lock Washers
12	6mm Hex Nuts		



PROCEDURE:

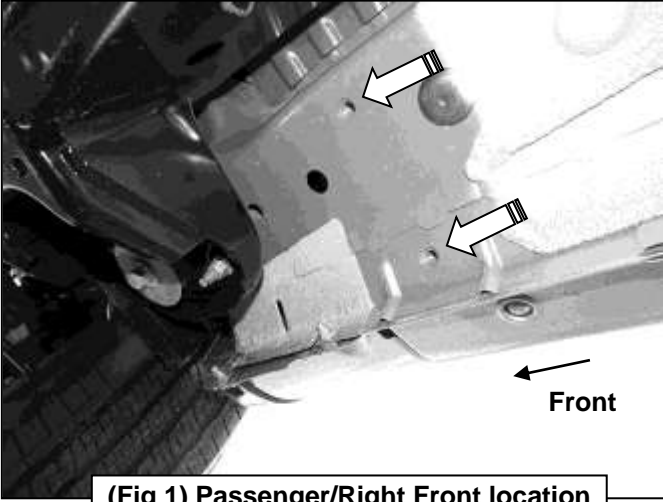
REMOVE CONTENTS FROM BOX. VERIFY ALL PARTS ARE PRESENT. READ INSTRUCTIONS CAREFULLY BEFORE STARTING INSTALLATION. ASSISTANCE IS RECOMMENDED.

1. Start the installation under the Passenger/Right side of the vehicle. Locate the front factory mounting location along the inner side of the body, **(Figure 1)**.
2. Remove the plastic plugs covering the mounting holes. Select Passenger/Right Front Mounting Bracket. Attach to Passenger/Right front location with (2) 10mm x 25mm Hex Bolts, (2) 10mm Lock Washers and (2) 10mm Flat Washers **(Figures 2 & 3)**. Do not tighten at this time.
3. Locate the Center threaded mounting holes. Select (1) Center/Rear Mounting Bracket. Attach with (2) 10mm x 25mm Hex Bolts, (2) 10mm Lock Washers and (2) 10mm Flat Washers, **(Figures 4—6)**. Do not tighten at this time.
4. Repeat **Step 3** to install Passenger/Right Rear Mounting Brackets, **(Figures 5 & 7)**.
5. Carefully unwrap and select the Passenger/Right Running Board.
6. Place the Running Board on top of the Brackets. Locate the channel in the bottom of the Running Board. Select (3) 6mm Double Bolt Plates. Insert the Bolt Plates into the channel in the bottom of the Running Board, slide plates to line up with the slots in the Mounting Brackets, **(Figure 8)**. Lift the Running Board up and guide the studs down through the Brackets.
7. Attach the Running Board to the Brackets with (6) 6mm Flat Washers, (6) 6mm Lock Washers and (6) 6mm Hex Nuts, **(Figure 9)**. Do not tighten hardware at this time.
8. Level and adjust the Running Board as necessary and fully tighten all hardware.
9. Repeat **Steps 1—8** for the Driver/Left side Running Board installation.

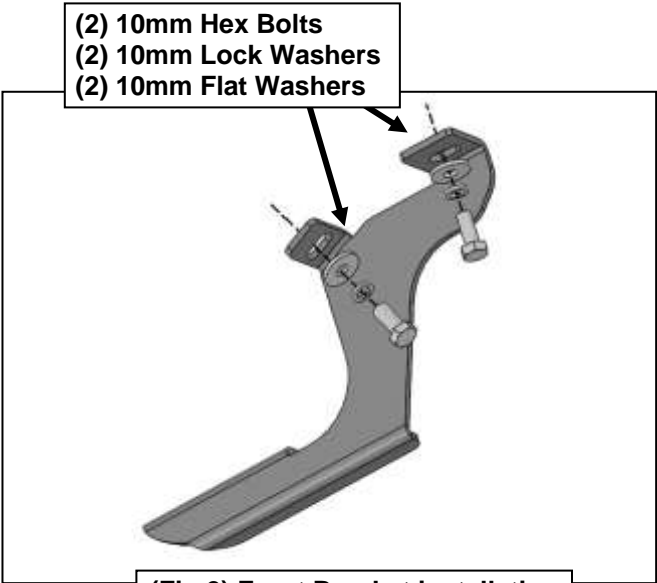
10. Do periodic inspections to the installation to make sure that all hardware is secure and tight.

To protect your investment, Do not use any type of polish or wax that may contain abrasives that could damage the finish. Mild soap may be used also to clean the Running Board.

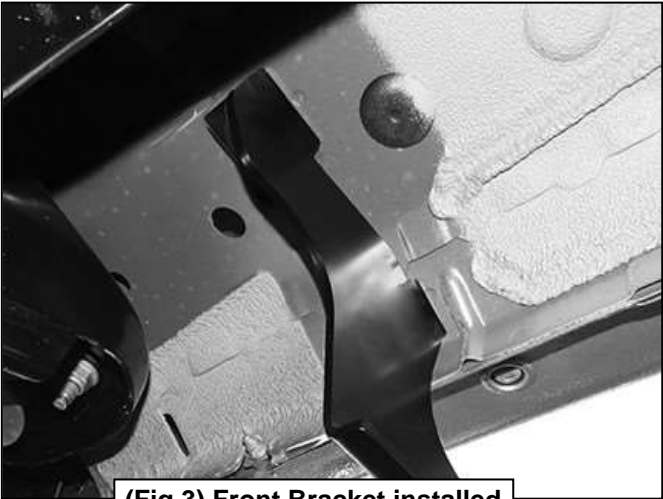
Passenger/Right Side Installation Pictured



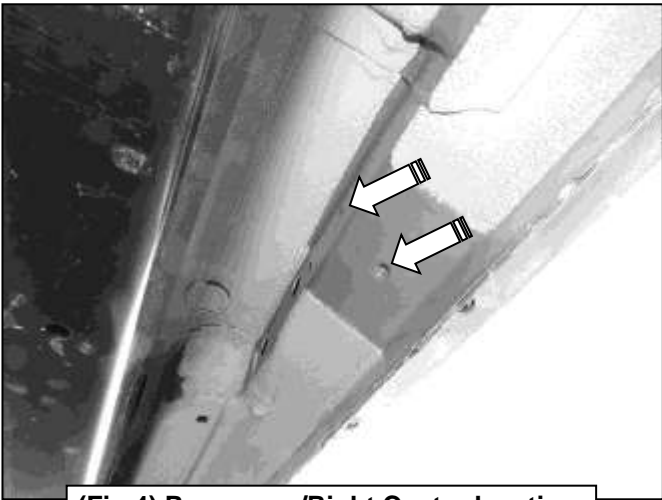
(Fig 1) Passenger/Right Front location



(Fig 2) Front Bracket installation

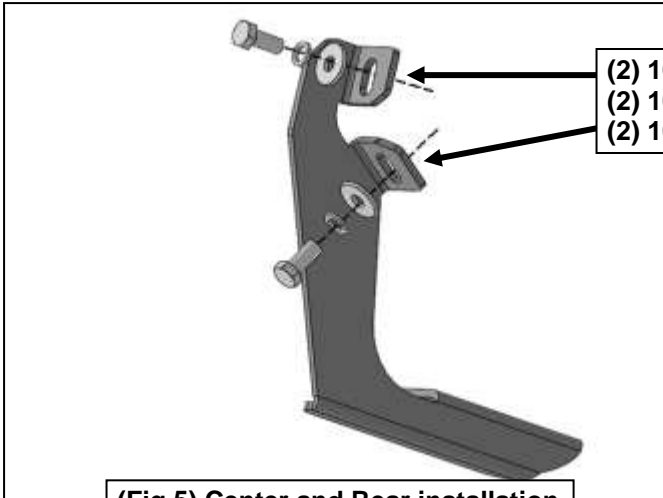


(Fig 3) Front Bracket installed



(Fig 4) Passenger/Right Center location

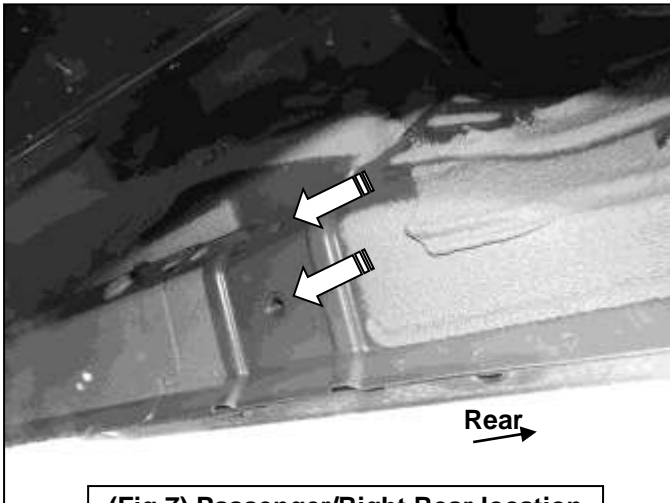
Passenger/Right Side Installation Pictured



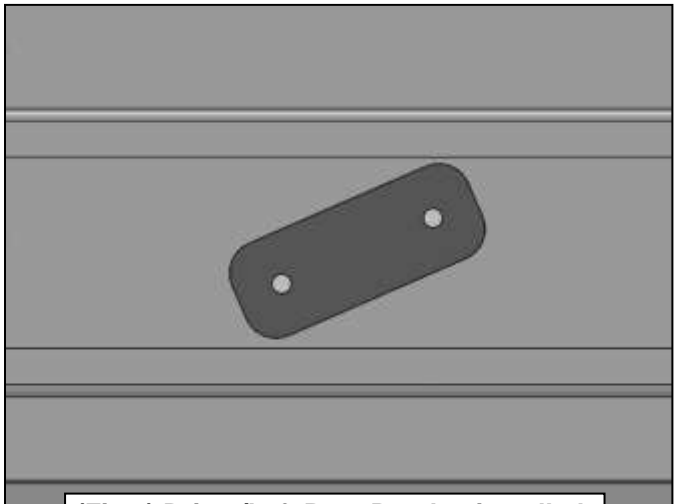
(Fig 5) Center and Rear installation



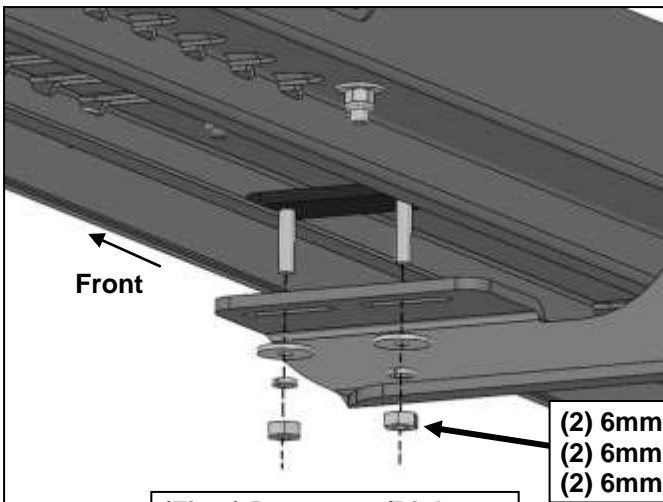
(Fig 6) Front Bracket installed



(Fig 7) Passenger/Right Rear location



(Fig 8) Driver/Left Rear Bracket installed



(Fig 9) Passenger/Right Running Board installation