



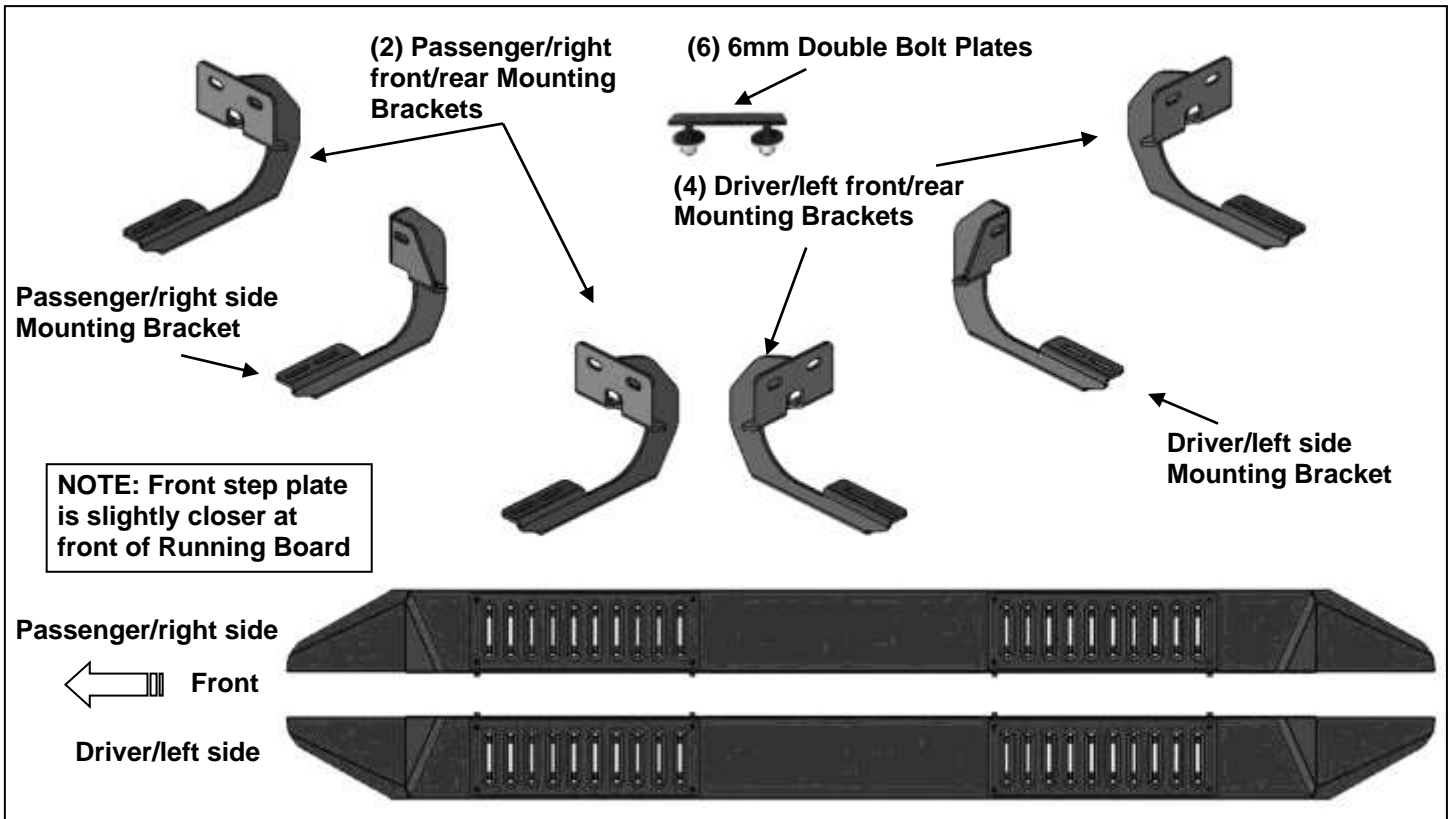
INSTALLATION INSTRUCTIONS

**TRANSPORTER RUNNING BAORD
FOR 09-14 F150 SUPERCREW CAB**

PART # TR-F391S

PARTS LIST:

2	Driver/left Front or Rear Mounting Brackets	10	8-1.25mm x 25mm Hex Bolts
2	Passenger/right Front or Rear Mounting Brackets	10	8mm x 28mm x 3mm Flat Washers
1	Driver/left Center Mounting Bracket	20	8mm x 24mm x 2mm Flat Washers
1	Passenger/right Center Mounting Bracket	20	8mm Lock Washers
10	8mm Deep Clip Nuts	6	6mm Double Bolt Plates
10	8-1.25mm x 30mm Hex Bolts	12	6mm x 22mm x 2mm Flat Washers
12	6mm Hex Nuts	12	6mm Lock Washers



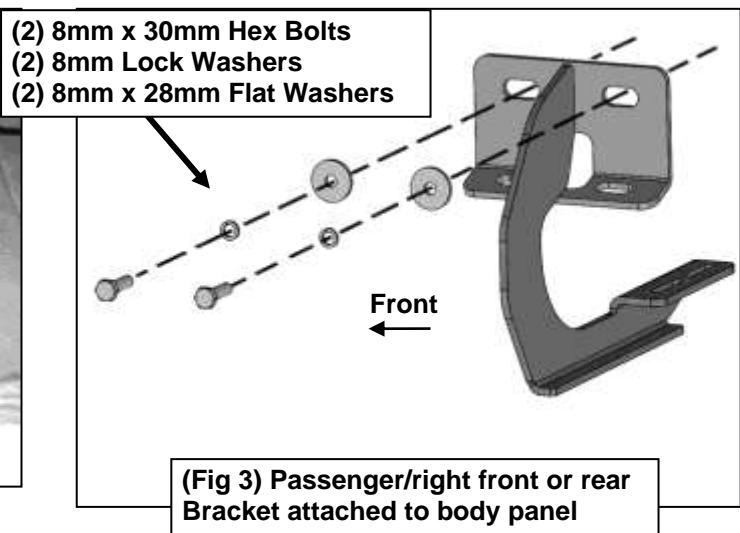
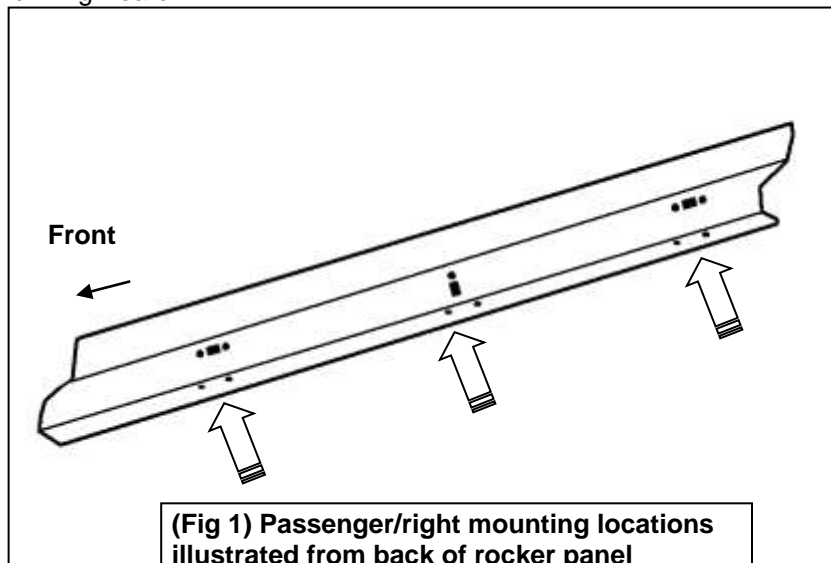
PROCEDURE:

- REMOVE CONTENTS FROM BOX. VERIFY ALL PARTS ARE PRESENT. READ INSTRUCTIONS CAREFULLY BEFORE STARTING INSTALLATION.**
- Starting on the passenger side of the vehicle, locate the (2) holes in the bottom of the body panel, (through pinch weld). Next locate the rectangular opening and (2) small holes in the inner body panel directly above the holes in the pinch weld, **(Figures 1 & 2)**. **NOTE:** The holes in the inner panel may be covered with sealing tape or insulation.
- Slide (2) 8mm Clip Nuts into the rectangular opening with the nut towards the inside. Line up the threaded nuts on the clip with the round holes toward the front of the vehicle, **(Figure 2)**. **NOTE:** If necessary, hold a mounting Bracket up in position to determine correct factory mounting holes to use.
- Select (1) Passenger/right front Mounting Bracket. Attach the Bracket to the (2) Clip Nuts with the included (2) 8mm x 30mm Hex Bolts, (2) 8mm Lock Washers and (2) 8mm x 28mm Large Flat Washers, **(Figure 3)**. Depending on model and year, the brake cable may be run on the inside or outside of the Bracket. Do not tighten hardware at this time.
- Align the bottom holes in the front Bracket with the (2) holes in the pinch weld. Attach the Bracket to the pinch weld using the included (2) 8mm x 25mm Hex Bolts, (4) 8mm x 24mm Small Flat Washers, (2) 8mm Lock Washers and (2) 8mm Hex Nuts, **(Figures 4 & 5)**. **NOTE:** Insert the bolts up from the bottom of the pinch weld and through the Bracket.
- Next, move toward the center of the vehicle. Locate the (2) holes in the pinch weld similar to the front location, **(Figures 1 & 6)**. Locate the rectangular slot and single round hole. Repeat **Steps 2—5** to

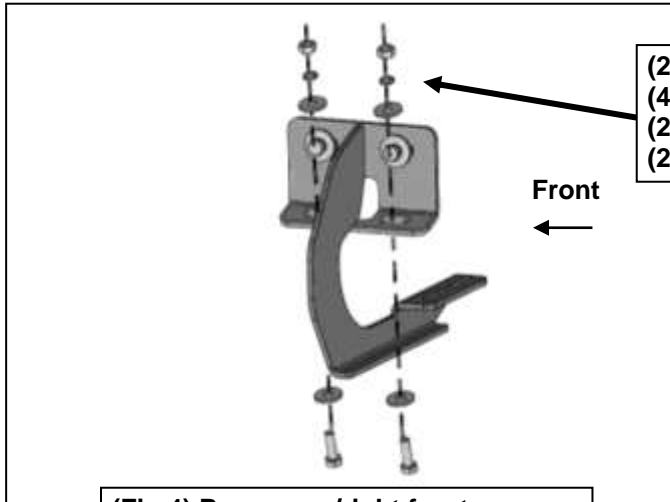
install the Passenger side Center Bracket, (**Figures 7 & 8**). **IMPORTANT:** The center Brackets look similar but each one is unique. Use the illustration above to determine the passenger center Bracket.

7. Continue along the cab to the rear mounting location. Locate the last (2) mounting holes in the pinch weld towards the back of the cab, (**Figure 1**). Repeat **Steps 2—5** to install the rear mounting Bracket.
8. Select the passenger side Running Board. Place the Running Board on top of the Brackets.
9. Select (3) 6mm Double Bolt Plates, (**Figure 9**). Locate the channels in the bottom of the Running Board. Insert the Bolt Plates into the channels in the bottom of the Running Board closest to the Brackets (**Figure 10**). Lift the Running Board up and guide the studs through the Brackets.
10. Attach the Running Board to the Brackets with (6) 6mm Flat Washers, (6) 6mm Lock Washers and (6) 6mm Hex Nuts, (**Figures 11 & 12**). **NOTE:** The Running Board is designed to fit close to the vehicle. It may be necessary to loosen the Bracket hardware and tilt the Brackets downward to insert the Running Board between the Brackets and the body. Do not tighten hardware at this time.
11. Level and adjust the Running Board as desired and tighten all hardware.
12. Repeat **Steps 2—11** for the passenger side Running Board installation.
13. Do periodic inspections to the installation to make sure that all hardware is secure and tight.

To protect your investment, wax this product after installing. Regular waxing is recommended to add a protective layer over the finish. Do not use any type of polish or wax that may contain abrasives that could damage the finish. Mild soap may be used to clean the Running Board.

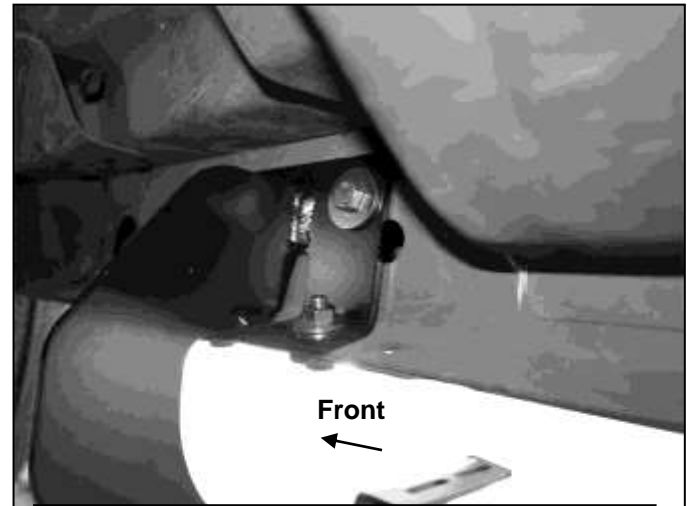


Passenger Side Installation Pictured



- (2) 8mm x 25mm Hex Bolts
- (4) 8mm x 24mm Small Flat Washers
- (2) 8mm Lock Washers
- (2) 8mm Hex Nuts

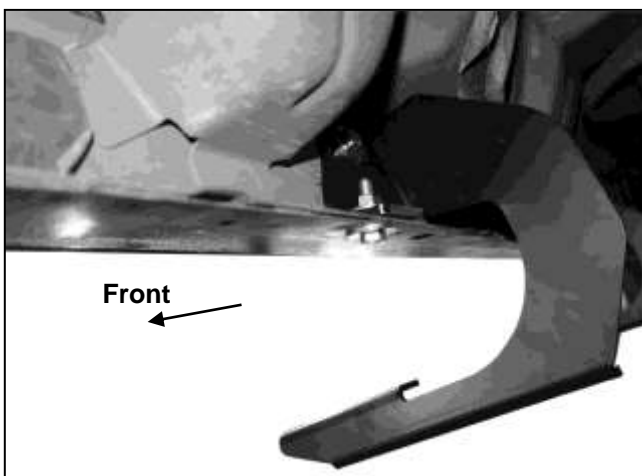
(Fig 4) Passenger/right front or rear Bracket attached to pinch weld



(Fig 5) Passenger/right front Bracket installed



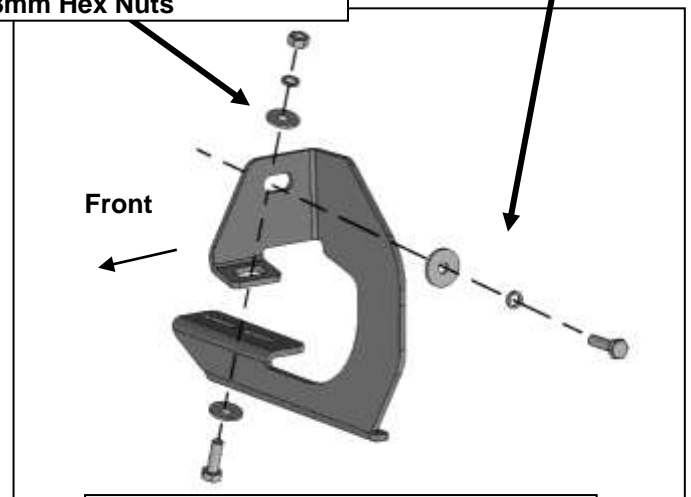
(Fig 6) Passenger/right center mounting location



(Fig 8) Passenger/right center Bracket installed

- (2) 8mm x 30mm Hex Bolts
- (2) 8mm Lock Washers
- (2) 8mm x 28mm Flat Washers

- (2) 8mm x 25mm Hex Bolts
- (4) 8mm x 24mm Flat Washers
- (2) 8mm Lock Washers
- (2) 8mm Hex Nuts

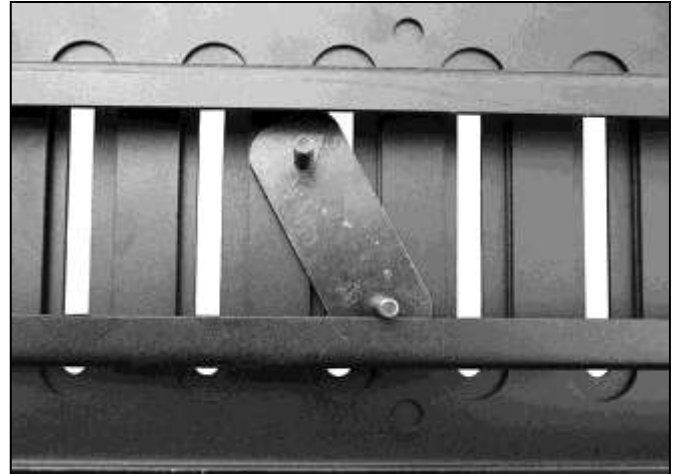


(Fig 7) Passenger/right center Bracket

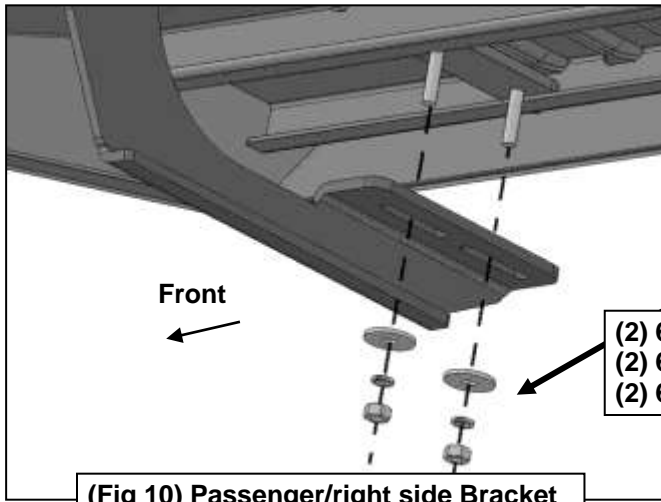
Passenger Side Installation Pictured



(Fig 9) 6mm Double Bolt Plate



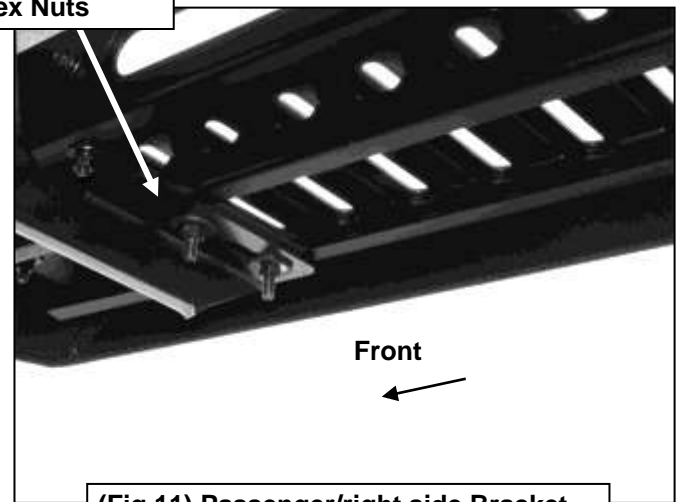
(Fig 10) Slide 6mm Double Bolt Plate into channels



Front
←

- (2) 6mm Flat Washers
- (2) 6mm Lock Washers
- (2) 6mm Hex Nuts

(Fig 10) Passenger/right side Bracket attached to Running Board illustrated



Front
←

(Fig 11) Passenger/right side Bracket attached to Running Board



Complete Installation