



TEL: 1-866-XANATOS

INSTALLATION INSTRUCTIONS

UNIVERSAL SENSOR RELOCATION KIT

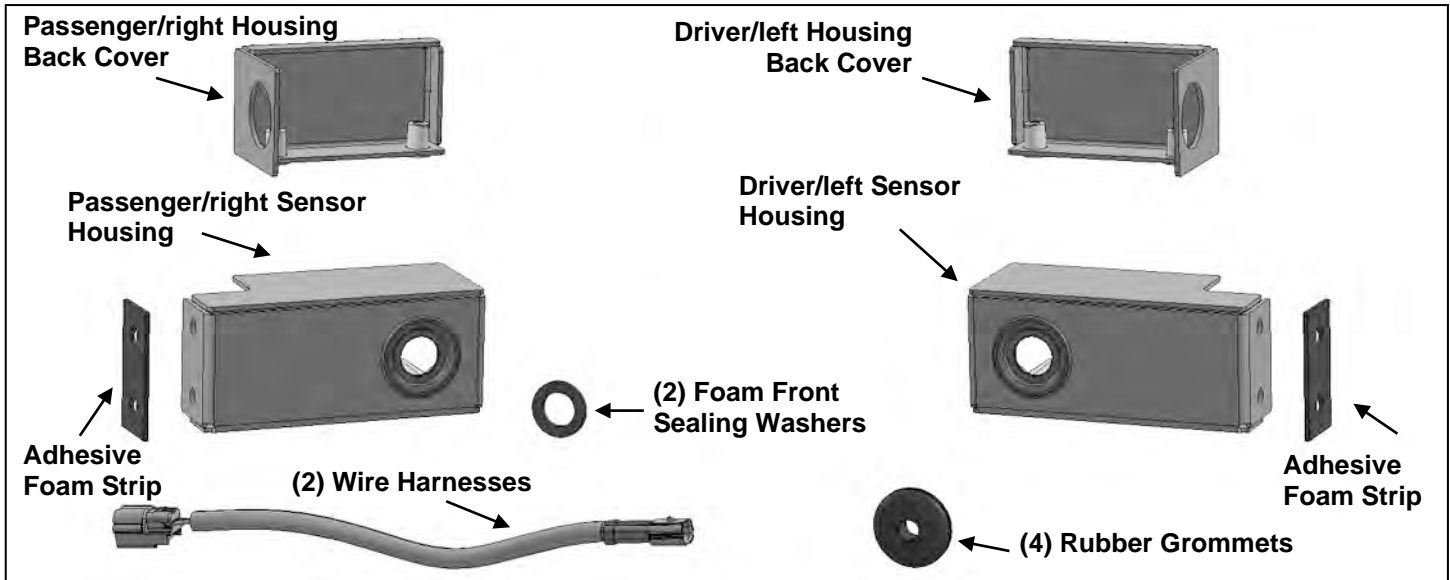
2022-2024 TOYOTA TUNDRA

2024 TOYOTA TACOMA

PART#GPS08S/GPS08B

Part List:

1	Driver/left Sensor Housing	2	15.5mm x 25mm x 2mm Sealing Washers
1	Passenger/right Sensor Housing	2	55mm x 30mm x 2mm Adhesive Foam Strips
1	Driver/left Housing Back Cover	8	6-1.00mm x 20mm Button Head Combo Bolts
1	Passenger/right Housing Back Cover	1	4mm Wrench
4	Rubber Grommets	2	Wire Extensions



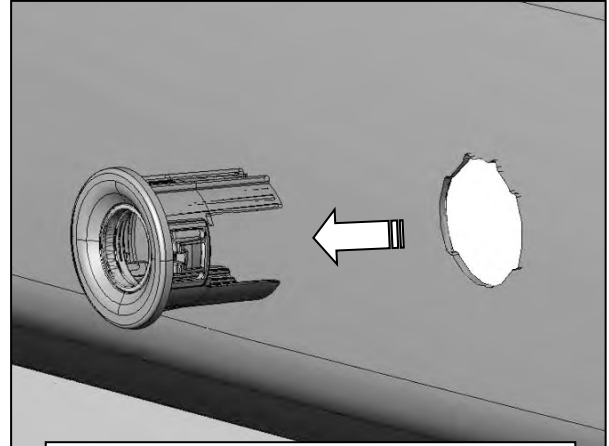
PROCEDURE:

READ INSTRUCTIONS CAREFULLY BEFORE STARTING INSTALLATION. THIS KIT IS UNIVERSAL AND MAY REQUIRE TRIMMING, SILICONE, OR OTHER MODIFICATIONS DEPENDING ON YOUR VEHICLE.

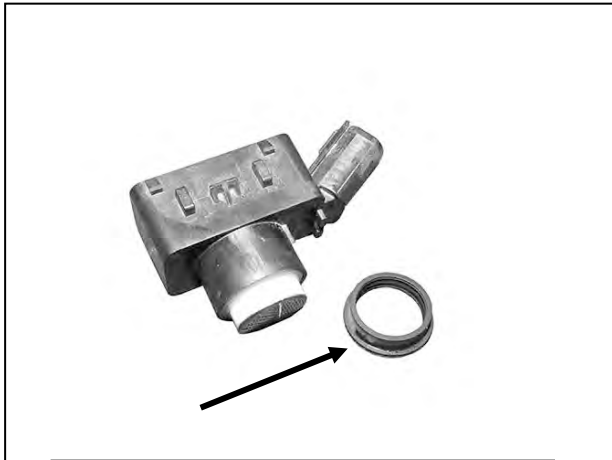
- Starting from under the front bumper, locate and unplug the two center parking sensors, **(Figure 1)**. Remove the two sensors from the bumper. Also remove the outer sensor retainers from the bumper, if equipped **(Figure 2)**. **IMPORTANT:** Depending on model/year, the bumper may need to be removed to access the sensors. Reinstall bumper after removing center sensors.
- Select (1) sensor. Remove the OE silicone seal from the sensor, **(Figure 3)**. Select (1) Foam Sealing Washer. Remove the adhesive backing. Slide the Foam Washer over the front of the sensor. **(Figure 4)**. Select the Driver/left Sensor Housing. Push the sensor with new foam seal into the sensor mount on the back of the Housing and snap into place **(Figure 5)**.
- Select (1) Wire Harness Extension and (2) Rubber Grommets. Slide the Grommets onto each end of the Wire Harness, **(Figure 6)**.
- Select the Driver/left Sensor Housing Back Cover, **(Figure 6)**. Push the larger “female” end of the harness through the hole in the Cover. Plug the end of the Harness into the sensor, **(Figure 7)**. Push the Rubber Grommet into the hole in the Cover. Attach the Cover to the Sensor Housing with the included (2) 6mm x 20mm Button Head Combo Bolts, **(Figure 8)**. Fully tighten this hardware only at this time. **NOTE:** Back cover will not be installed for some sensor designs with angled harnesses.
- Locate the (2) holes on the driver/left Grille Guard Upright. Select (1) Adhesive Foam Strip. Attach the adhesive side of the Foam Strip to the Sensor Housing, **(Figure 9)**.
- Attach the driver/left Sensor Housing assembly to the inside of the Grille Guard Upright with (2) 6mm Button Head Combo Bolts, **(Figure 9)**.
- Repeat **Steps 2—6** to assemble and install the passenger/right Sensor Housing assembly.
- Use the Rubber Grommet to seal the Wire Harness to the bumper, **(Figure 10)**.
- Properly level and adjust the Sensor Housing assembly and tighten all hardware.
- Do periodic inspections of the installation to make sure that all hardware is secure and tight.



(Fig 1) Unplug and remove OE center sensors from the back of the bumper



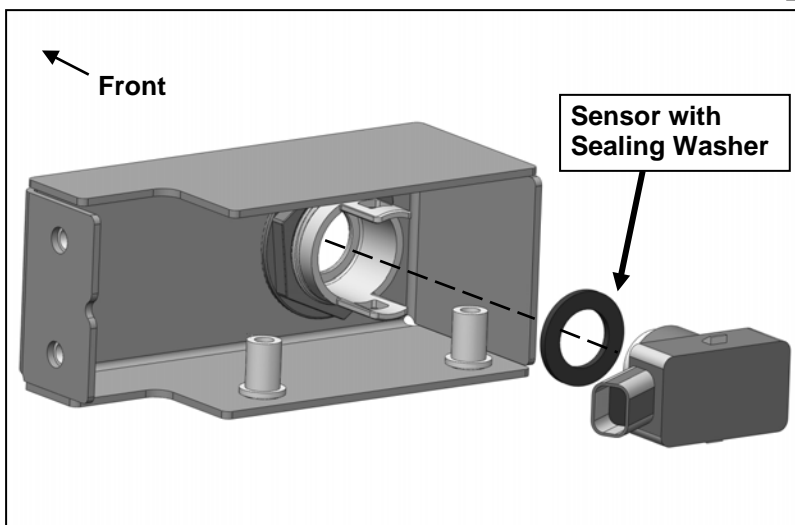
(Fig 2) Remove OE sensor retainer from bumper sensor hole (for example only)



(Fig 3) Remove OE seal from sensor.

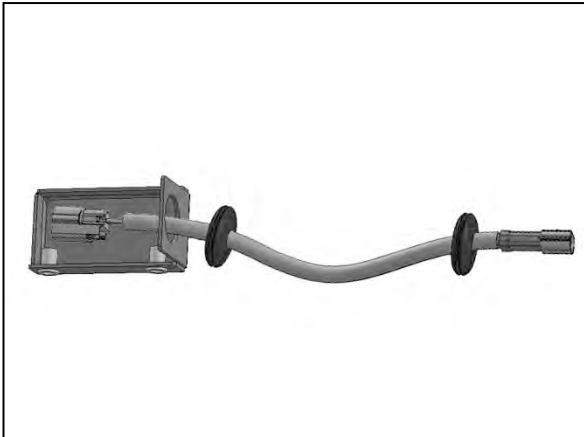


(Fig 4) Slide large Foam Seal over end of sensor

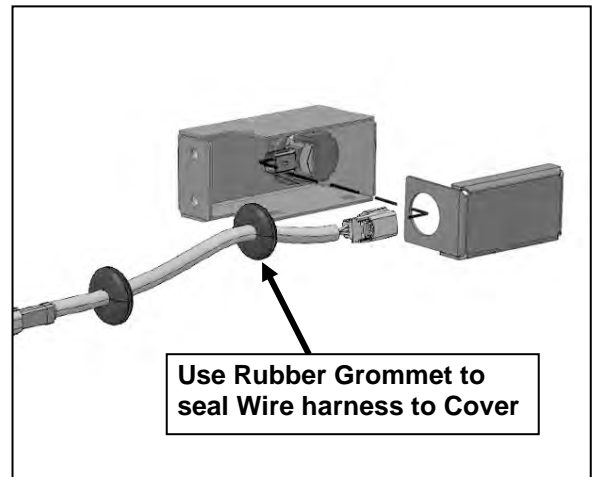


(Fig 5) Insert sensor with Seal into sensor mount on Driver/left Housing.

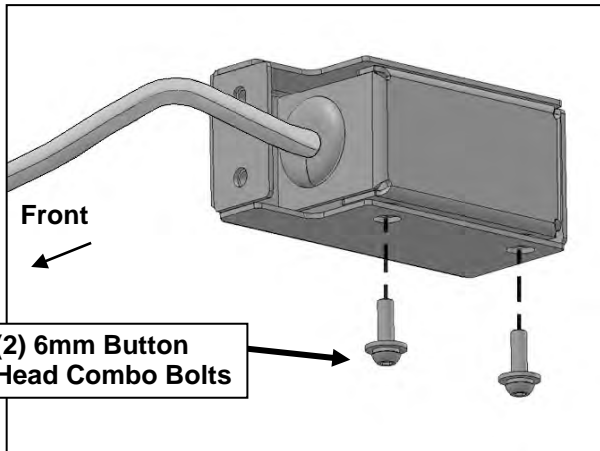
Driver/Left Side Installation Pictured



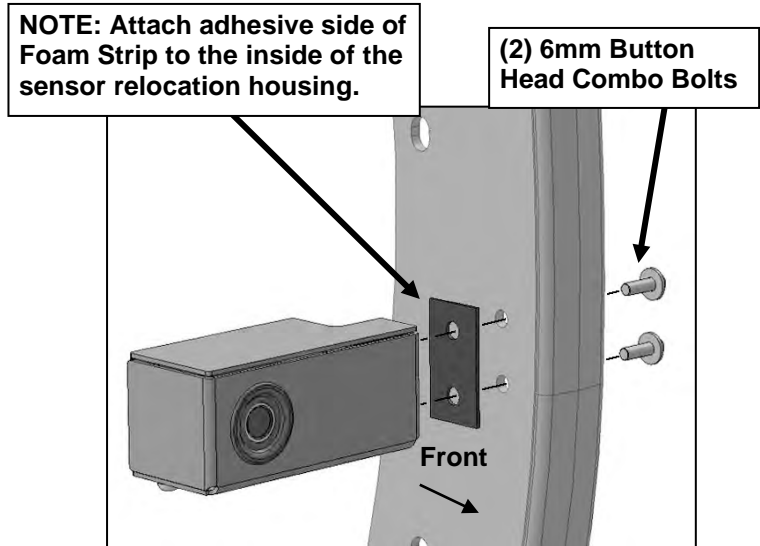
(Fig 6) Insert Harness Extension into Driver/left Back Cover and plug into sensor in Housing



(Fig 7) Plug Harness into sensor



(Fig 8) Attach Back Cover to Housing



(Fig 9) Attach Bracket Assembly to the inside of the Grille Guard Upright



(Fig 10) Push Rubber Grommet on Harness into sensor hole (Bumper used for Example Only)